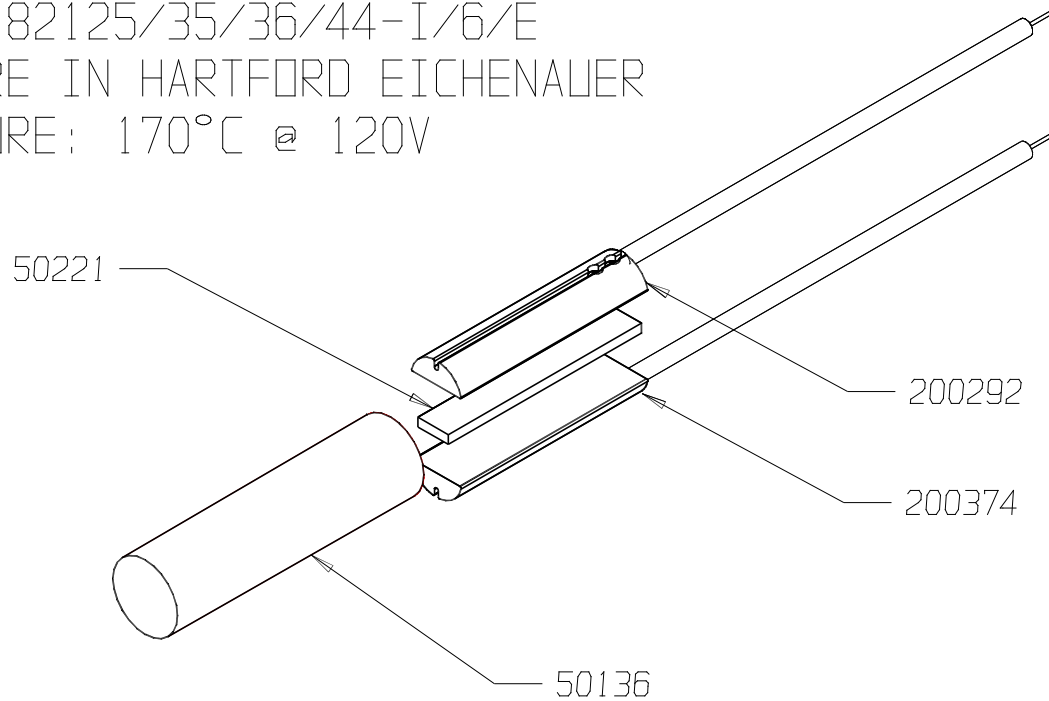


THIS DOCUMENT AND THE DATA DISCLOSED HEREIN OR HEREWITH IS NOT TO BE REPRODUCED, USED, OR DISCLOSED IN WHOLE OR IN PART TO ANYONE WITHOUT THE PERMISSION OF HARTFORD EICHENAUER, INC.

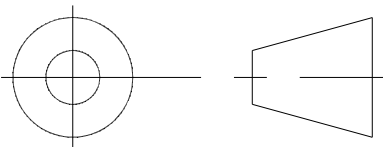
REVISIONS			
LTR/NO	DESCRIPTION	DATE	APPROVED
1	DRAWN ON CAD	17FEB00	JB

NOTES:

- 1. DIMENSIONS IN INCHES
- 2. UL FILE E76225
CAT. DES. 82125/35/36/44-I/6/E
- 3. TEMPERATURE IN HARTFORD EICHENAUER
TEST FIXTURE: 170°C @ 120V



THIRD ANGLE PROJECTION



TOLERANCES UNLESS OTHERWISE SPECIFIED		
DEC	FRACTIONS	ANGLES
.0 ± .12		
.00 ± .025	± 1/16	± 1°
.000 ± .010		

APPROVALS		DATE
DRAWN	J. BASTIAN	17FEB00
CHECKED	S. HEBERT	2/17/00

EICHENAUER INC.

292 Sunapee St., Newport, NH 03773
TEL: 603-863-1454 FAX: 603-863-1248



TITLE **12.5 DIA PTC HEATER**

SIZE	FSCM NO.	DWG. NO.	REV.
A		200928	1
SCALE	SHEET		
1:1	1 of 1		