

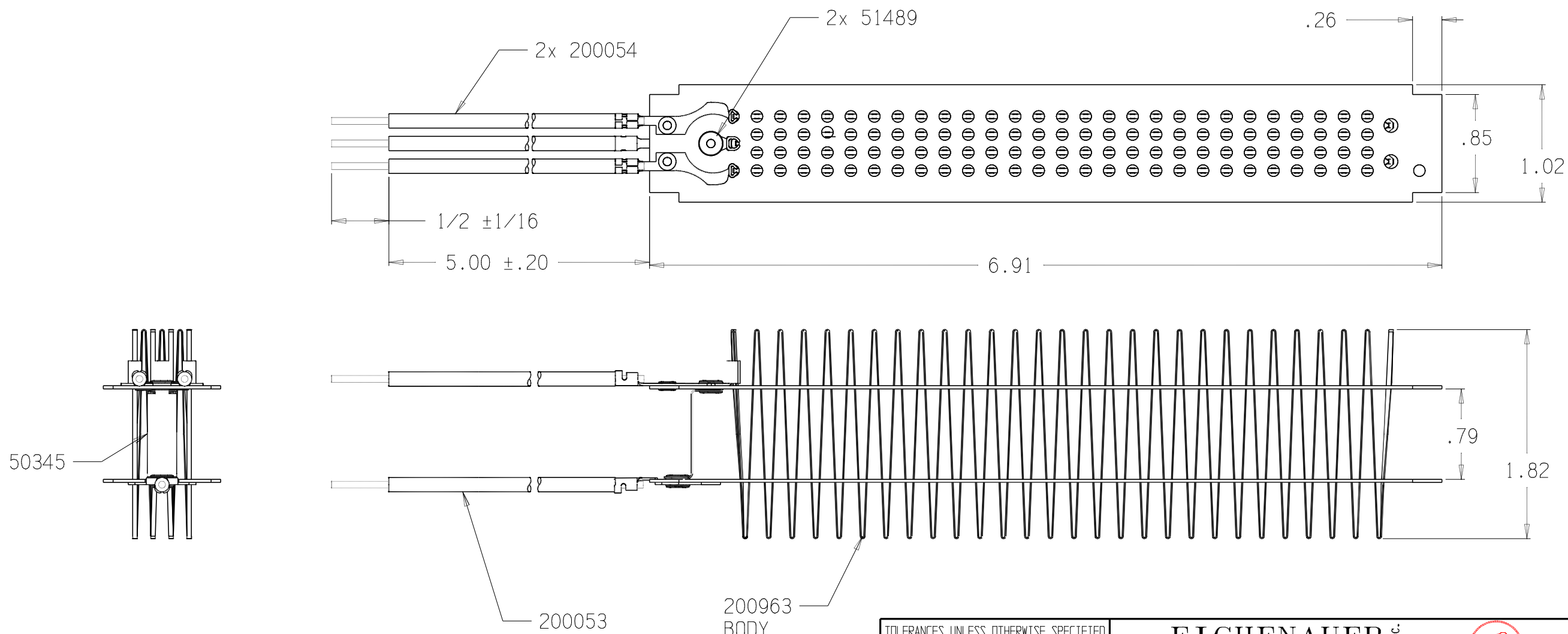
THIS DOCUMENT AND THE DATA DISCLOSED HEREIN OR HEREWITH IS NOT TO BE REPRODUCED, USED, OR DISCLOSED IN WHOLE OR IN PART TO ANYONE WITHOUT THE PERMISSION OF HARTFORD EICHENAUER, INC.

9	ECN 026-00, LENGTHENED LEAD WIRE	9/26/00	JB
10	ECN 008-02, RETURNED FROM MEXICO	03/06/02	JB
11	REVISED PER ECN 027-03	07/21/03	SJH
12	ASSEMBLY REVISED PER ECN 010-06	08/01/06	SJH

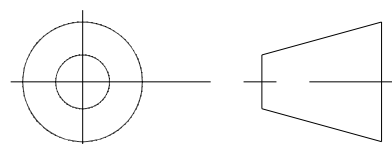
REVISIONS			
LTR/NO	DESCRIPTION	DATE	APPROVED
1	ECN 037-95	3/17/95	WR
2	ECN 410-95	4/10/95	LG
3	ECN 067-95	5/19/95	WR
4	ECN 085-95	5/19/95	WR
5	ECN 054-96	5/28/96	WR
6	ECN 021-97	4/14/97	KF
7	ECN 001-99	1/7/99	SJH
8	ECN 003-99	1/29/99	SJH

NOTES:

1. DIMENSIONS IN INCHES
2. LEAD WIRE: UL3173, AWG 16 (26/30)
TC, 125°C, 600V
3. UL FILE E76225, CAT. DES. 6228 120 1500
2. COLD RESISTANCE:
17.3Ω ± 5% (16.4 - 18.1)



THIRD ANGLE PROJECTION



TOLERANCES UNLESS OTHERWISE SPECIFIED
 DEC FRACTIONS ANGLES
 .X ± .06
 .XX ± .025 ± 1/16 ± 1°
 .XXX ± .010

EICHENAUER INC.
 292 Sunapee St., Newport, NH 03773
 TEL: 603-863-1454 FAX: 603-863-1248



6228 120V 2X750W
(6228-A17)

APPROVALS	DATE
DRAWN R. O'CONNOR	8/9/93
REDRAWN S. HEBERT	08/01/06

SIZE B	FSCM NO.	DWG. NO. 300020	REV. 12
SCALE 1:1	SHEET 1 of 1		