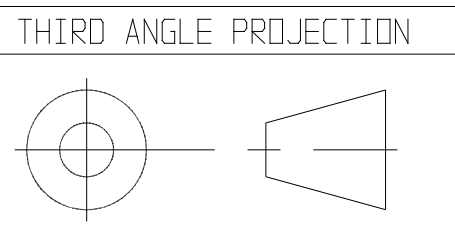
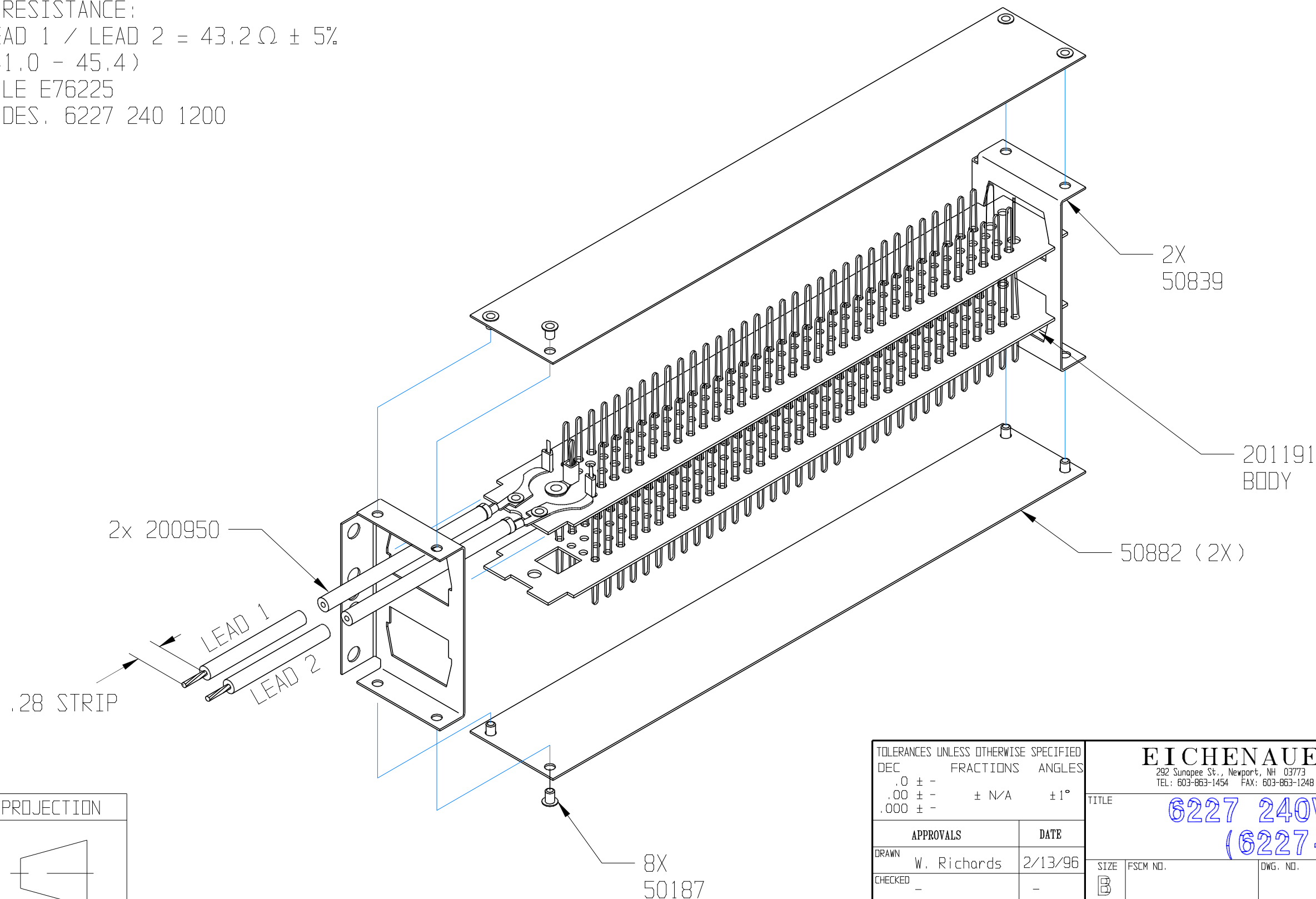


THIS DOCUMENT AND THE DATA DISCLOSED HEREIN OR HEREWITH IS NOT TO BE REPRODUCED, USED, OR DISCLOSED IN WHOLE OR IN PART TO ANYONE WITHOUT THE PERMISSION OF HARTFORD EICHENAUER, INC.

| REVISIONS | | | |
|-----------|-----------------------------------|---------|----------|
| LTR/NO | DESCRIPTION | DATE | APPROVED |
| 1 | ADDED TO SYSTEM ECN 018-97 | 4/8/97 | KF |
| 2 | ECN 038-03 REVISE PRODUCTION | 6AUG03 | JB |
| 3 | PRODUCTION REVISED PER ECN 010-06 | 9/11/06 | SJH |

NOTES:

1. DIMENSIONS IN INCHES
2. COLD RESISTANCE:
LEAD 1 / LEAD 2 = $43.2 \Omega \pm 5\%$
(41.0 - 45.4)
3. UL FILE E76225
CAT. DES. 6227 240 1200



| | | | | | | | |
|---------------------------------------|------------------|---|---|--------------|----------|-----------------|------|
| TOLERANCES UNLESS OTHERWISE SPECIFIED | | EICHENAUER INC. 292 Sunapee St., Newport, NH 03773 TEL: 603-863-1454 FAX: 603-863-1248 | | | | | |
| DEC | FRACTIONS ANGLES | | | | | | |
| .0 ± - | | | 6227 240V 1200W (6227-Z01) | | | | |
| .00 ± - | ± N/A ± 1° | | | | | | |
| .000 ± - | | | | | | | |
| APPROVALS | | DATE | | SIZE | FSCM NO. | DWG. NO. | REV. |
| DRAWN W. Richards | | 2/13/96 | | B | | 300040 | 3 |
| CHECKED - | | - | | SCALE 1:1 | | SHEET 1 of 1 | |