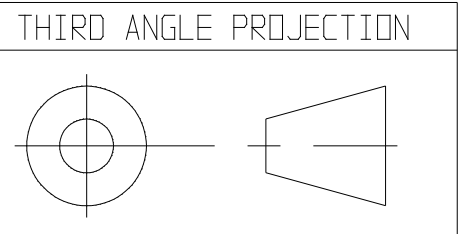
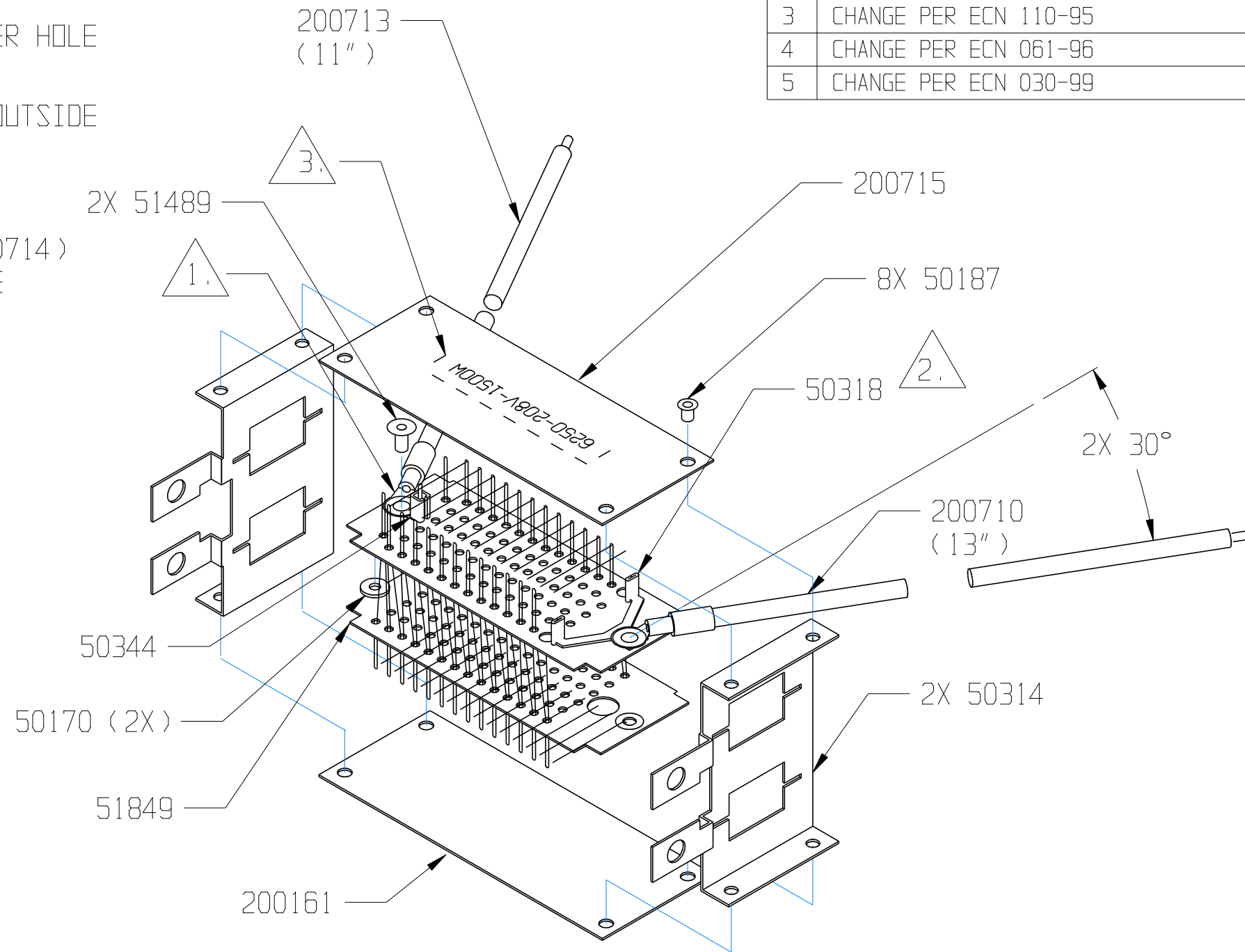


THIS DOCUMENT AND THE DATA DISCLOSED HEREIN OR HEREWITH IS NOT TO BE REPRODUCED, USED, OR DISCLOSED IN WHOLE OR IN PART TO ANYONE WITHOUT THE PERMISSION OF HARTFORD EICHENAUER, INC.

REVISIONS			
LTR/NO	DESCRIPTION	DATE	APPROVED
1	PRELIMINARY RELEASE	3/28/94	WR
2	CHANGE PER ECN 053-94	6/6/94	WR
3	CHANGE PER ECN 110-95	6/29/95	WR
4	CHANGE PER ECN 061-96	5/24/96	WR
5	CHANGE PER ECN 030-99	12/07/99	SH

NOTES:

1. SECURE RESISTANCE WIRE FROM CENTER HOLE THIS END TO CRIMP (P/N 50344).
2. SECURE RESISTANCE WIRE FROM TWO OUTSIDE HOLES TO CRIMP (P/N 50318).
3. INK STAMP WITH "6250-208V-1500W"
4. ROUTE LEADS (P/N's 200711 AND 200714) THROUGH RECTANGULAR HOLES IN SIDE BRACKETS (P/N 50314) DURING ASSY.
5. COLD RESISTANCE: $28.0 \Omega \pm 5\%$. (26.6 - 29.4).



TOLERANCES UNLESS OTHERWISE SPECIFIED		EICHENAUER INC. 292 Sunapee St., Newport, NH 03773 TEL: 603-863-1454 FAX: 603-863-1248					
DEC	FRACTIONS ANGLES						
.0 ± -		6250 208V 1500W J01 (6250-J01)					
.00 ± -	± N/A ± 1°						
.000 ± -							
APPROVALS		DATE		SIZE	FSCM NO.	DWG. NO.	REV.
DRAWN		DATE		B		300225	5
CHECKED		-		SCALE		SHEET	
				1:1		1 of 1	