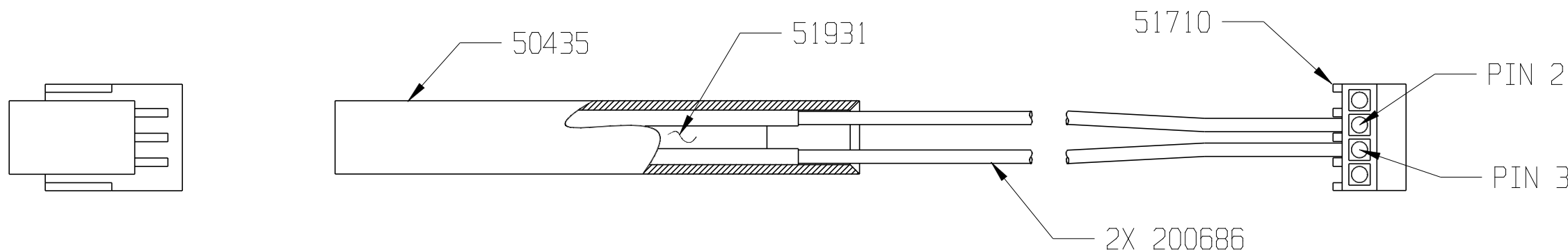


THIS DOCUMENT AND THE DATA DISCLOSED HEREIN OR HEREWITH IS NOT TO BE REPRODUCED, USED, OR DISCLOSED IN WHOLE OR IN PART TO ANYONE WITHOUT THE PERMISSION OF HARTFORD EICHENAUER, INC.

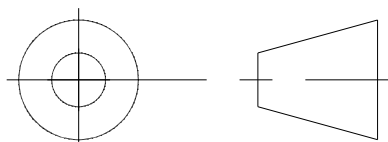
REVISIONS			
LTR/NO	DESCRIPTION	DATE	APPROVED
1	PRODUCTION RELEASE	9/6/95	WR
2	CHG PER ECN 002-96	1/5/96	WR


NOTES:

- TEMPERATURE IN HARTFORD EICHENAUER TEST FIXTURE:
150°C ± 8°C AT 40VDC.
- UL No. 83/12X7/40/35/54-I/6
- TOOLING TO INSTALL AMP CONNECTOR P/N 51710 ?



THIRD ANGLE PROJECTION



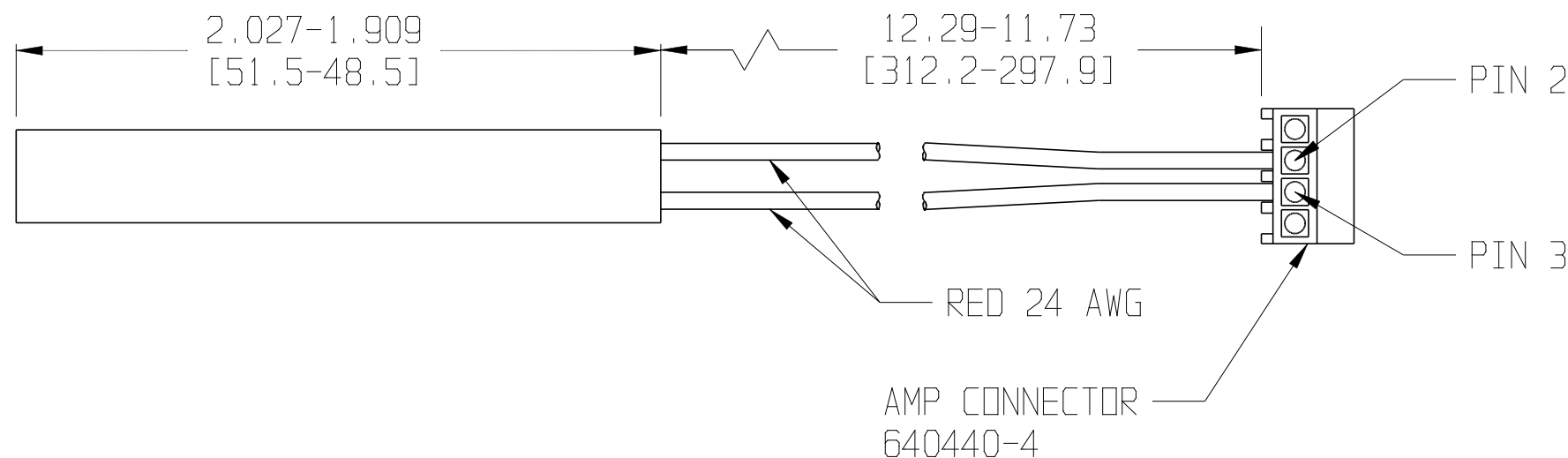
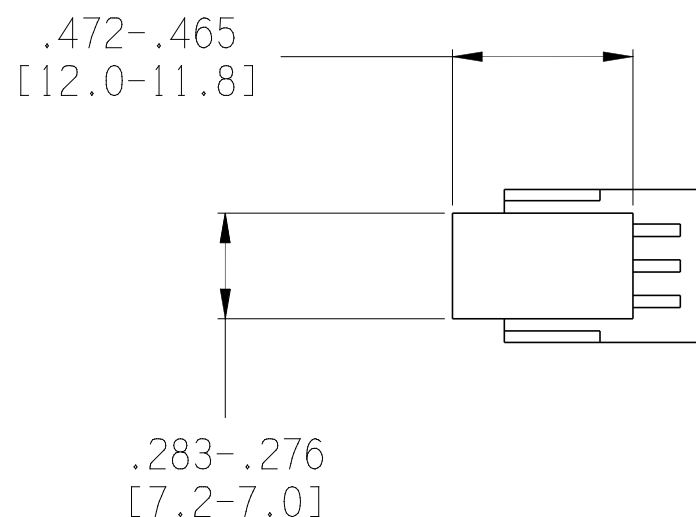
TOLERANCES UNLESS OTHERWISE SPECIFIED DEC FRACTIONS ANGLES .X ± .06 .XX ± .025 ± 1/16 ± 1° .XXX ± .010		EICHENAUER INC. 292 Sunapee St., Newport, NH 03773 TEL: 603-863-1454 FAX: 603-863-1248 	
APPROVALS		TITLE	
DATE		12 x 7 RECTANGULAR PTC (TX-659)	
DRAWN W. Richards	9/6/95	SIZE B	REV. 2
CHECKED		DWG. NO. 300241	
	SCALE 2:1	SHEET 1 of 2	

THIS DOCUMENT AND THE DATA DISCLOSED HEREIN OR HEREWITH IS NOT TO BE REPRODUCED, USED, OR DISCLOSED IN WHOLE OR IN PART TO ANYONE WITHOUT THE PERMISSION OF HARTFORD EICHENAUER, INC.

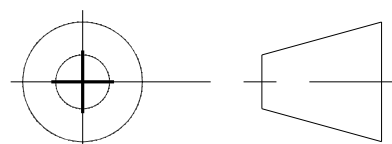
REVISIONS			
LTR/NO	DESCRIPTION	DATE	APPROVED
1	PRODUCTION RELEASE	9/6/95	WR
2	CHG PER ECN 002-96	1/5/96	WR


NOTES:

1. ALL DIMENSIONS ARE IN INCHES AND [MILLIMETERS].
2. TEMPERATURE IN HARTFORD EICHENAUER TEST FIXTURE: 150°C ± 8°C AT 40VDC.
3. UL No. 83/12 X 7.0/40/35/50-I/10, FILE No. E76225.
4. LEAD WIRE IS 24 AWG AND HAS UL APPROVAL FOR 200°C, 330V.



THIRD ANGLE PROJECTION



TOLERANCES UNLESS OTHERWISE SPECIFIED DEC FRACTIONS ANGLES .X ± .06 .XX ± .025 ± 1/16 ± 1° .XXX ± .010		EICHENAUER INC. 292 Sunapee St., Newport, NH 03773 TEL: 603-863-1454 FAX: 603-863-1248 	
APPROVALS DRAWN <i>W. Richards</i> CHECKED		DATE 9/6/95 TITLE 12 x 7 RECTANGULAR PTC (TX-659) DWG. NO. 300241 REV. 2	
SCALE 2:1		SHEET 2 of 2	