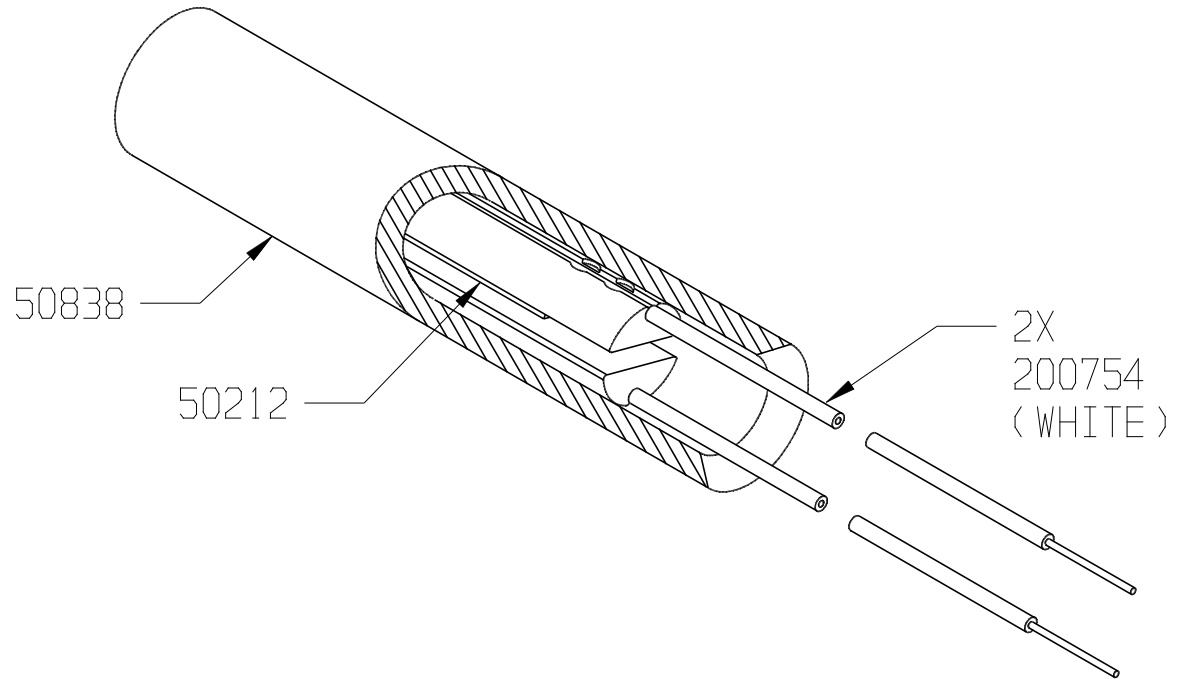


THIS DOCUMENT AND THE DATA DISCLOSED HEREIN OR HERewith IS NOT TO BE REPRODUCED, USED, OR DISCLOSED IN WHOLE OR IN PART TO ANYONE WITHOUT THE PERMISSION OF HARTFORD EICHENAUER, INC.

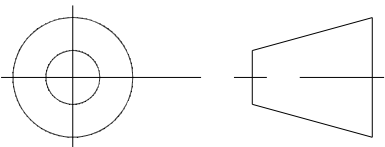
NOTES:

1.

REVISIONS			
LTR/NO	DESCRIPTION	DATE	APPROVED
1	PRODUCTION RELEASE	6/25/96	WR



THIRD ANGLE PROJECTION



TOLERANCES UNLESS OTHERWISE SPECIFIED		
DEC	FRACTIONS	ANGLES
.X ± .06		
.XX ± .025	± 1/16	± 1°
.XXX ± .010		

APPROVALS		DATE
DRAWN	W. Richards	6/25/96
CHECKED		

EICHENAUER INC.

292 Sunapee St., Newport, NH 03773
 TEL: 603-863-1454 FAX: 603-863-1248



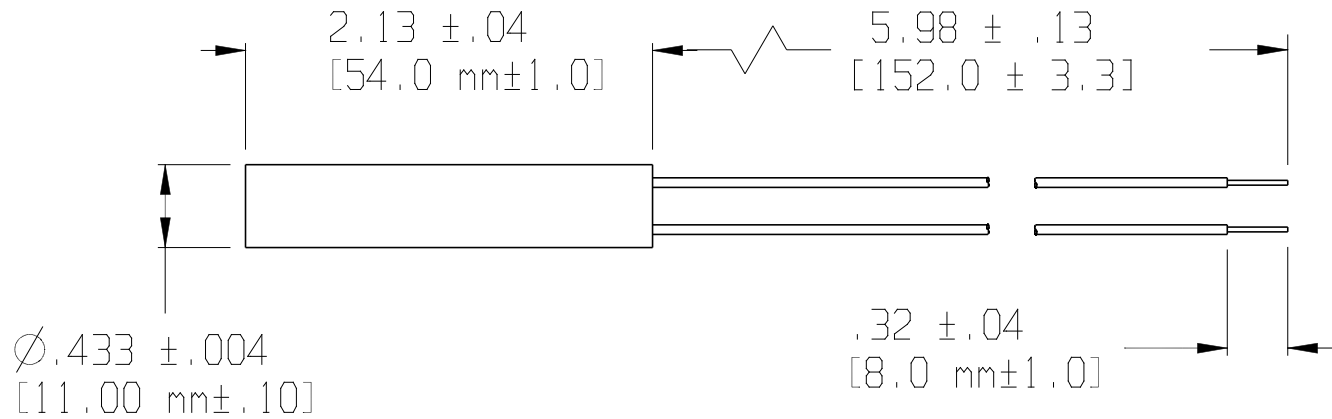
TITLE				11.0 x 54 mm PTC (WC-672)	
SIZE	FSCM NO.	DWG. NO.	300279		
A			REV.	1	
SCALE	2:1		SHEET	1 of 2	

THIS DOCUMENT AND THE DATA DISCLOSED HEREIN OR HEREWITH IS NOT TO BE REPRODUCED, USED, OR DISCLOSED IN WHOLE OR IN PART TO ANYONE WITHOUT THE PERMISSION OF HARTFORD EICHENAUER, INC.

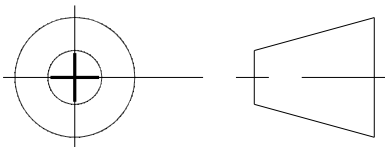
REVISIONS			
LTR/NO	DESCRIPTION	DATE	APPROVED
1	PRODUCTION RELEASE	1/22/96	WR

NOTES:

1. ALL DIMENSIONS ARE IN INCHES AND [mm].
2. TEMPERATURE IN HARTFORD EICHENAUER TEST FIXTURE: 194°C ± 8°C AT 230V.
3. UL No.: 82/110/40/24/54-I/4/E
UL FILE No. E76225.
4. LEAD WIRE IS 24 GAGE AND HAS UL APPROVAL FOR 200°C AND 300V.



THIRD ANGLE PROJECTION



TOLERANCES UNLESS OTHERWISE SPECIFIED		
DEC	FRACTIONS	ANGLES
.X ± .06		
.XX ± .025	± 1/16	± 1°
.XXX ± .010		

APPROVALS		DATE
DRAWN	W. Richards	1/22/96
CHECKED		

EICHENAUER INC.

292 Sunapee St., Newport, NH 03773
TEL: 603-863-1454 FAX: 603-863-1248



TITLE				11.0 x 54 mm PTC (WC-672)	
SIZE	FSCM NO.	DWG. NO.	REV.		
A		300279	1		
SCALE	1:1	SHEET	2 of 2		