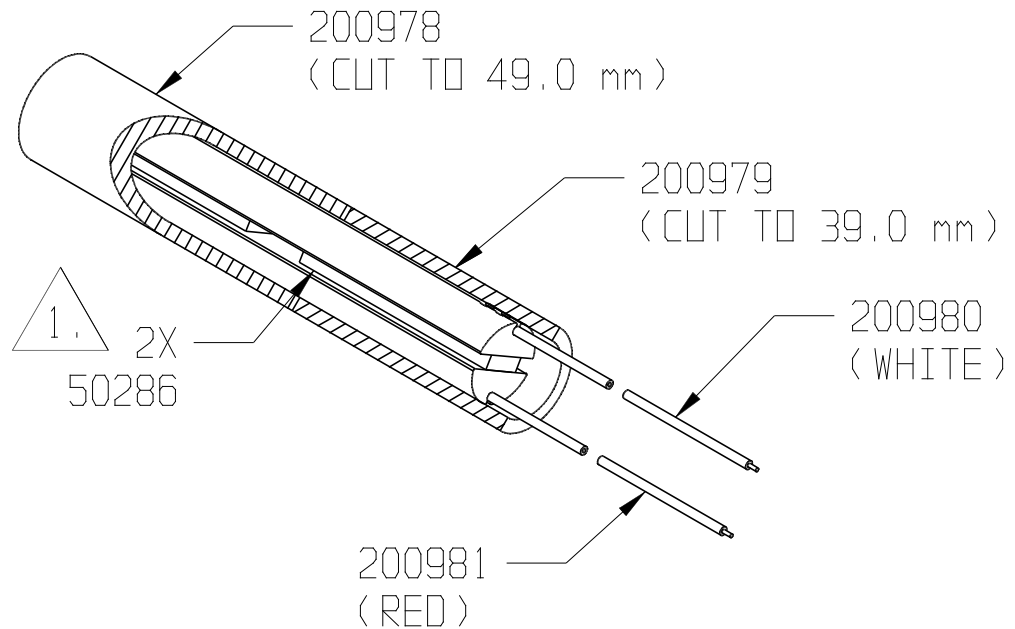


THIS DOCUMENT AND THE DATA DISCLOSED HEREIN OR HERewith IS NOT TO BE REPRODUCED, USED, OR DISCLOSED IN WHOLE OR IN PART TO ANYONE WITHOUT THE PERMISSION OF HARTFORD EICHENAUER, INC.

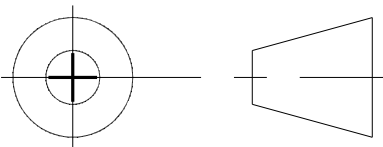
NOTES:

1. PELLETS MUST NOT TOUCH.

REVISIONS			
LTR/NO	DESCRIPTION	DATE	APPROVED
1	PRODUCTION RELEASE	3/27/95	WR
2	CHG PER ECN 097-95	6/6/95	WR
3	CHG PER ECN 171-95	11/10/95	WR
4	CHG PER ECN 003-96	1/10/96	WR
5	CHG PER ECN 015-96	2/2/96	WR



THIRD ANGLE PROJECTION



TOLERANCES UNLESS OTHERWISE SPECIFIED		
DEC	FRACTIONS	ANGLES
.X ± .06		
.XX ± .025	± 1/16	± 1°
.XXX ± .010		

APPROVALS		DATE
DRAWN	W. Richards	3/27/95
CHECKED		

EICHENAUER INC.

292 Sunapee St., Newport, NH 03773
TEL: 603-863-1454 FAX: 603-863-1248



TITLE **PTC, 15.8 X 88.0 MM (BG-686)**

SIZE	FSCM NO.	DWG. NO.	REV.
A		300321	5
SCALE	1:1		SHEET 1 of 1