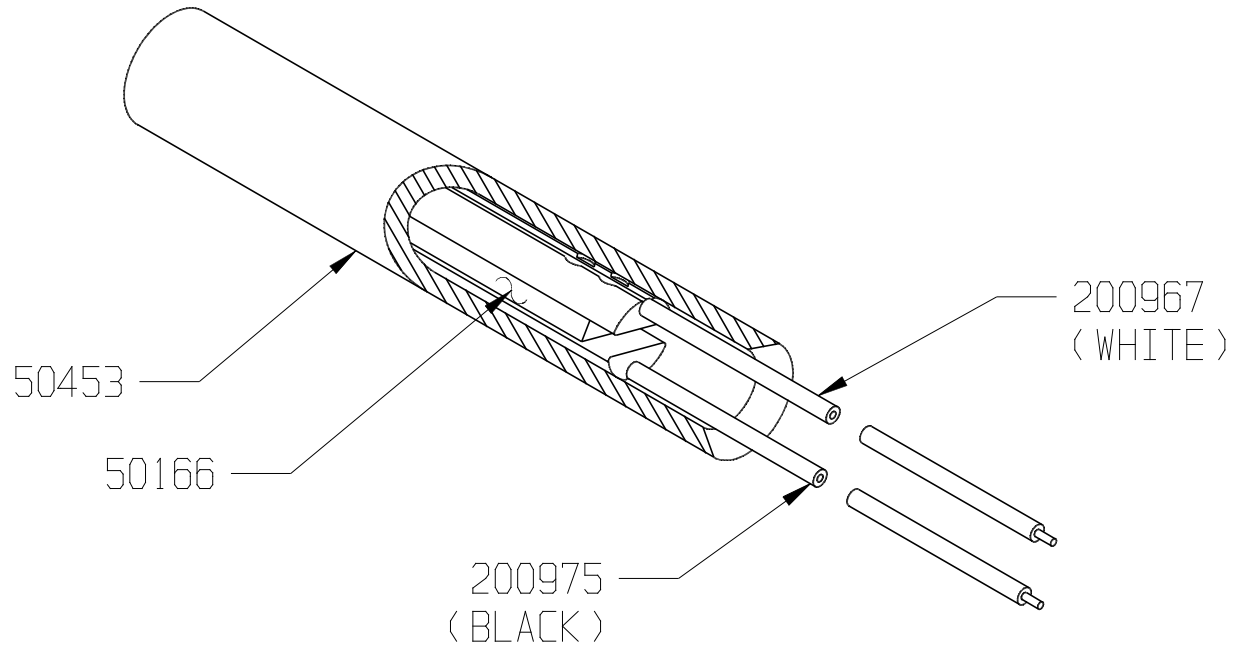


THIS DOCUMENT AND THE DATA DISCLOSED HEREIN OR HERewith IS NOT TO BE REPRODUCED, USED, OR DISCLOSED IN WHOLE OR IN PART TO ANYONE WITHOUT THE PERMISSION OF HARTFORD EICHENAUER, INC.

NOTES:

1.

REVISIONS			
LTR/NO	DESCRIPTION	DATE	APPROVED
1	ECN 046-95	4/18/95	WR
2	CHG PER ECN 095-95	6/6/95	WR
3	CHG PER ECN 005-96	1/10/96	WR
4	CHG PER ECN 027-00	11OCT00	JB
5	UL INFO REMOVE PER ECN 010-07	05/14/07	SJH



TOLERANCES UNLESS OTHERWISE SPECIFIED		
DEC	FRACTIONS	ANGLES
.0 ± -		± 1°
.00 ± -	± N/A	
.000 ± -		

EICHENAUER INC.

292 Sunapee St., Newport, NH 03773
TEL: 603-863-1454 FAX: 603-863-1248



TITLE		PTC		REV.
		8.7mm BG-685		5
SIZE	FSCM NO.	DWG. NO.	300323	
A				
SCALE	2:1	SHEET	1 of 1	

THIRD ANGLE PROJECTION

