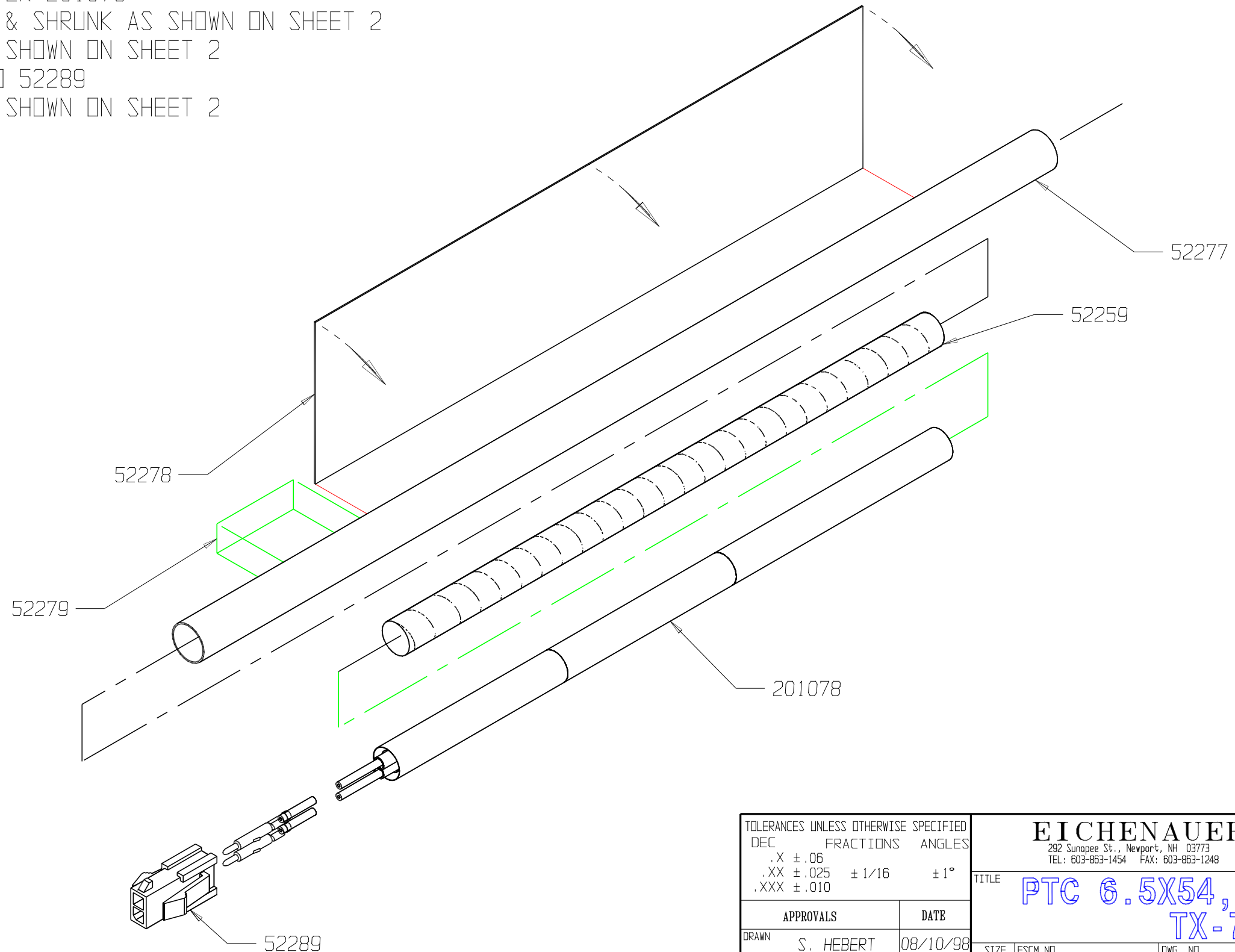


THIS DOCUMENT AND THE DATA DISCLOSED HEREIN OR HEREWITH IS NOT TO BE REPRODUCED, USED, OR DISCLOSED IN WHOLE OR IN PART TO ANYONE WITHOUT THE PERMISSION OF HARTFORD EICHENAUER, INC.

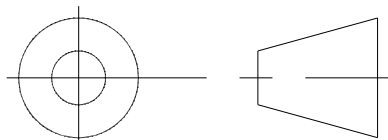
REVISIONS			
LTR/NO	DESCRIPTION	DATE	APPROVED
1	PRODUCTION RELEASE	08/10/98	SJH
2	ECN 054-98 SEE SHEET 2	09/10/98	SJH
3	ECN 058-98 LABEL & CONNECTOR	11/04/98	SJH


NOTES:

1. ASSEMBLY SEQUENCE:
 - a) 52259 CENTERED OVER 201078
 - b) 52277 POSITIONED & SHRUNK AS SHOWN ON SHEET 2
 - c) 52278 WRAPPED AS SHOWN ON SHEET 2
 - d) PINS SNAPPED INTO 52289
 - e) 52279 AFFIXED AS SHOWN ON SHEET 2



THIRD ANGLE PROJECTION

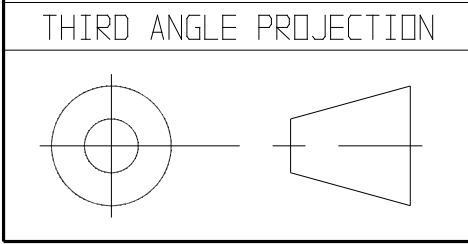
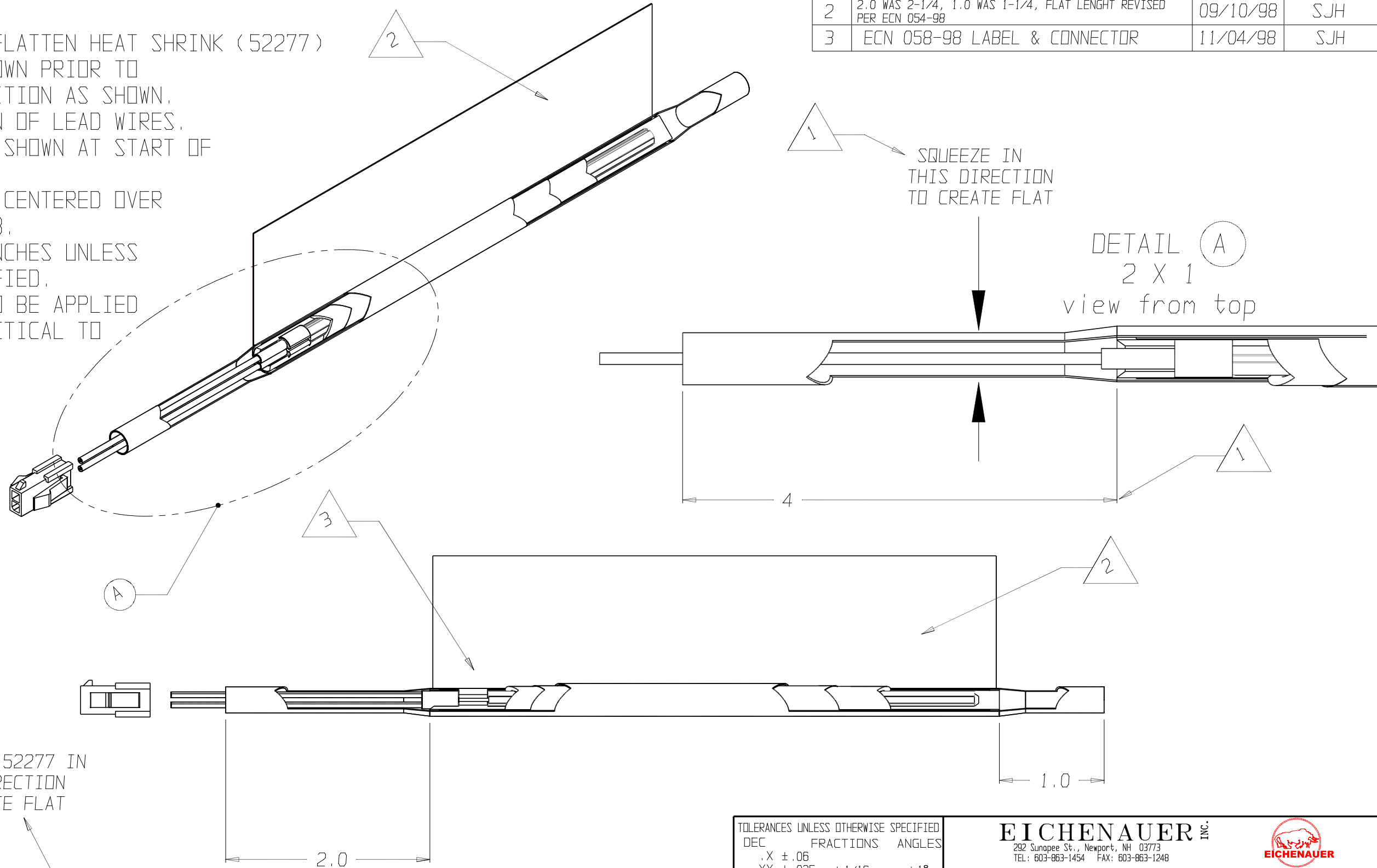


TOLERANCES UNLESS OTHERWISE SPECIFIED		EICHENAUER INC. 292 Sunapee St., Newport, NH 03773 TEL: 603-863-1454 FAX: 603-863-1248			
DEC	FRACTIONS ANGLES				
.X ± .06		TITLE PTC 6.5X54, 3 PELLETS TX-736			
.XX ± .025 ± 1/16	± 1°				
.XXX ± .010		APPROVALS		DATE	
DRAWN S. HEBERT		08/10/98		SIZE B	FSCM NO.
CHECKED				DWG. NO. 300376	REV. 3
SCALE 1:1				SHEET 1 of 2	

THIS DOCUMENT AND THE DATA DISCLOSED HEREIN OR HEREWITH IS NOT TO BE REPRODUCED, USED, OR DISCLOSED IN WHOLE OR IN PART TO ANYONE WITHOUT THE PERMISSION OF HARTFORD EICHENAUER, INC.

REVISIONS			
LTR/NO	DESCRIPTION	DATE	APPROVED
1	PRODUCTION RELEASE	08/11/98	SJH
2	2.0 WAS 2-1/4, 1.0 WAS 1-1/4, FLAT LENGHT REVISED PER ECN 054-98	09/10/98	SJH
3	ECN 058-98 LABEL & CONNECTOR	11/04/98	SJH

- NOTES:
- USE FIXTURE TO FLATTEN HEAT SHRINK (52277) IN DIRECTION SHOWN PRIOR TO SHRINKING. POSITION AS SHOWN. NOTE ORIENTATION OF LEAD WIRES.
 - FOIL (52278) IS SHOWN AT START OF APPLICATION.
 - FOIL (52278) IS CENTERED OVER SHELLS OF 201078.
 - DIMENSIONS IN INCHES UNLESS OTHERWISE SPECIFIED.
 - LABEL (52279) TO BE APPLIED AS CLOSE AS PRACTICAL TO FOIL (52278).



TOLERANCES UNLESS OTHERWISE SPECIFIED		EICHENAUER INC.			
DEC	FRACTIONS	292 Sunapee St., Newport, NH 03773		TEL: 603-863-1454 FAX: 603-863-1248	
.X ± .06		TITLE		PTC 6.5x54, 3 PELLETS	
.XX ± .025 ± 1/16	± 1°	TX-736		REV. 3	
.XXX ± .010		APPROVALS	DATE	SIZE	FSCM NO.
		S. HEBERT	08/11/98	B	DWG. NO. 300376
		CHECKED		SCALE	SHEET
				1:1	2 of 2