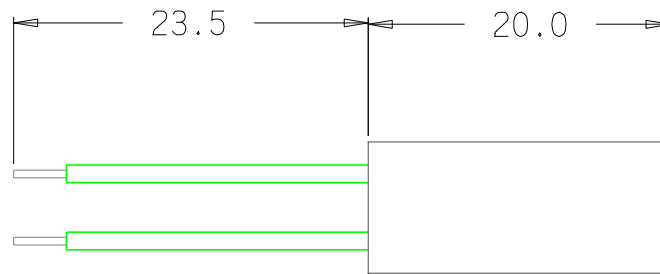
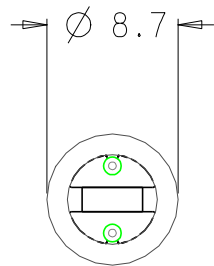
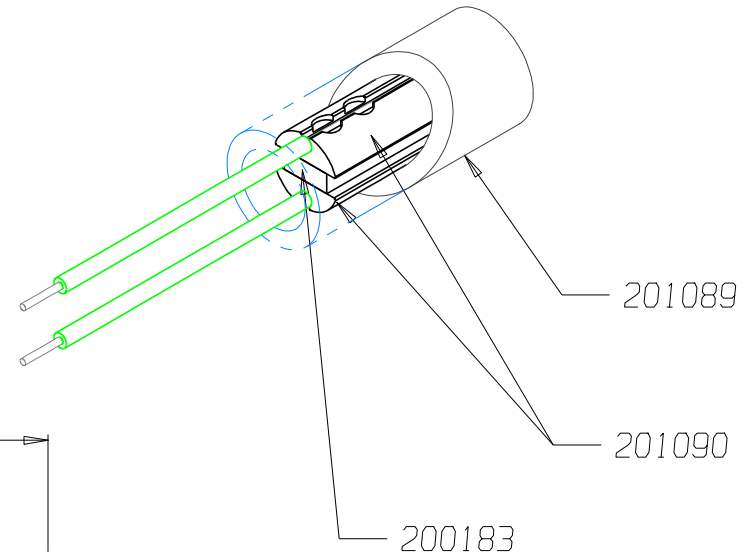


THIS DOCUMENT AND THE DATA DISCLOSED HEREIN OR HERewith IS NOT TO BE REPRODUCED, USED, OR DISCLOSED IN WHOLE OR IN PART TO ANYONE WITHOUT THE PERMISSION OF HARTFORD EICHENAUER, INC.

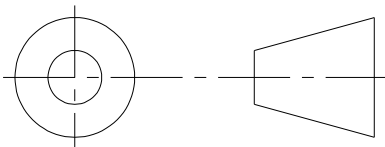
REVISIONS			
LTR/NO	DESCRIPTION	DATE	APPROVED
1	PRODUCTION RELEASE	02/12/99	SJH

NOTES:

1. DIMENSIONS IN MM
2. UL FILE E76225  
CAT. NO 8287/12/12/20-I/4/E
3. TEMPERATURE IN HARTFORD EICHENAUER  
TEST FIXTURE: 141°C ± 8° C AT 120V.



THIRD ANGLE PROJECTION



TOLERANCES UNLESS OTHERWISE SPECIFIED		
DEC	FRACTIONS	ANGLES
.0 ± 1		
.00 ± .5	±	± 1°
.000 ± .25		

APPROVALS		DATE
DRAWN	S. HEBERT	02/12/99
CHECKED		

**EICHENAUER INC.**

292 Sunapee St., Newport, NH 03773  
TEL: 603-863-1454 FAX: 603-863-1248



TITLE				PTC 8.7 X 20 UF-738	
SIZE	FSCM NO.	DWG. NO.	REV.		
A		300379	1		
SCALE	2:1		SHEET	1 of 1	