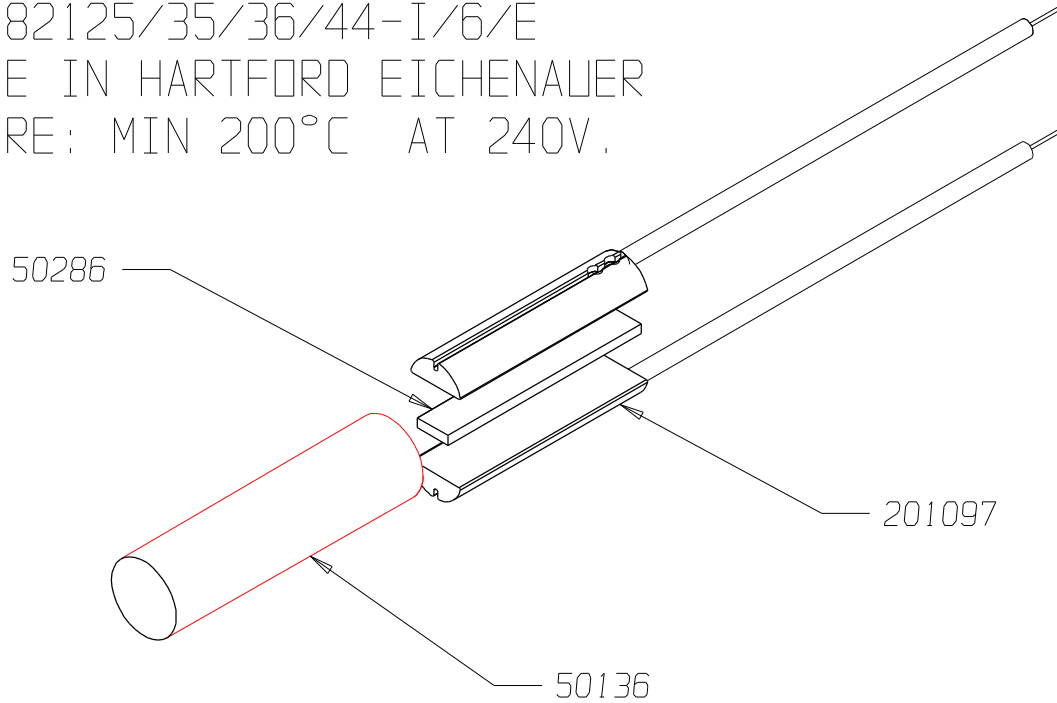


THIS DOCUMENT AND THE DATA DISCLOSED HEREIN OR HEREWITH IS NOT TO BE REPRODUCED, USED, OR DISCLOSED IN WHOLE OR IN PART TO ANYONE WITHOUT THE PERMISSION OF HARTFORD EICHENAUER, INC.

REVISIONS			
LTR/NO	DESCRIPTION	DATE	APPROVED
1	PRODUCTION RELEASE ECN 033-99	28DEC99	JB

NOTES:

- 1. DIMENSIONS IN INCHES
- 2. UL FILE E76225  
CAT. DES. 82125/35/36/44-I/6/E
- 3. TEMPERATURE IN HARTFORD EICHENAUER  
TEST FIXTURE: MIN 200°C AT 240V.



TOLERANCES UNLESS OTHERWISE SPECIFIED	
DEC	FRACTIONS ANGLES
.0 ± .12	
.00 ± .025	± 1/16 ± 1°
.000 ± .010	
APPROVALS	DATE
DRAWN J. BASTIAN	12/31/99
CHECKED SH	

<b>HARTFORD</b> 292 Sunapee St., Newport, NH 03773 TEL: 603-863-1454 FAX: 603-863-1248		
<b>EICHENAUER INC.</b>		
TITLE <b>12.5 DIA. PTC VT-743</b>		
SIZE <b>A</b>	FSCM NO.	DWG. NO. <b>300385</b>
SCALE <b>1:1</b>		REV. <b>1</b>
SHEET <b>1 of 1</b>		

