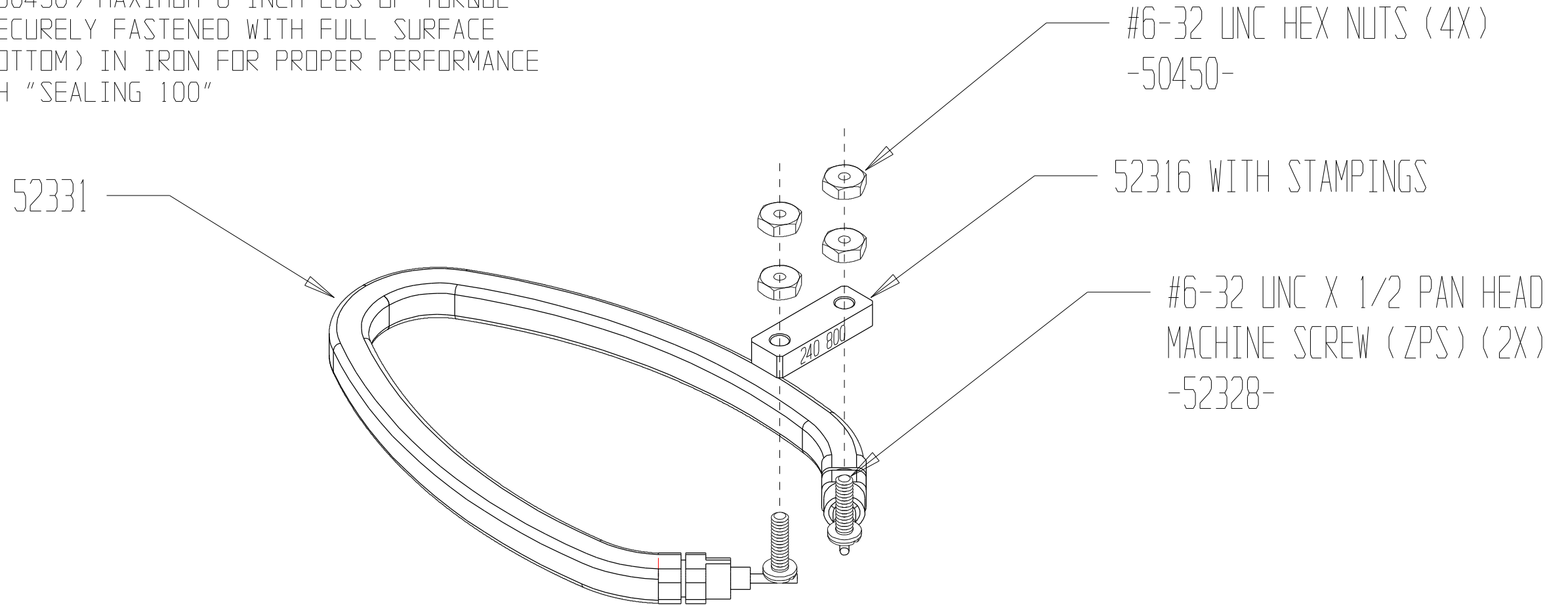


THIS DOCUMENT AND THE DATA DISCLOSED HEREIN OR HEREWITH IS NOT TO BE REPRODUCED, USED, OR DISCLOSED IN WHOLE OR IN PART TO ANYONE WITHOUT THE PERMISSION OF HARTFORD EICHENAUER, INC.

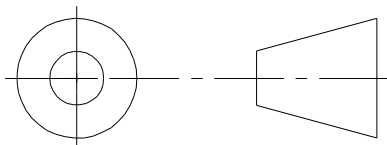
REVISIONS			
LTR/NO	DESCRIPTION	DATE	APPROVED
1	Created, ECN 023-01	08/01/01	JB

NOTES:

1. DIMENSIONS IN MM
2. 70.5 Ω COLD +10%, -5% (66.8-77.9)
3. TIGHTEN HEX NUTS (50450) MAXIMUM 6 INCH-LBS OF TORQUE
4. ELEMENTS MUST BE SECURELY FASTENED WITH FULL SURFACE CONTACT (TOP AND BOTTOM) IN IRON FOR PROPER PERFORMANCE
5. TUBE PROCESSED WITH "SEALING 100"



THIRD ANGLE PROJECTION



TOLERANCES UNLESS OTHERWISE SPECIFIED	
DEC	FRACTIONS ANGLES
.0 ± .06	±1°
.00 ± .025	
.000 ± .010	
APPROVALS	DATE
DRAWN J. BASTIAN	01/23/01
CHECKED -	-

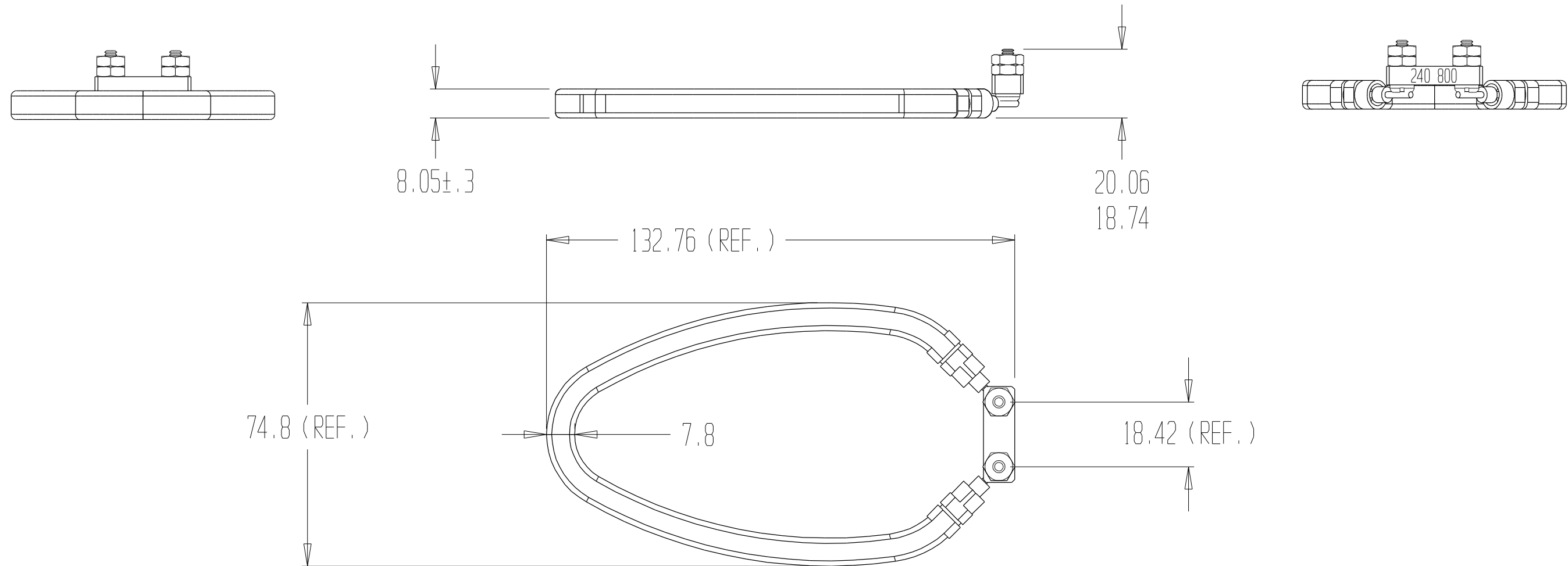
HARTFORD EICHENAUER <small>292 Sunapee St., Newport, NH 03773 TEL: 603-863-1454 FAX: 603-863-1248</small>		
TITLE ALUMINUM IRON TUBULAR 240V, 800W		
SIZE B	FSCM NO.	DWG. NO. 300405
SCALE	SHEET 1 of 2	
		REV. 1

THIS DOCUMENT AND THE DATA DISCLOSED HEREIN OR HEREWITH IS NOT TO BE REPRODUCED, USED, OR DISCLOSED IN WHOLE OR IN PART TO ANYONE WITHOUT THE PERMISSION OF HARTFORD EICHENAUER, INC.

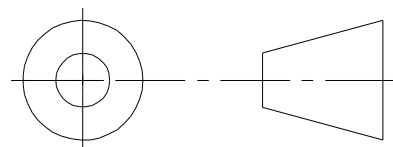
REVISIONS			
LTR/NO	DESCRIPTION	DATE	APPROVED
1	CREATED, ECN 023-01	08/01/01	JB

NOTES:

1. DIMENSIONS IN MM
2. 70.5 Ω COLD +10%, -5% (66.8-77.9)
3. TIGHTEN HEX NUTS MAXIMUM 6 INCH-LBS OF TORQUE
4. ELEMENTS MUST BE SECURELY FASTENED WITH FULL SURFACE CONTACT (TOP AND BOTTOM) IN IRON FOR PROPER PERFORMANCE
5. TUBE PROCESSED WITH "SEALING 100"



THIRD ANGLE PROJECTION



TOLERANCES UNLESS OTHERWISE SPECIFIED	
DEC	FRACTIONS ANGLES
.0 ± .06	±1°
.00 ± .025	
.000 ± .010	
APPROVALS	DATE
DRAWN J. BASTIAN	01/31/01
CHECKED -	-

HARTFORD EICHENAUER 292 Sunapee St., Newport, NH 03773
 TEL: 603-863-1454 FAX: 603-863-1248

ALUMINUM IRON TUBULAR
 240V, 800W

SIZE B FSCM NO. DWG. NO. 300405 REV. 1

SCALE SHEET 2 of 2