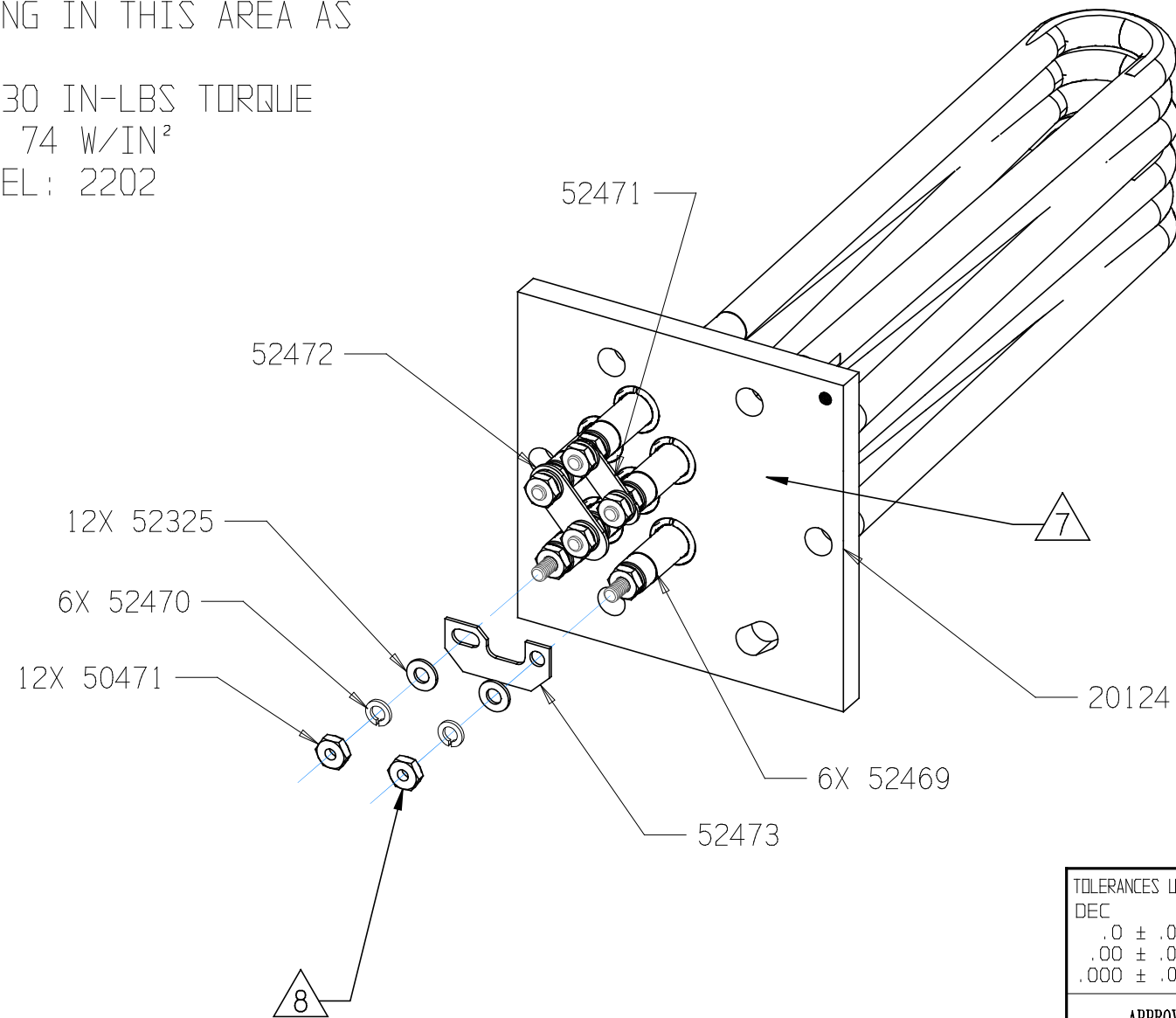


THIS DOCUMENT AND THE DATA DISCLOSED HEREIN OR HEREWITH IS NOT TO BE REPRODUCED, USED, OR DISCLOSED IN WHOLE OR IN PART TO ANYONE WITHOUT THE PERMISSION OF HARTFORD EICHENAUER, INC.

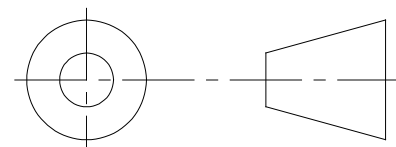
REVISIONS			
LTR/NO	DESCRIPTION	DATE	APPROVED
1	PRODUCTION RELEASE	08/07/01	SJH
2	ECN 033-01 (SHEET 2)	10/16/01	SJH
3	NOTES REVISED PER ECN 002-02	01/31/02	SJH
4	REVISED & REDRAWN PER ECN 024-02	07/30/02	SJH
5	ECN 018-03	8MAY03	JB
6	REVISED & REDRAWN PER ECN 026-04	06/21/04	SJH

NOTES:

1. DIMENSIONS IN INCHES
2. FLANGE MATERIAL: MILD STEEL
3. SHEATH MATERIAL: 1.4571
4. TERMINAL PINS: 10-32 WITH NUTS AND WASHERS AS SHOWN
5. COLD RESISTANCE: $10.6 \Omega \pm 10\% / -5\%$ (10.1 - 11.7) PER TUBE
6. BUSS TO BUSS RESISTANCE: $7.1 \Omega \pm 10\% / -5\%$ (6.7 - 7.8) WHEN ASSEMBLED
7. IDENTIFICATION MARKING IN THIS AREA AS SPECIFIED ON SHEET 3
8. TIGHTEN TOP NUTS TO 30 IN-LBS TORQUE
9. SHEATH WATT DENSITY: 74 W/IN²
10. UL FILE: E76225 MODEL: 2202



THIRD ANGLE PROJECTION



TOLERANCES UNLESS OTHERWISE SPECIFIED	
DEC	FRACTIONS ANGLES
.0 ± .06	
.00 ± .025	± 1/16 ± 1°
.000 ± .010	
APPROVALS	DATE
DRAWN S. HEBERT	08/07/01
CHECKED	

EICHENAUER INC.
 292 Sunapee St., Newport, NH 03773
 TEL: 603-863-1454 FAX: 603-863-1248



FLANGED BOILER HEATER
208V 12KW 3PH

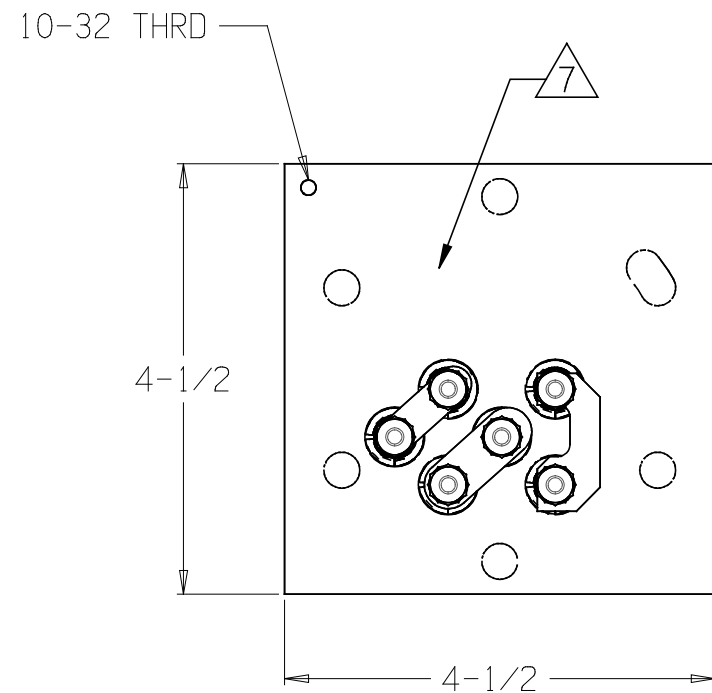
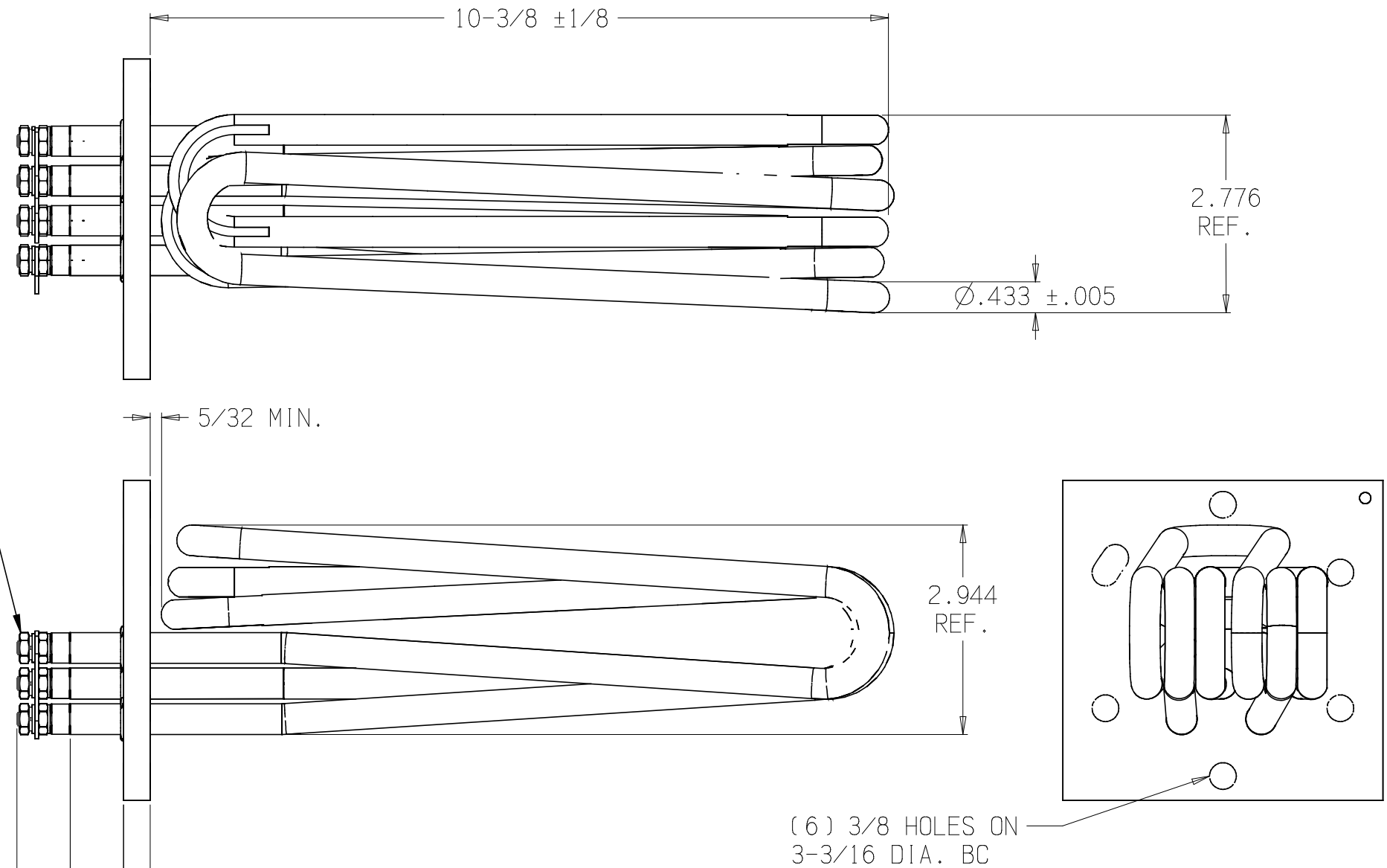
SIZE	FSCM NO.	DWG. NO.	REV.
B		300408	6
SCALE	SHEET		
1:2	1 of 3		

THIS DOCUMENT AND THE DATA DISCLOSED HEREIN OR HEREWITH IS NOT TO BE REPRODUCED, USED, OR DISCLOSED IN WHOLE OR IN PART TO ANYONE WITHOUT THE PERMISSION OF HARTFORD EICHENAUER, INC.

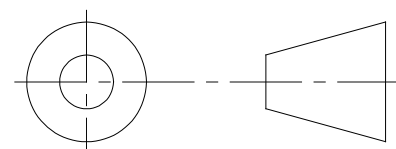
REVISIONS			
LTR/NO	DESCRIPTION	DATE	APPROVED
1	PRODUCTION RELEASE	08/07/01	SJH
2	B.C. DIA WAS 3-7/8 PER ECN 033-01	10/16/01	SJH
3	NOTES REVISED PER ECN 002-02	01/31/02	SJH
4	REVISED & REDRAWN PER ECN 024-02	07/30/02	SJH
5	ECN 018-03	8MAY03	JB
6	REVISED & REDRAWN PER ECN 026-04	06/21/04	SJH

NOTES:

- DIMENSIONS IN INCHES
- FLANGE MATERIAL: MILD STEEL
- SHEATH MATERIAL: 1.4571
- TERMINAL PINS: 10-32 WITH NUTS AND WASHERS AS SHOWN
- COLD RESISTANCE: $10.6 \Omega \pm 10\% / -5\%$ (10.1 - 11.7) PER TUBE
- BUSS TO BUSS RESISTANCE: $7.1 \Omega \pm 10\% / -5\%$ (6.7 - 7.8) WHEN ASSEMBLED
- IDENTIFICATION MARKING IN THIS AREA AS SPECIFIED ON SHEET 3
- TIGHTEN TOP NUTS TO 30 IN-LBS TORQUE
- SHEATH WATT DENSITY: 74 W/IN²
- UL FILE: E76225 MODEL: 2202



THIRD ANGLE PROJECTION



TOLERANCES UNLESS OTHERWISE SPECIFIED		EICHENAUER INC.			
DEC	FRACTIONS	ANGLES	292 Sunapee St., Newport, NH 03773 TEL: 603-863-1454 FAX: 603-863-1248		
.0 ± .06		± 1°	TITLE FLANGED BOILER HEATER		
.00 ± .025	± 1/16		208V 12KW 3PH		
.000 ± .010			SIZE B	FSCM NO.	DWG. NO. 300408
APPROVALS		DATE	SCALE 1:2		SHEET 2 of 3
DRAWN S. HEBERT		08/07/01			REV. 6
CHECKED					