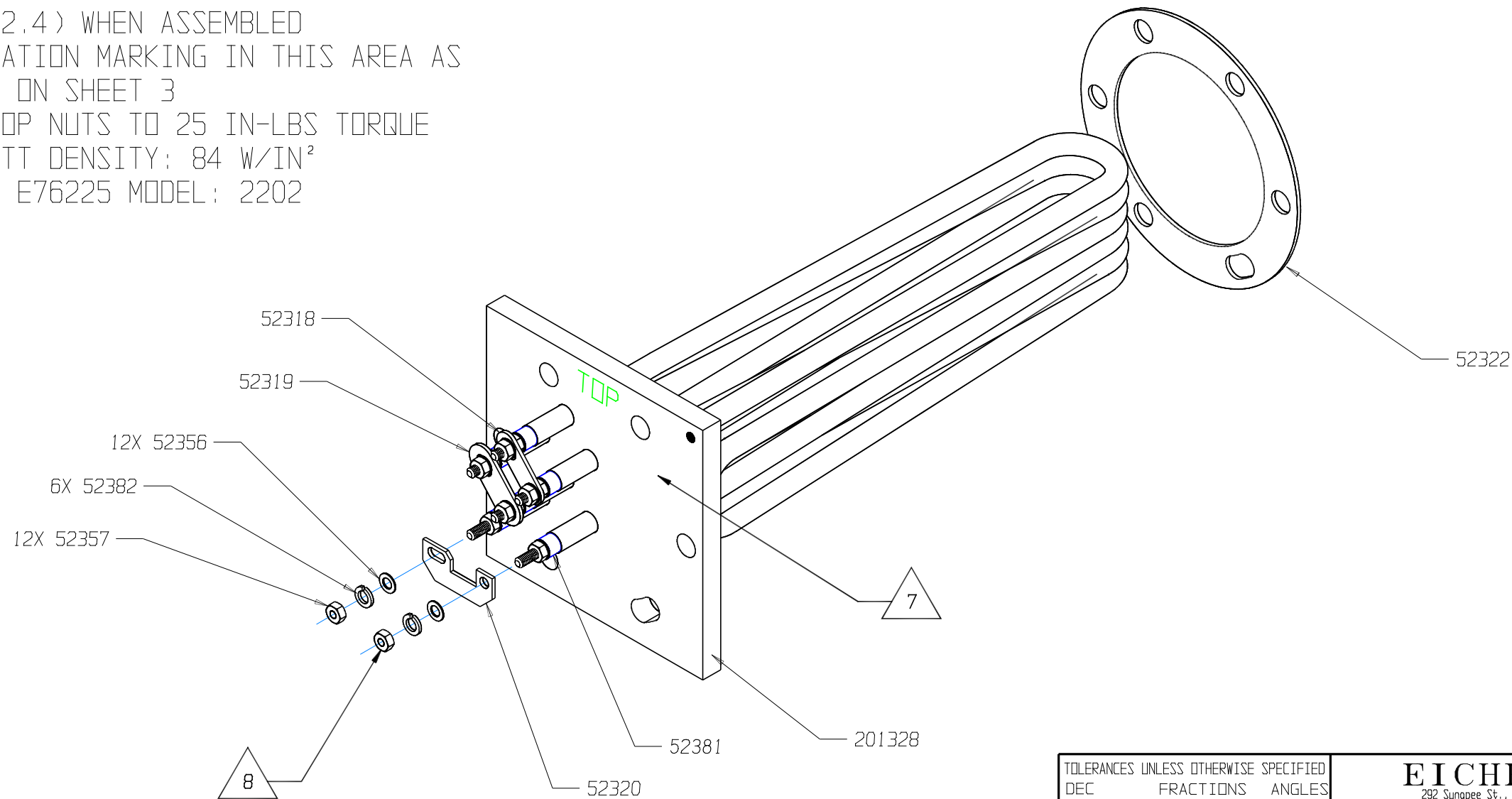


THIS DOCUMENT AND THE DATA DISCLOSED HEREIN OR HEREWITH IS NOT TO BE REPRODUCED, USED, OR DISCLOSED IN WHOLE OR IN PART TO ANYONE WITHOUT THE PERMISSION OF HARTFORD EICHENAUER, INC.

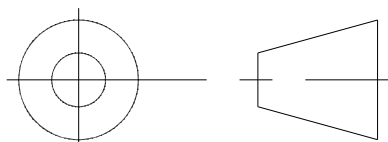
REVISIONS			
LTR/NO	DESCRIPTION	DATE	APPROVED
1	PRODUCTION RELEASE	08/07/01	SJH
2	ECN 033-01 (SHEET 2)	10/16/01	SJH
3	NOTES REVISED PER ECN 002-02	01/31/02	SJH
4	REVISED & REDRAWN PER ECN 024-02	07/30/02	SJH
5	ECN 018-03	8May03	JB
6	REVISED PER ECN 014-06	10/13/06	SJH

NOTES:

1. DIMENSIONS IN INCHES
2. FLANGE MATERIAL: MILD STEEL
3. SHEATH MATERIAL: 1.4571
4. TERMINAL PINS M4X.7 WITH NUTS AND WASHERS AS SHOWN
5. COLD RESISTANCE: $16.9\ \Omega$ +10%/-5% (16.1 - 18.6) PER TUBE
6. BUSS TO BUSS RESISTANCE: $11.3\ \Omega$ +10%/-5% (10.8 - 12.4) WHEN ASSEMBLED
7. IDENTIFICATION MARKING IN THIS AREA AS SPECIFIED ON SHEET 3
8. TIGHTEN TOP NUTS TO 25 IN-LBS TORQUE
9. SHEATH WATT DENSITY: 84 W/IN²
10. UL FILE: E76225 MODEL: 2202



THIRD ANGLE PROJECTION



TOLERANCES UNLESS OTHERWISE SPECIFIED		EICHENAUER INC. 292 Sunapee St., Newport, NH 03773 TEL: 603-863-1454 FAX: 603-863-1248					
DEC	FRACTIONS ANGLES						
.0 ± .06		FLANGED BOILER HEATER 240V, 10KW, 3PH					
.00 ± .025	± 1/16 ± 1°						
.000 ± .010							
APPROVALS		DATE		SIZE	FSCM NO.	DWG. NO.	REV.
DRAWN S. HEBERT		08/07/01		B		300409	6
CHECKED				SCALE	SHEET		
				1:2	1 of 3		

THIS DOCUMENT AND THE DATA DISCLOSED HEREIN OR HEREWITH IS NOT TO BE REPRODUCED, USED, OR DISCLOSED IN WHOLE OR IN PART TO ANYONE WITHOUT THE PERMISSION OF HARTFORD EICHENAUER, INC.

6 REVISED PER ECN 014-06

10/13/06

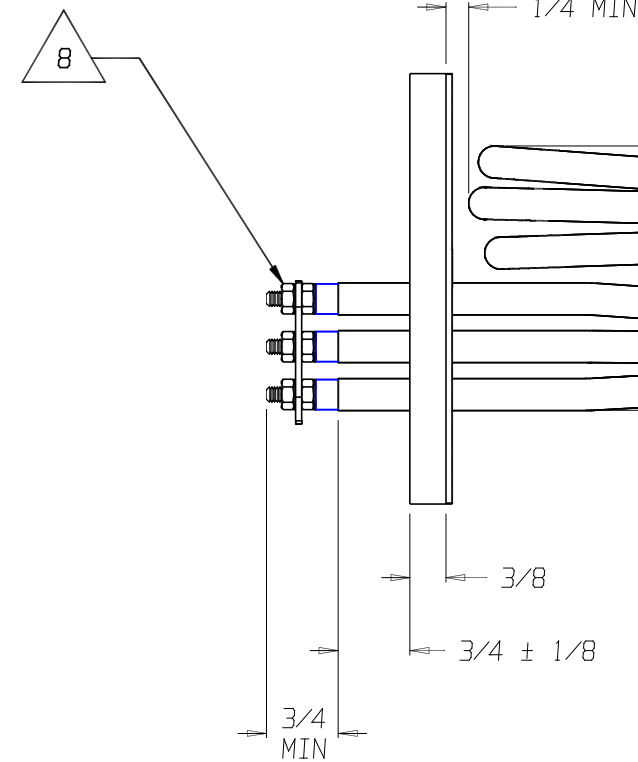
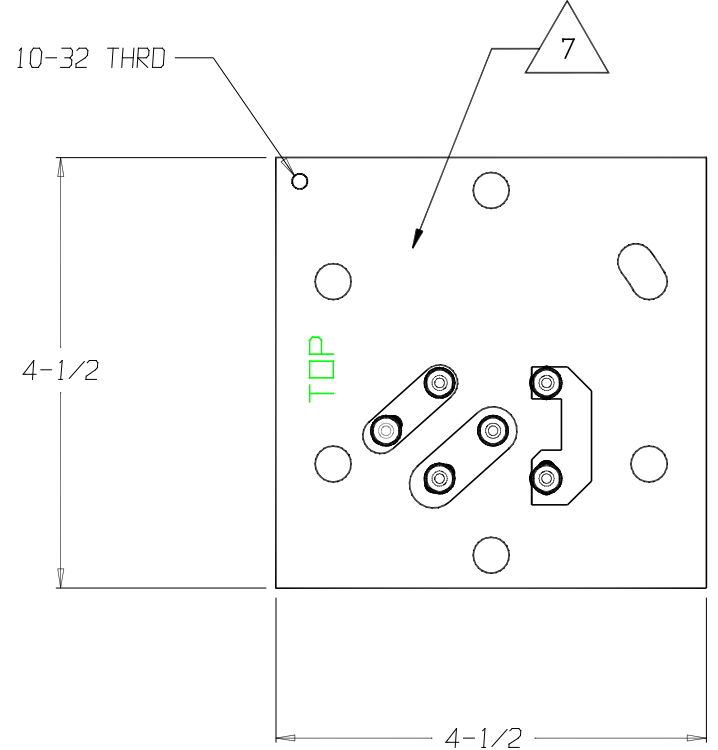
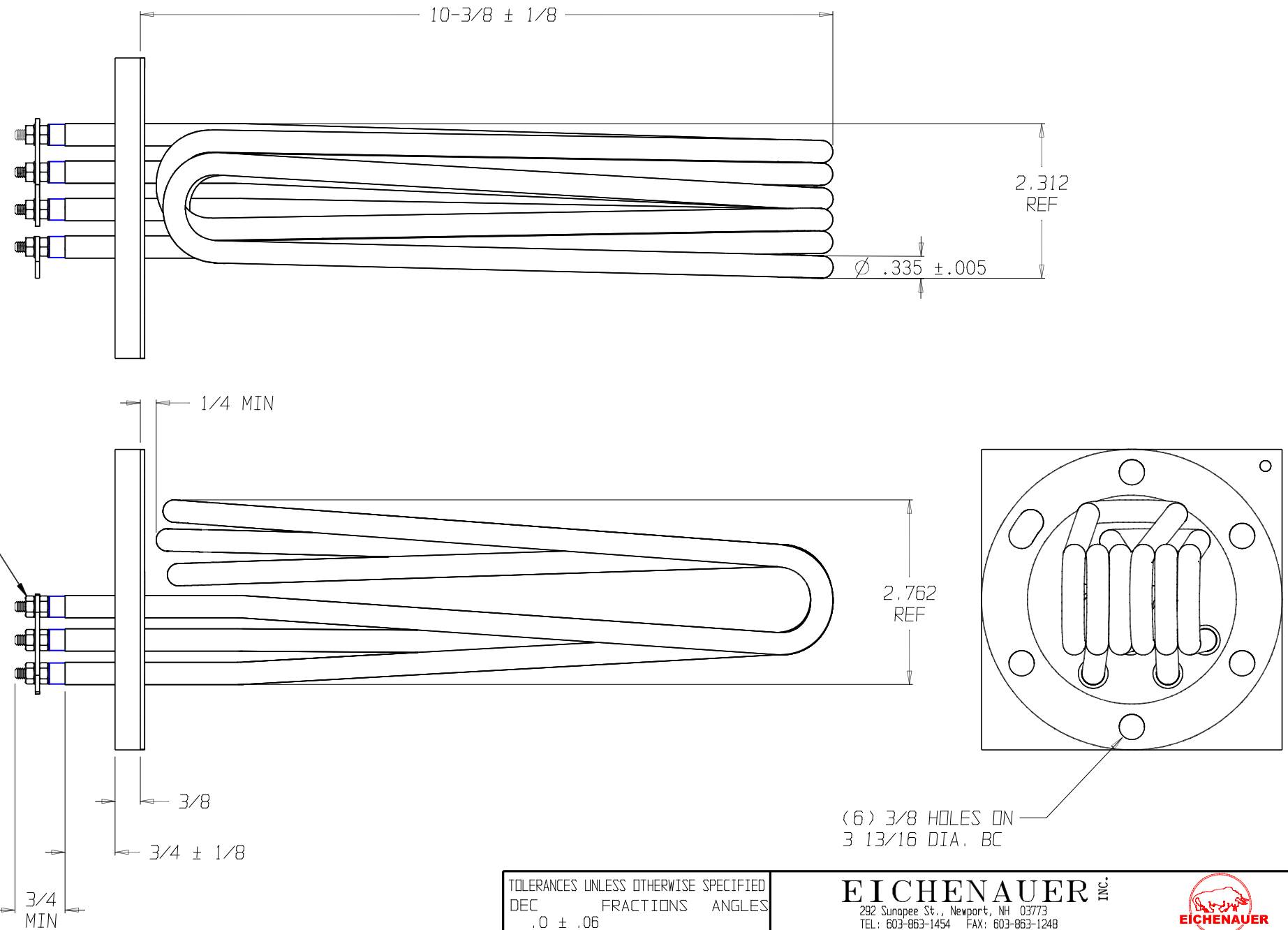
SJH

REVISIONS

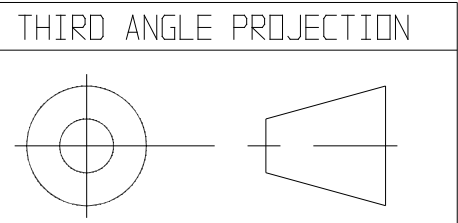
LTR/NO	DESCRIPTION	DATE	APPROVED
1	PRODUCTION RELEASE	08/07/01	SJH
2	B.C. DIA WAS 3 7/8 PER ECN 033-01	10/16/01	SJH
3	NOTES REVISED PER ECN 002-02	01/31/02	SJH
4	REVISED & REDRAWN PER ECN 024-02	07/30/02	SJH
5	ECN 018-03	8May03	JB


NOTES:

1. DIMENSIONS IN INCHES
2. FLANGE MATERIAL: MILD STEEL
3. SHEATH MATERIAL: 1.4571
4. TERMINAL PINS M4X.7 WITH NUTS AND WASHERS AS SHOWN
5. COLD RESISTANCE: $16.9\ \Omega \pm 10\%/-5\%$ (16.1 - 18.6) PER TUBE
6. BUSS TO BUSS RESISTANCE: $11.3\ \Omega \pm 10\%/-5\%$ (10.8 - 12.4) WHEN ASSEMBLED
7. IDENTIFICATION MARKING IN THIS AREA AS SPECIFIED ON SHEET 3
8. TIGHTEN TOP NUTS TO 25 IN-LBS TORQUE
9. SHEATH WATT DENSITY: 84 W/IN²
10. UL FILE: E76225 MODEL: 2202



(6) 3/8 HOLES ON 3 13/16 DIA. BC



TOLERANCES UNLESS OTHERWISE SPECIFIED DEC FRACTIONS ANGLES .0 ± .06 .00 ± .025 ± 1/16 ± 1° .000 ± .010		EICHENAUER INC. 292 Sunapee St., Newport, NH 03773 TEL: 603-863-1454 FAX: 603-863-1248 	
APPROVALS DRAWN S. HEBERT CHECKED		DATE 08/07/01 TITLE FLANGED BOILER HEATER 240V, 10KW, 3PH DWG. NO. 300409 REV. 6	
SCALE 1:2		SHEET 2 of 3	