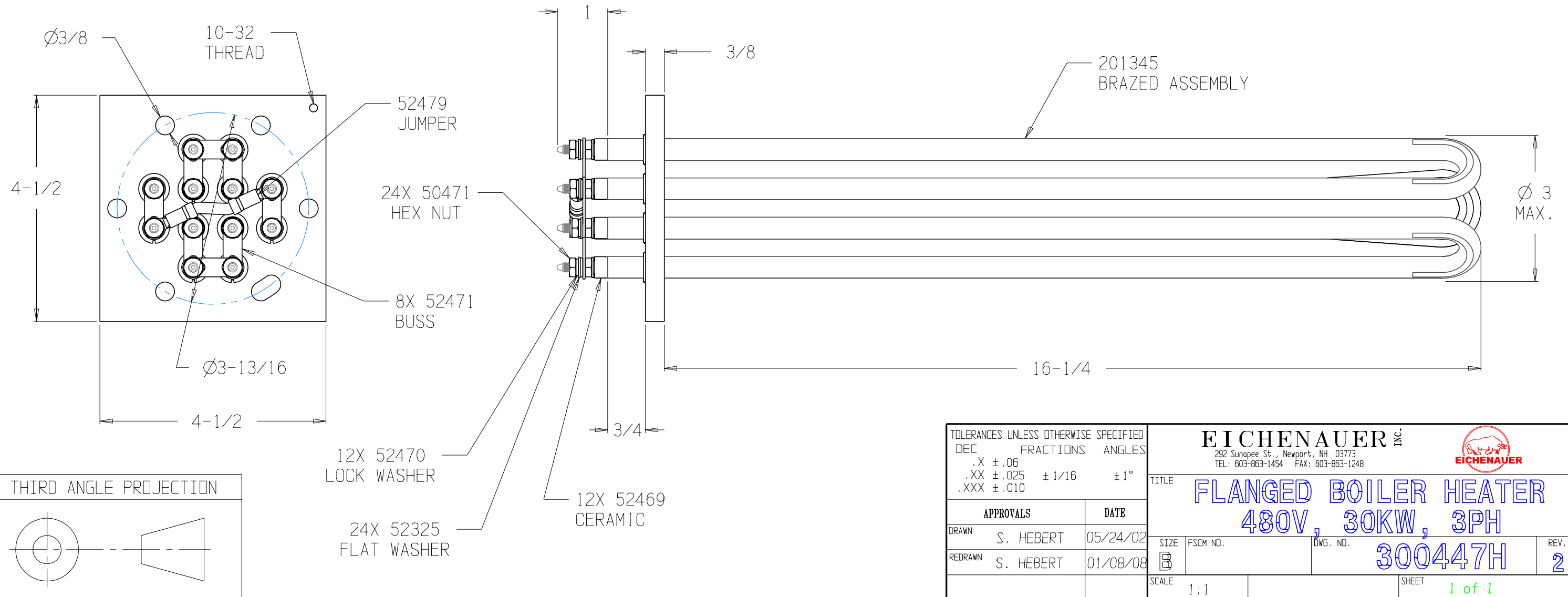
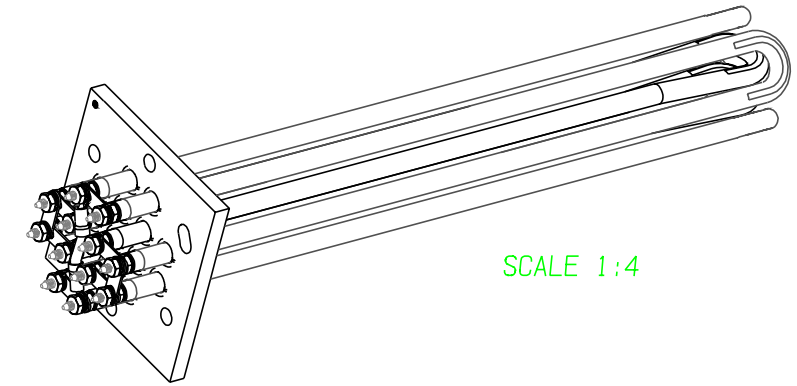



THIS DOCUMENT AND THE DATA DISCLOSED HEREIN OR HEREWITH IS NOT TO BE REPRODUCED, USED, OR DISCLOSED IN WHOLE OR IN PART TO ANYONE WITHOUT THE PERMISSION OF EICHENAUER, INC.

REVISIONS			
LTR/NO	DESCRIPTION	DATE	APPROVED
1	PRODUCTION RELEASE (WAS P1069C)	09/04/02	SJH
2	REVISED PER ECN 001-08	01/08/08	SJH

NOTES:

1. DIMENSIONS IN INCHES
2. FLANGE MATERIAL: MILD STEEL
3. SHEATH MATERIAL: 1.4571
4. GASKET 52322 NOT SHOWN
5. TERMINAL PINS: 10-32 WITH NUTS & WASHERS AS SHOWN. TOP NUTS TIGHTENED TO 30 IN-LBS TORQUE
6. COLD RESISTANCE: $45.2 \Omega \pm 10\% / -5\%$ (43.0 - 49.7) PER TUBE
7. COLD RESISTANCE: $15.1 \Omega \pm 10\% / -5\%$ (14.3 - 16.6) AS ASSEMBLED L1-L2-L3
8. SHEATH WATT DENSITY: 121 W/IN²
9. UL FILE: E76225 MODEL: 2202
10. WIRING DIAGRAM: WDG-002



TOLERANCES UNLESS OTHERWISE SPECIFIED		EICHENAUER INC. 292 Sunapee St., Newport, NH 03773 TEL: 603-863-1454 FAX: 603-863-1248				
DEC	FRACTIONS	ANGLES	TITLE			
.X ± .06			FLANGED BOILER HEATER			
.XX ± .025	± 1/16	± 1°	480V, 30KW, 3PH			
.XXX ± .010			300447H			
APPROVALS		DATE	SIZE	FSCM NO.	DWG. NO.	REV.
DRAWN	S. HEBERT	05/24/02	B			2
REDRAWN	S. HEBERT	01/08/08				
SCALE			SHEET			
1:1			1 of 1			