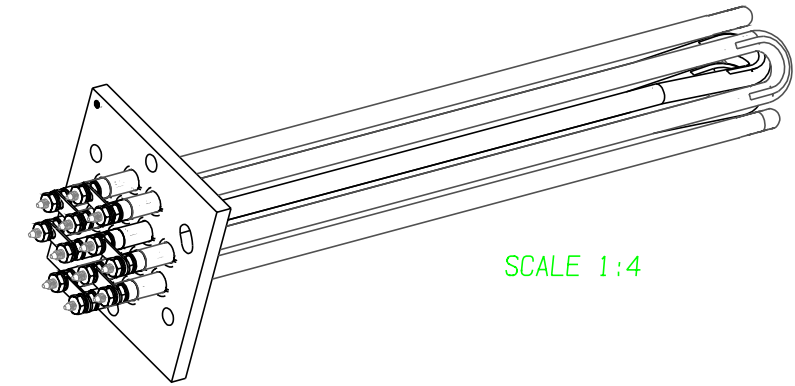


THIS DOCUMENT AND THE DATA DISCLOSED HEREIN OR HEREWITH IS NOT TO BE REPRODUCED, USED, OR DISCLOSED IN WHOLE OR IN PART TO ANYONE WITHOUT THE PERMISSION OF EICHENAUER, INC.

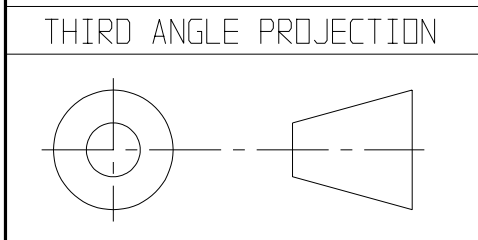
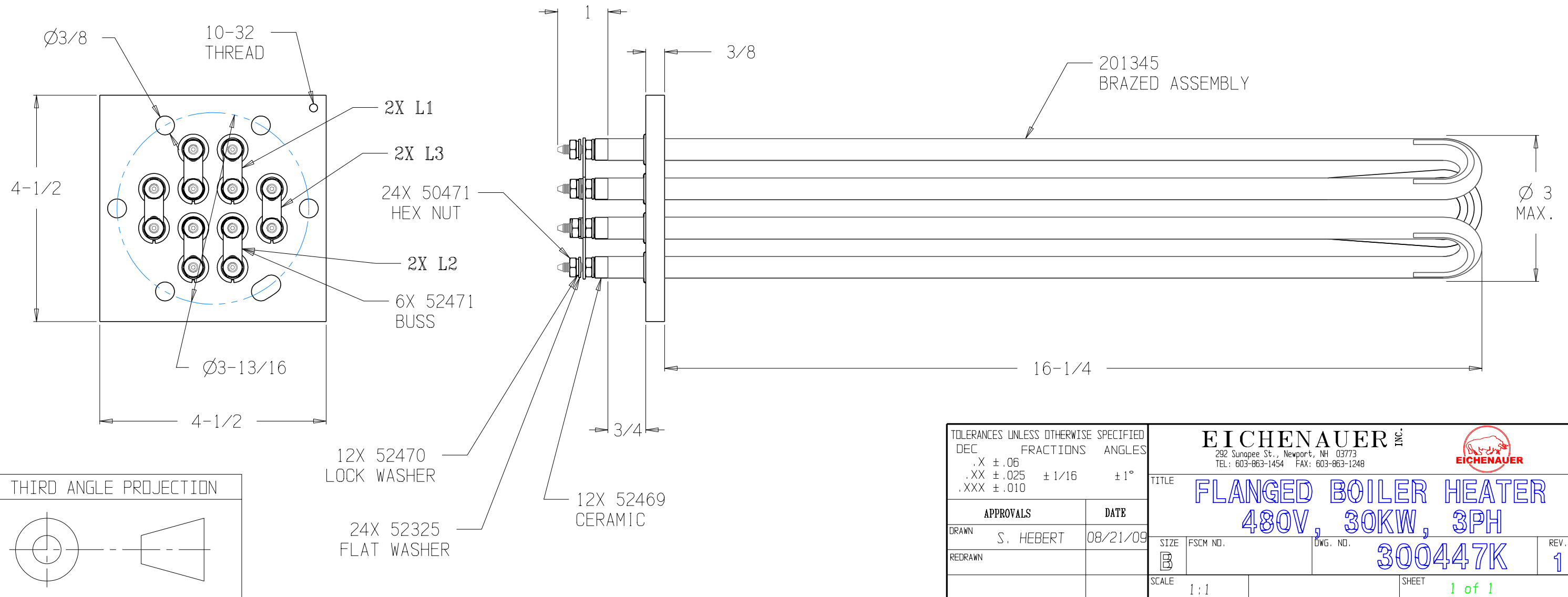
REVISIONS			
LTR/NO	DESCRIPTION	DATE	APPROVED
1	PRODUCTION RELEASE	08/21/09	SJH

NOTES:

1. DIMENSIONS IN INCHES
2. FLANGE MATERIAL: MILD STEEL
3. SHEATH MATERIAL: 1.4571
4. GASKET 52322 NOT SHOWN
5. TERMINAL PINS: 10-32 WITH NUTS & WASHERS AS SHOWN. TOP NUTS TIGHTENED TO 30 IN-LBS TORQUE
6. COLD RESISTANCE:  $45.2 \Omega \pm 10\% / -5\%$  (43.0 - 49.7) PER TUBE
7. COLD RESISTANCE:  $30.1 \Omega \pm 10\% / -5\%$  (28.7 - 33.1) AS ASSEMBLED L1-L2-L3
8. SHEATH WATT DENSITY: 121 W/IN<sup>2</sup>
9. UL FILE: E76225 MODEL: 2202
10. WIRING DIAGRAM: WDG-002



SCALE 1:4



TOLERANCES UNLESS OTHERWISE SPECIFIED		<b>EICHENAUER INC.</b>	
DEC	FRACTIONS	292 Sunapee St., Newport, NH 03773	
.X ± .06		TEL: 603-863-1454 FAX: 603-863-1248	
.XX ± .025	± 1/16	TITLE	
.XXX ± .010	± 1°	<b>FLANGED BOILER HEATER</b>	
APPROVALS	DATE	SIZE	FSCM NO.
DRAWN S. HEBERT	08/21/09	B	DWG. NO.
REDRAWN		SCALE	1:1
		SHEET	1 of 1
			REV. 1
			<b>300447K</b>