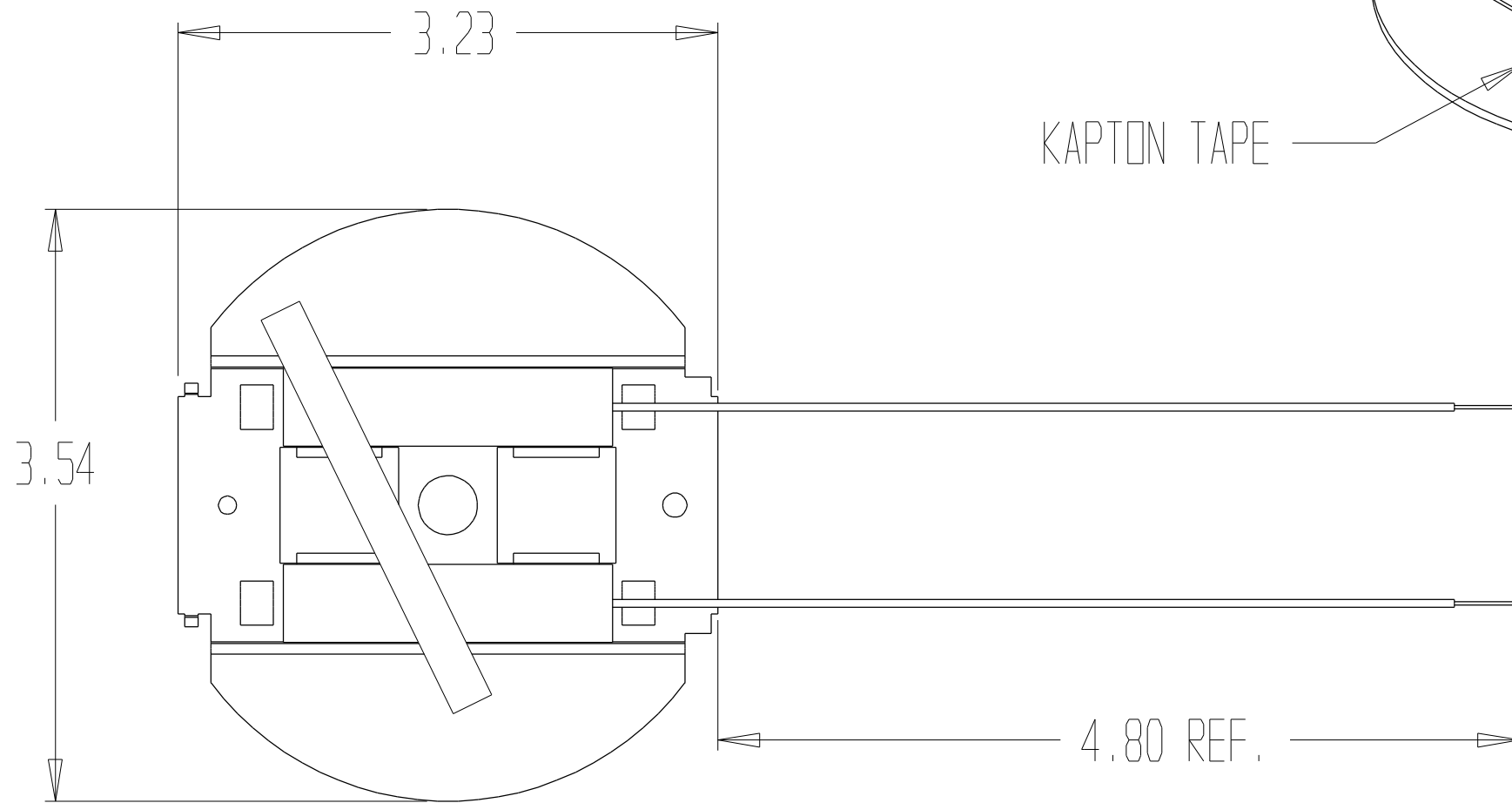


THIS DOCUMENT AND THE DATA DISCLOSED HEREIN OR HEREWITH IS NOT TO BE REPRODUCED, USED, OR DISCLOSED IN WHOLE OR IN PART TO ANYONE WITHOUT THE PERMISSION OF HARTFORD EICHENAUER, INC.

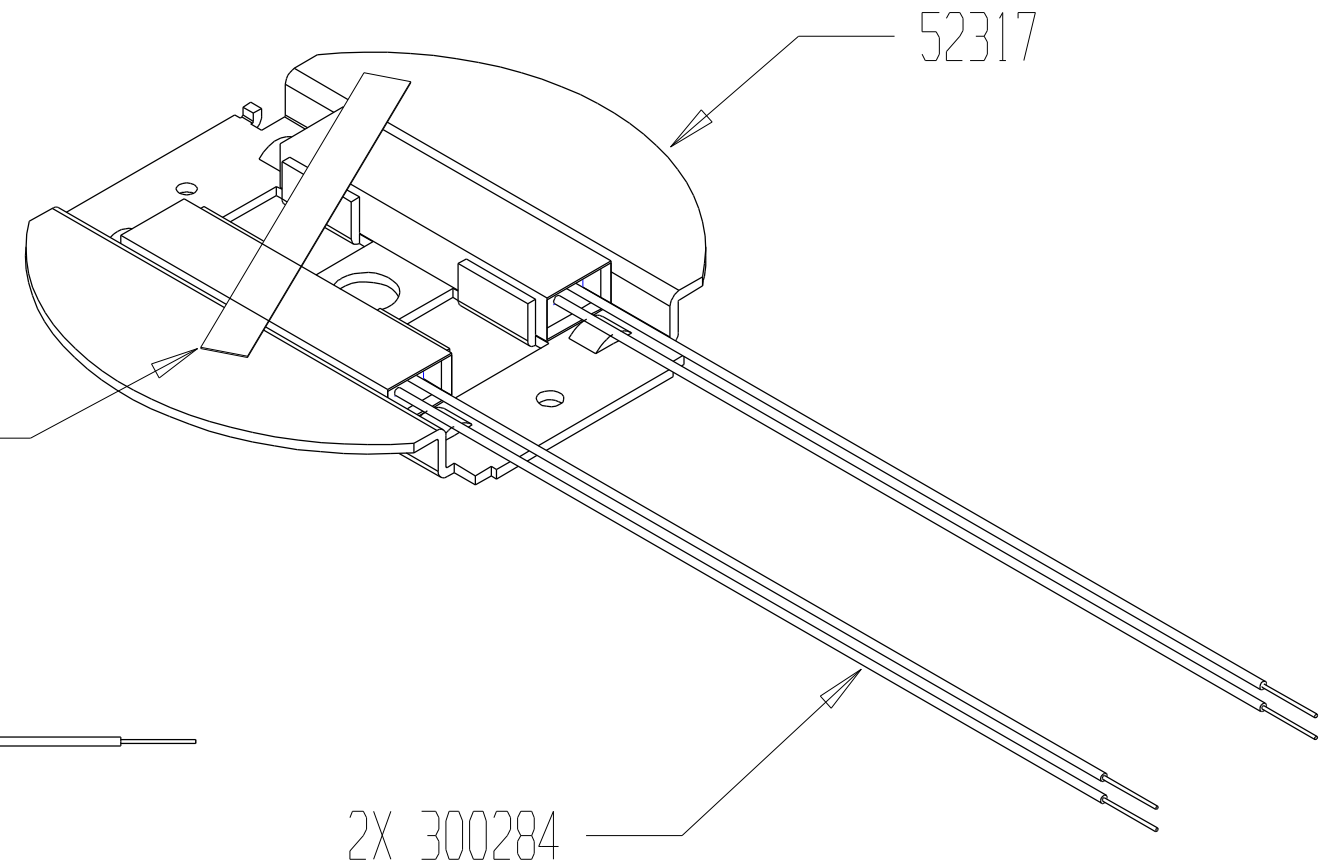
REVISIONS			
LTR/NO	DESCRIPTION	DATE	APPROVED
1	PRODUCTION RELEASE ECN 007-03	03/31/03	JB

NOTES:

1. DIMENSIONS IN INCHES
2. PLACE KAPTON TAPE ACROSS BOTH PTC ELEMENTS WITHOUT BLOCKING HOLES IN ALUMINUM AS SHOWN.
3. UL FILE E76225, CAT. DES.: 8312x7/40/36/50-I/06/E-003



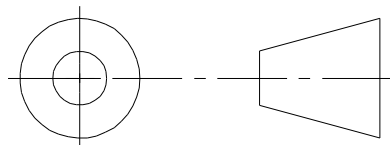
KAPTON TAPE



52317

2X 300284

THIRD ANGLE PROJECTION



TOLERANCES UNLESS OTHERWISE SPECIFIED  
 DEC FRACTIONS ANGLES  
 .0 ± .06  
 .00 ± .025 ± 1/16 ± 1°  
 .000 ± .010

APPROVALS	DATE
DRAWN J. BASTIAN	03/31/03
CHECKED -	-

**HARTFORD EICHENAUER** 292 Sunapee St., Newport, NH 03773  
 TEL: 603-863-1454 FAX: 603-863-1248



TITLE  
**A94 PTC HEATER  
 SL-764**

SIZE B	FSCM NO.	DWG. NO. 300455	REV. 1
SCALE 1:1	SHEET 1 of 1		