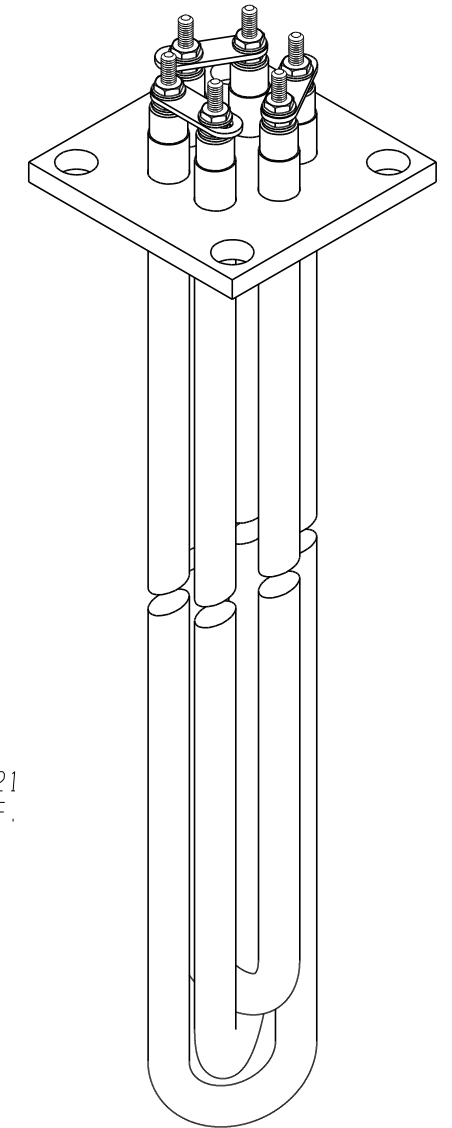
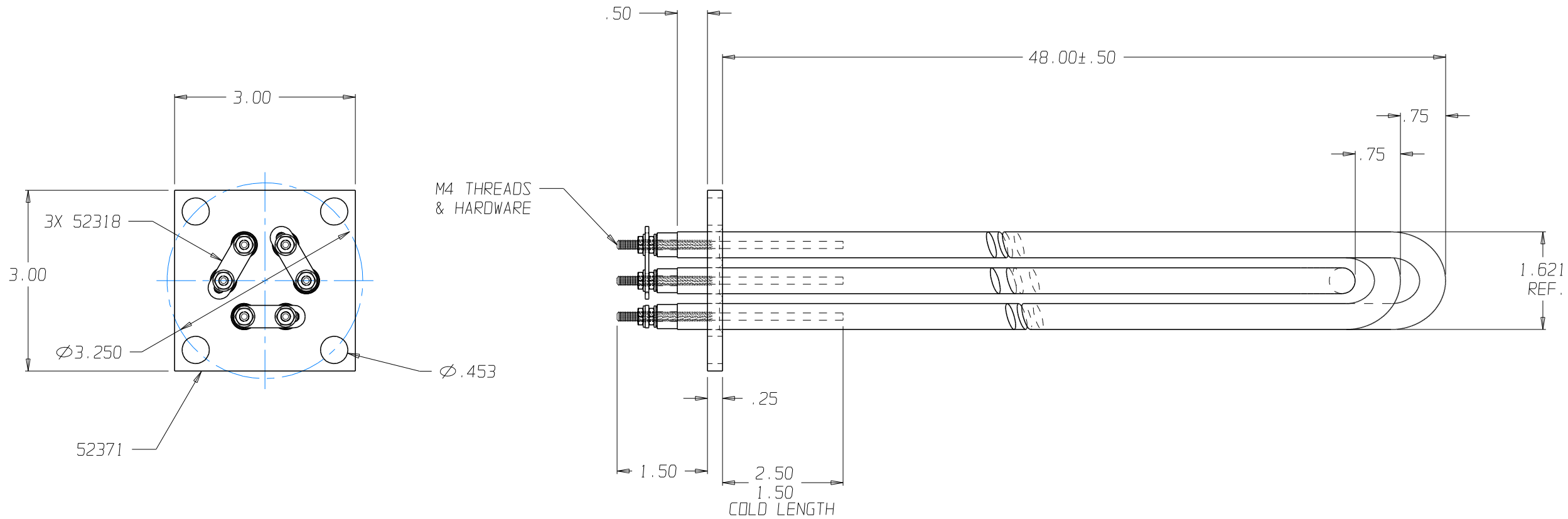


THIS DOCUMENT AND THE DATA DISCLOSED HEREIN OR HEREWITH IS NOT TO BE REPRODUCED, USED, OR DISCLOSED IN WHOLE OR IN PART TO ANYONE WITHOUT THE PERMISSION OF HARTFORD EICHENAUER, INC.

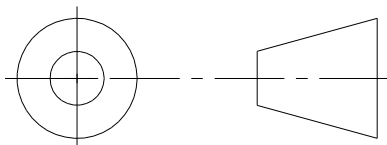
REVISIONS			
LTR/NO	DESCRIPTION	DATE	APPROVED
1	PRODUCTION RELEASE (WAS P1108D)	05/05/03	SJH

NOTES:

1. DIMENSIONS IN INCHES
2. COLD RESISTANCE =  $18.8\Omega$  (20.7 - 17.9) FOR EACH ELEMENT
3. SILVER BRAZE TUBES TO FLANGE  
PRESSURE TEST AT 150 PSI FOR 1 MINUTE
4. TUBE MATERIAL: 1.4571 STAINLESS STEEL
5. TUBE DIAMETER =  $.430 \pm .005$
6. SURFACE WATT LOADING =  $113 \text{ W/IN}^2$  (SHORT TUBE)
7. TUBES LOCATED ON 1.375 BCD, EQUALLY SPACED,  
CENTERED ON FLANGE
- 8: FLANGE MATERIAL: BRASS



THIRD ANGLE PROJECTION



TOLERANCES UNLESS OTHERWISE SPECIFIED  
DEC FRACTIONS ANGLES  
.0 ± .06  
.00 ± .025 ± 1/16 ± 1°  
.000 ± .010

HARTFORD 292 Sunapee St., Newport, NH 03773  
TEL: 603-863-1454 FAX: 603-863-1248  
EICHENAUER



TITLE  
FLANGED IMMERSION HTR  
480V, 36KW, 3PH

APPROVALS DATE  
DRAWN S. HEBERT 05/05/03

SIZE FSCM NO. DWG. NO. REV.  
B 300469 1

CHECKED -

SCALE 1:2 SHEET 1 of 1