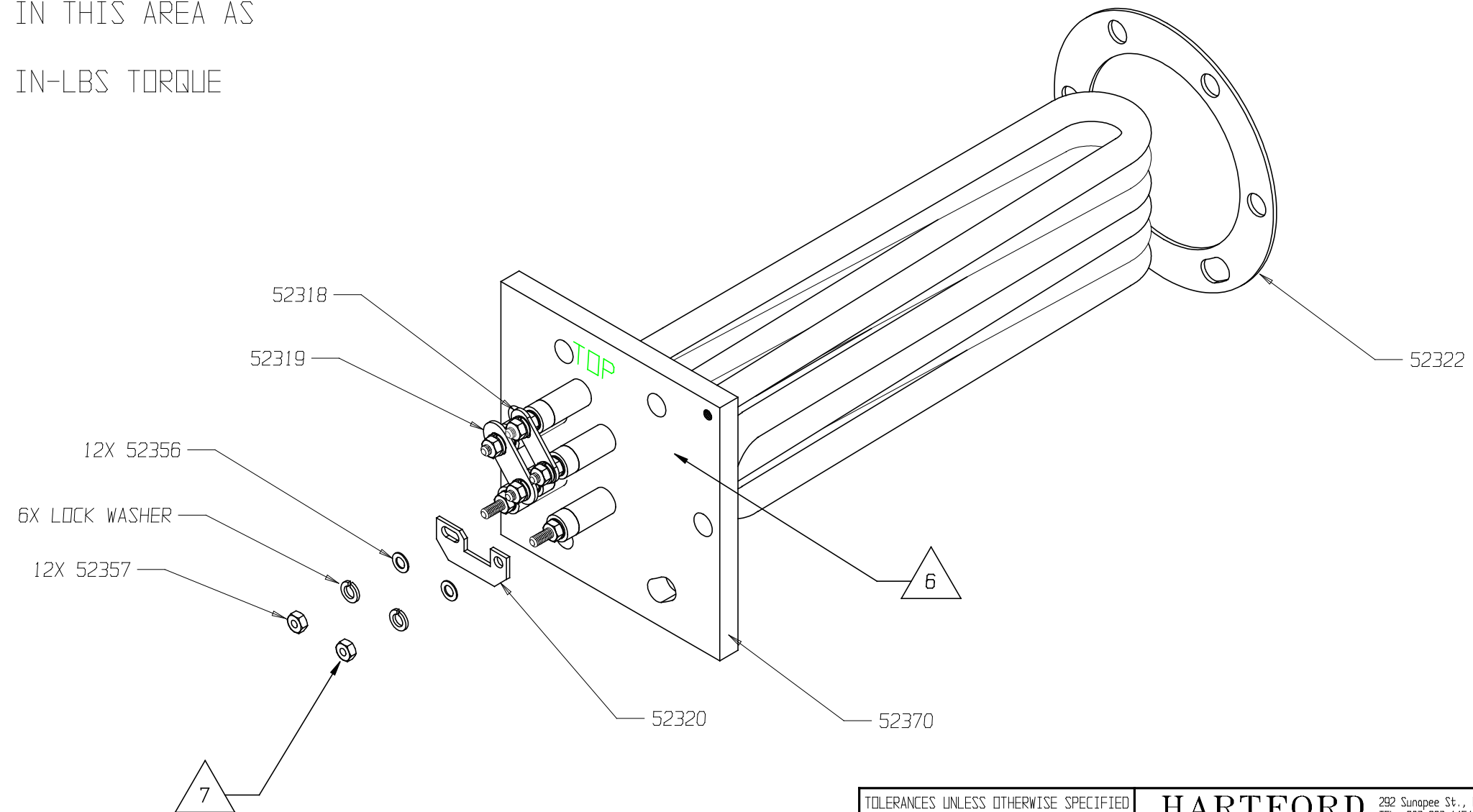


THIS DOCUMENT AND THE DATA DISCLOSED HEREIN OR HEREWITH IS NOT TO BE REPRODUCED, USED, OR DISCLOSED IN WHOLE OR IN PART TO ANYONE WITHOUT THE PERMISSION OF HARTFORD EICHENAUER, INC.

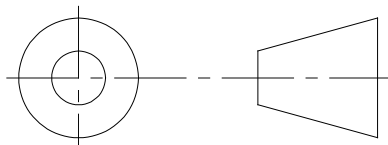
REVISIONS			
LTR/NO	DESCRIPTION	DATE	APPROVED
A	QUOTATION RELEASE	02/03/03	JB
1	PRODUCTION RELEASE (WAS P1106)	05/12/03	SJH


NOTES:

1. COLD RESISTANCE = 8.47Ω (9.32-8.05) FOR EACH ELEMENT
WATTAGE TOLERANCE = +5% -10% AT RATED VOLTAGE
2. TUBES RECOMPACTED IN BEND AREA
3. SILVER BRAZE TUBES TO FLANGE.
PRESSURE TEST AT 250 PSI FOR 1 MINUTE
4. NOT SHOWN: 52326 THREAD SEALANT
5. TUBE MATERIAL: 1.4571 OR EQUIVALENT
6. IDENTIFICATION MARKING IN THIS AREA AS SPECIFIED ON SHEET 3
7. TIGHTEN TOP NUTS TO 25 IN-LBS TORQUE



THIRD ANGLE PROJECTION



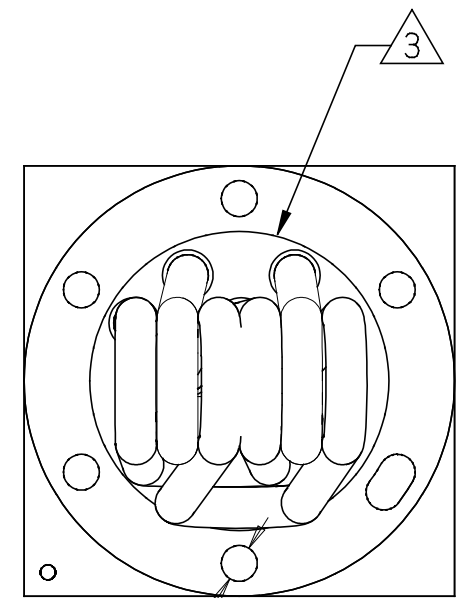
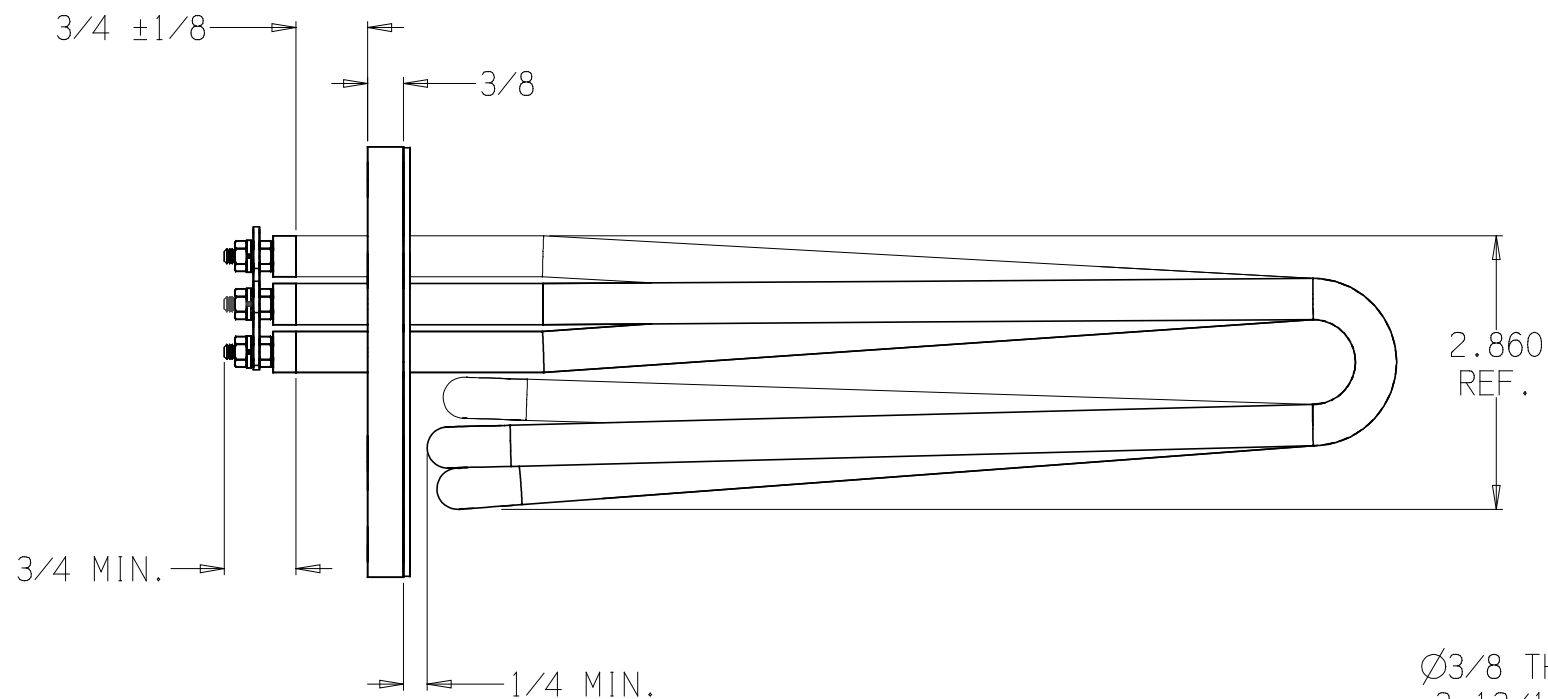
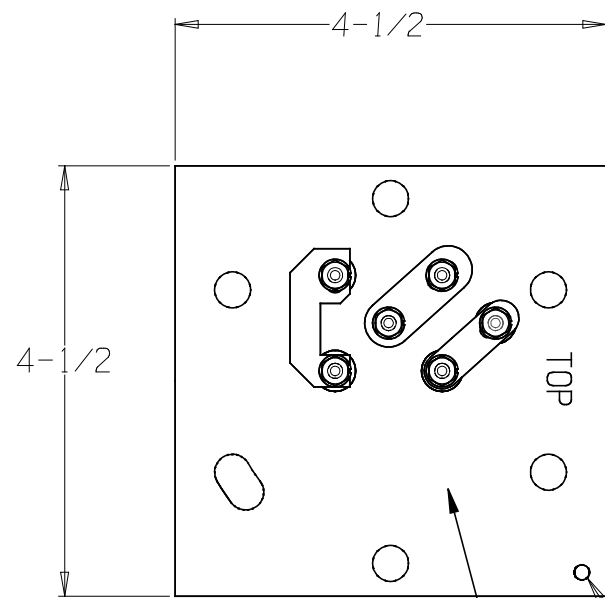
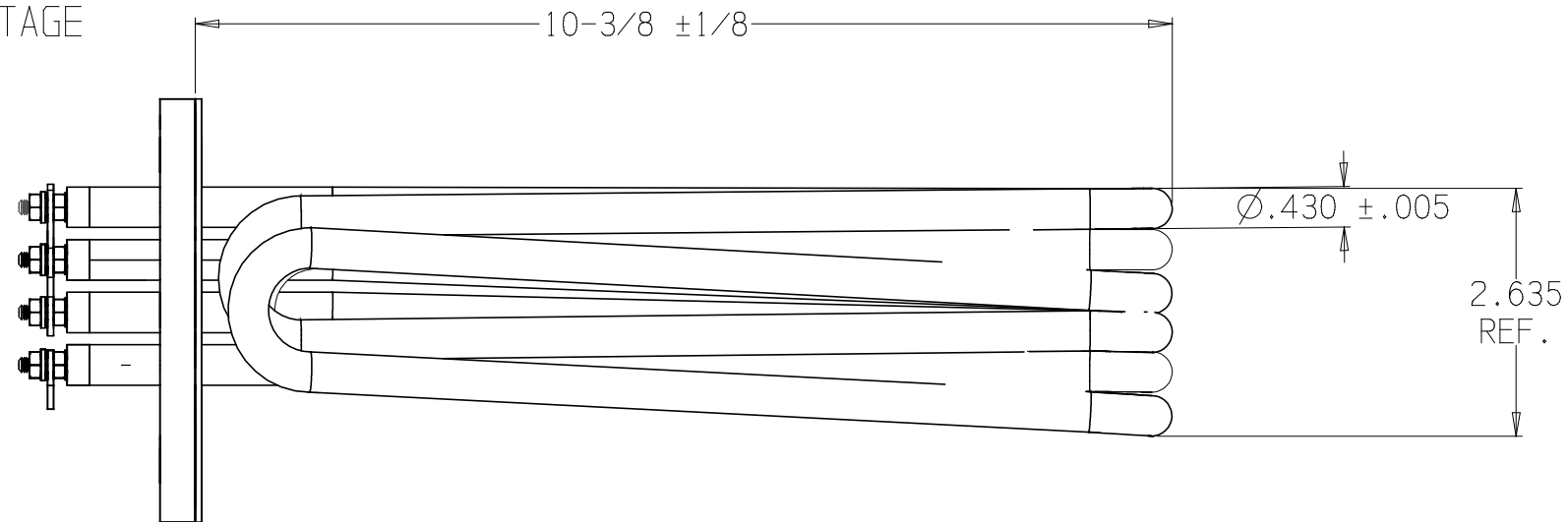
TOLERANCES UNLESS OTHERWISE SPECIFIED		HARTFORD EICHENAUER ^{INC}		292 Sunapee St., Newport, NH 03773 TEL: 603-863-1454 FAX: 603-863-1248	
DEC	FRACTIONS	ANGLES			
.0 ± .06		± 1°	TITLE FLANGED BOILER HEATER		
.00 ± .025	± 1/16		240V, 20KW, 3PH		
.000 ± .010			SIZE	FSCM NO.	DWG. NO.
APPROVALS		DATE	B		300473
DRAWN S. HEBERT		05/12/03	SCALE	1:2	REV. 1
CHECKED -		-	SHEET		1 of 3

THIS DOCUMENT AND THE DATA DISCLOSED HEREIN OR HEREWITH IS NOT TO BE REPRODUCED, USED, OR DISCLOSED IN WHOLE OR IN PART TO ANYONE WITHOUT THE PERMISSION OF HARTFORD EICHENAUER, INC.

REVISIONS			
LTR/NO	DESCRIPTION	DATE	APPROVED
A	QUOTATION RELEASE	02/04/03	JB
1	PRODUCTION RELEASE (WAS P1106)	05/12/03	SJH

NOTES:

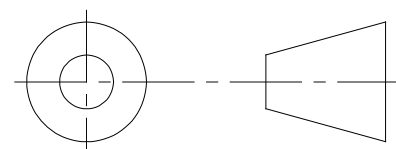
1. DIMENSIONS IN INCHES
2. COLD RESISTANCE = $8.47\ \Omega$ (9.32-8.05) FOR EACH ELEMENT
WATTAGE TOLERANCE = +5% -10% AT RATED VOLTAGE
3. TUBES MUST BE CONTAINED INSIDE THIS AREA (3.12 DIA CENTERED)
4. IDENTIFICATION MARKING IN THIS AREA AS SPECIFIED ON SHEET 3
5. TIGHTEN TOP NUTS TO 25 IN-LBS TORQUE



#10-32 THD

Ø3/8 THRU 6X ON A
3-13/16 DIA. B.C.

THIRD ANGLE PROJECTION



TOLERANCES UNLESS OTHERWISE SPECIFIED	
DEC	FRACTIONS ANGLES
.0 ± .06	
.00 ± .025	± 1/16 ± 1°
.000 ± .010	
APPROVALS	DATE
DRAWN S. HEBERT	05/12/03
CHECKED -	-

HARTFORD EICHENAUER 292 Sunapee St., Newport, NH 03773
TEL: 603-863-1454 FAX: 603-863-1248

FLANGED BOILER ELEMENT
240V, 20KW, 3PH

SIZE B FSCM NO. DWG. NO. 300473 REV. 1

SCALE 1:2 SHEET 2 of 3

