

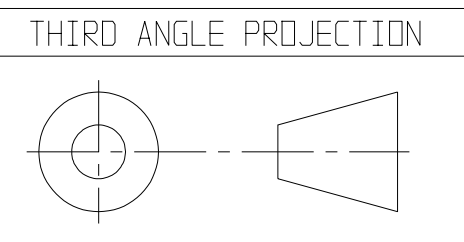
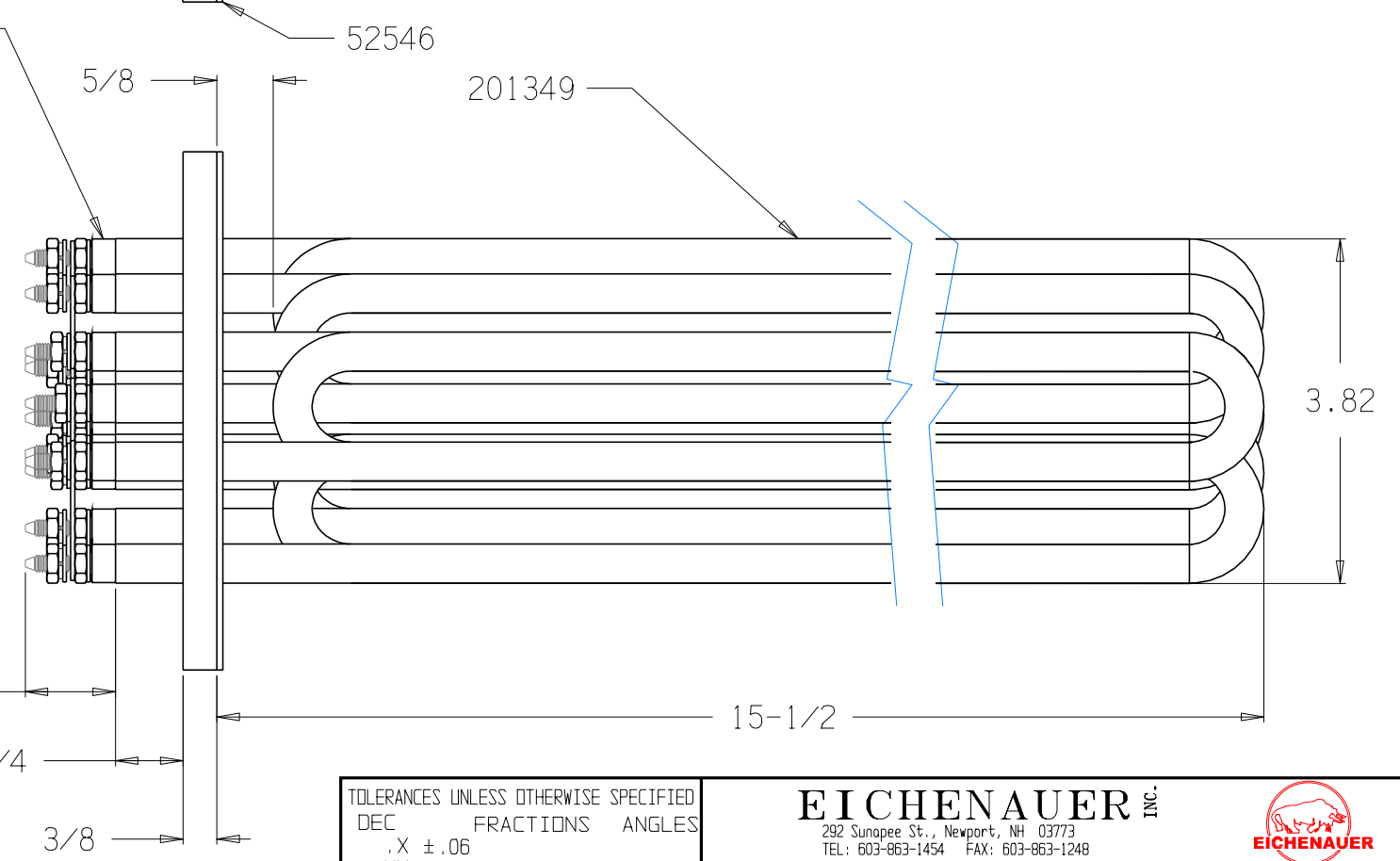
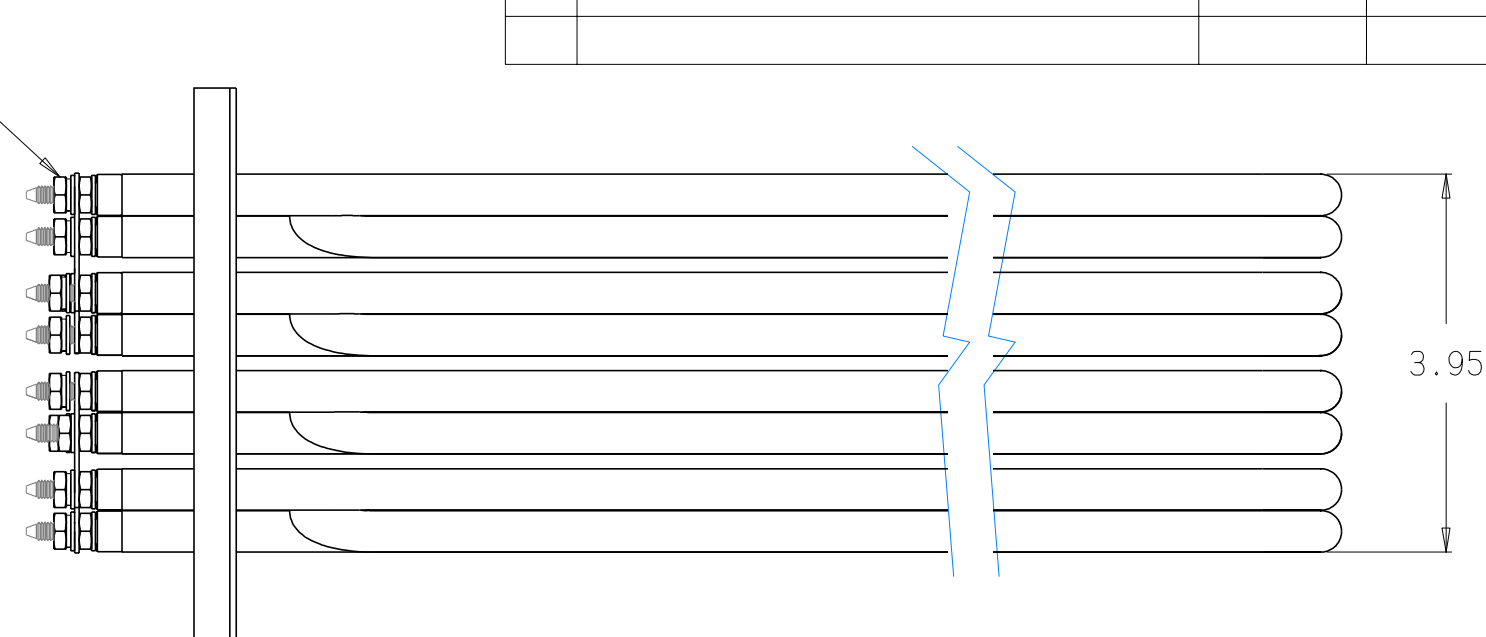
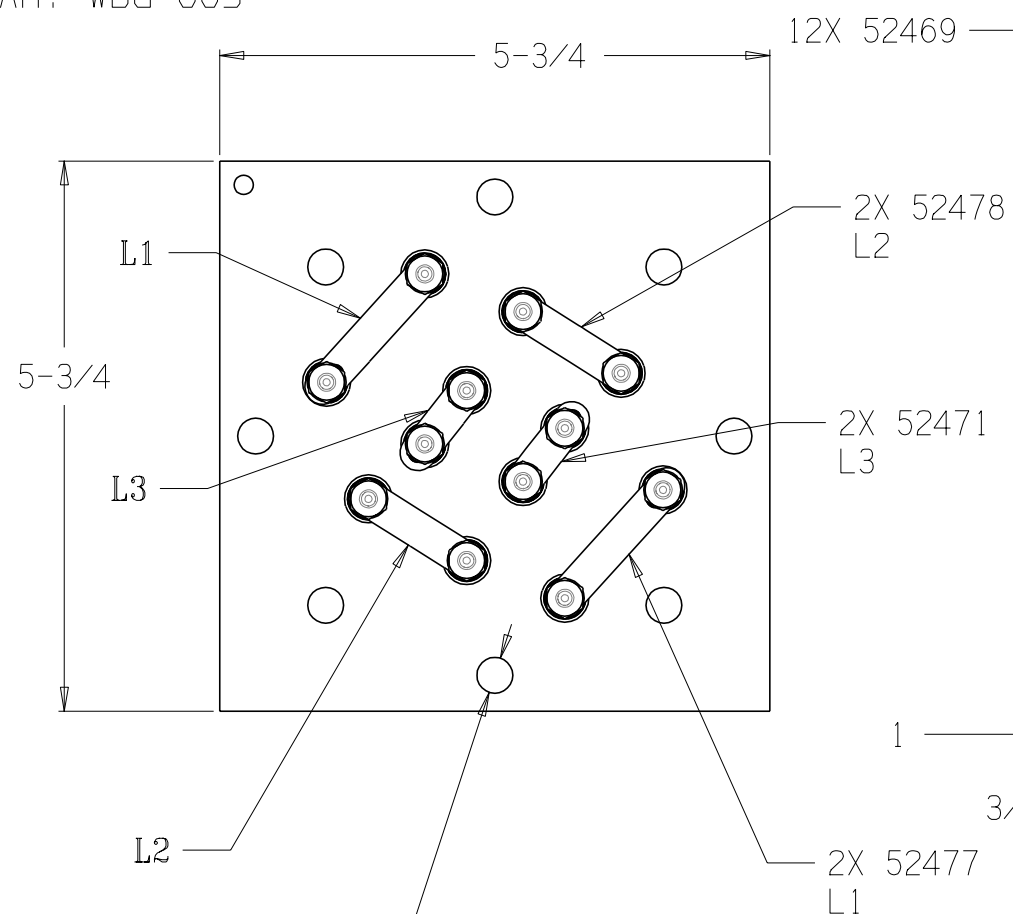
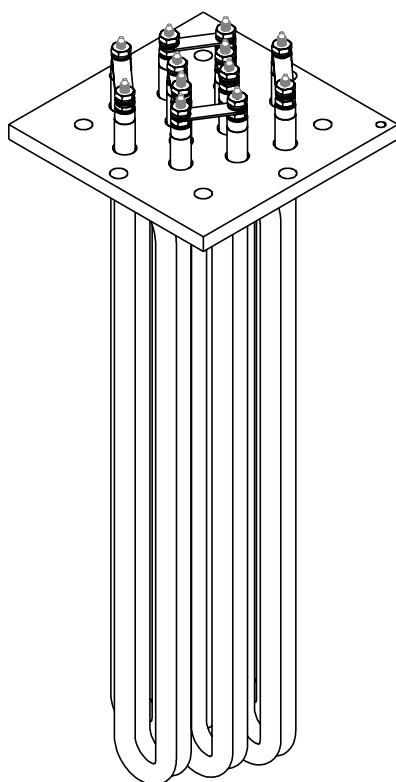
THIS DOCUMENT AND THE DATA DISCLOSED HEREIN OR HERewith IS NOT TO BE REPRODUCED, USED, OR DISCLOSED IN WHOLE OR IN PART TO ANYONE WITHOUT THE PERMISSION OF HARTFORD EICHENAUER, INC.

REVISIONS			
LTR/NO	DESCRIPTION	DATE	APPROVED
1	PRODUCTION RELEASE	08/21/09	SJH

NOTES:

1. DIMENSIONS IN INCHES
2. FLANGE MATERIAL: STEEL
3. SHEATH MATERIAL: 1.4571
4. TERMINAL PINS: #10-32 WITH NUTS & WASHERS AS SHOWN
5. COLD RESISTANCE: $30.1\Omega \pm 10\%/-5\%$ (28.7 - 33.1) PER TUBE
6. TOTAL RESISTANCE: $20.1\Omega \pm 10\%/-5\%$ (19.1 - 22.1) L1-L2, L2-L3, L1-L3
7. TIGHTEN TOP NUTS TO 30 IN-LBS TORQUE
8. SHEATH WATT DENSITY: 93 W/IN²
9. UL FILE: E76225, MODEL 2202
10. WIRING DIAGRAM: WDG-003

24X 52325 FLAT WASHERS
 24X 50471 HEX NUTS
 12X 52470 SPLIT WASHERS



(8) \varnothing 3/8 HOLES ON 5.0 DIA BC

TOLERANCES UNLESS OTHERWISE SPECIFIED		EICHENAUER INC. 292 Sunapee St., Newport, NH 03773 TEL: 603-863-1454 FAX: 603-863-1248		
DEC	FRACTIONS			
.X	$\pm .06$			
.XX	$\pm .025$	$\pm 1/16$	$\pm 1^\circ$	
.XXX	$\pm .010$			
APPROVALS		DATE		TITLE 5-3/4" FLANGED IMMERSERS 480V 45KW 3PH
DRAWN S. HEBERT		08/21/09		
CHECKED		SIZE	FSCM NO.	DWG. NO.
		B		300537K
		SCALE	1:2	SHEET
				1 of 1
				REV. 1