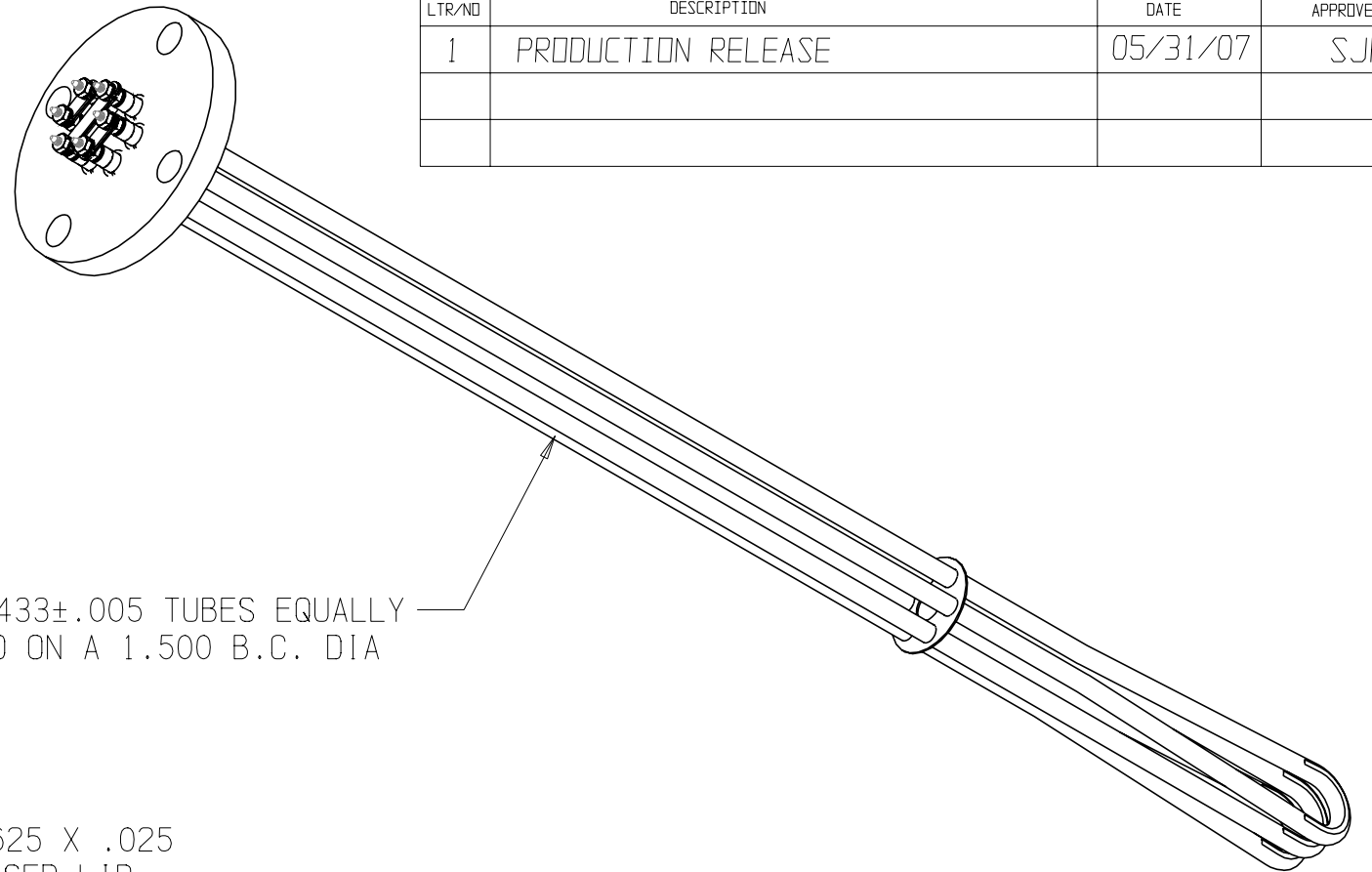


THIS DOCUMENT AND THE DATA DISCLOSED HEREIN OR HEREWITH IS NOT TO BE REPRODUCED, USED, OR DISCLOSED IN WHOLE OR IN PART TO ANYONE WITHOUT THE PERMISSION OF EICHENAUER, INC.

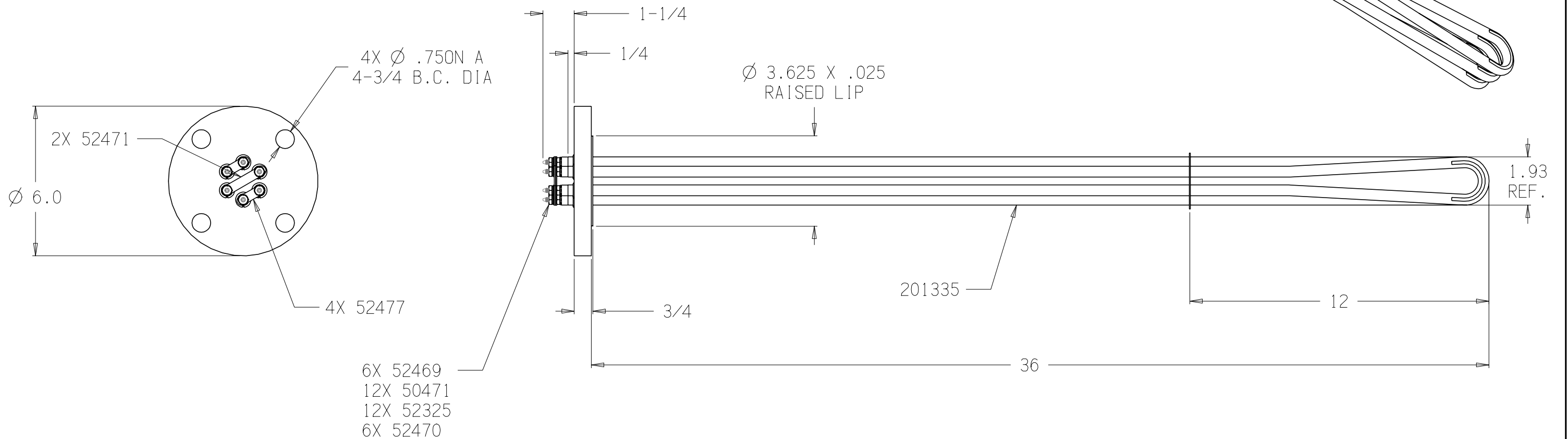
| REVISIONS | | | |
|-----------|--------------------|----------|----------|
| LTR/NO | DESCRIPTION | DATE | APPROVED |
| 1 | PRODUCTION RELEASE | 05/31/07 | SJH |
| | | | |
| | | | |

NOTES:

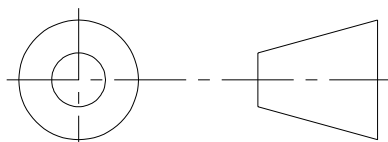
1. DIMENSIONS IN INCHES
2. FLANGE MATERIAL: MILD STEEL
3. SHEATH MATERIAL: 145471
4. TERMINAL PINS: 10-32 WITH NUTS AND WASHERS AS SHOWN
5. COLD RESISTANCE $4.2 \Omega \pm 10\% / -5\%$ PER TUBE (4.0 - 4.7)
6. COLD RESISTANCE $2.8 \Omega \pm 10\% / -5\%$ BUSS TO BUSS (2.7 - 3.1)
7. TIGHTEN TOP NUTS TO 30 IN-LBS TORQUE
8. SHEATH WATT DENSITY: 105 W/IN²
9. UL FILE: E76225 MODEL: 2211



3X $\varnothing .433 \pm .005$ TUBES EQUALLY SPACED ON A 1.500 B.C. DIA



THIRD ANGLE PROJECTION



| | |
|---------------------------------------|--------------------------|
| TOLERANCES UNLESS OTHERWISE SPECIFIED | |
| DEC | FRACTIONS ANGLES |
| .X $\pm .06$ | |
| .XX $\pm .025$ | $\pm 1/16$ $\pm 1^\circ$ |
| .XXX $\pm .010$ | |
| APPROVALS | DATE |
| DRAWN S. HEBERT | 05/31/07 |
| CHECKED | |

EICHENAUER INC.
292 Sunapee St., Newport, NH 03773
TEL: 603-863-1454 FAX: 603-863-1248

FLANGED TUBULAR HEATER
208V 30KW 3PH

SIZE FSCM NO. DWG. NO. REV.
B 300540H 1

SCALE 1:4 SHEET 1 of 1