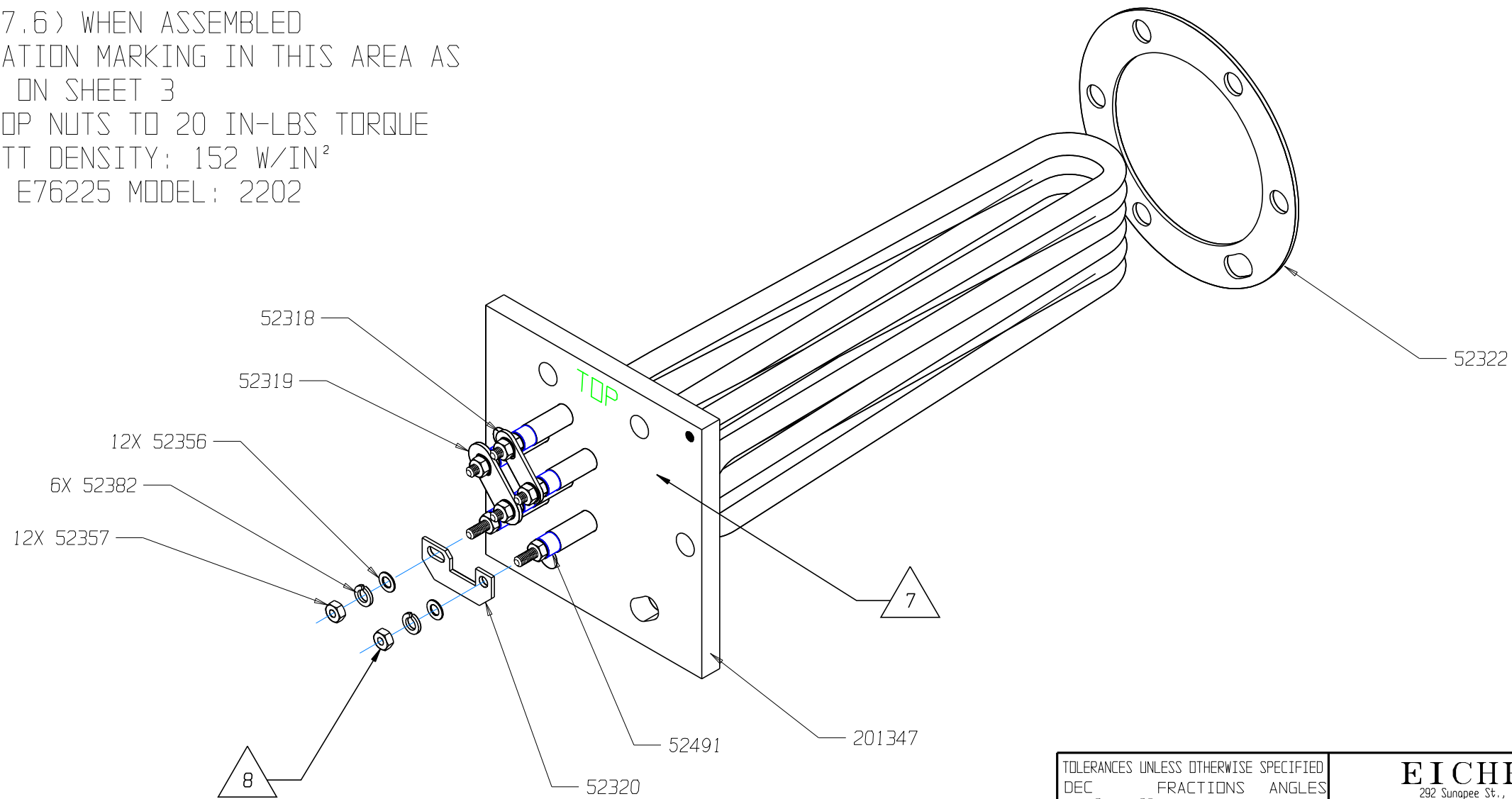


THIS DOCUMENT AND THE DATA DISCLOSED HEREIN OR HEREWITH IS NOT TO BE REPRODUCED, USED, OR DISCLOSED IN WHOLE OR IN PART TO ANYONE WITHOUT THE PERMISSION OF HARTFORD EICHENAUER, INC.

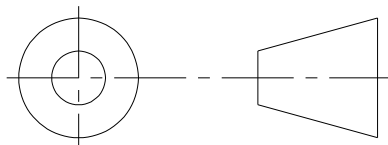
REVISIONS			
LTR/NO	DESCRIPTION	DATE	APPROVED
1	PRODUCTION RELEASE	02/08/08	SJH

NOTES:

1. DIMENSIONS IN INCHES
2. FLANGE MATERIAL: MILD STEEL
3. SHEATH MATERIAL: 1.4571
4. TERMINAL PINS M4X.7 WITH NUTS AND WASHERS AS SHOWN
5. COLD RESISTANCE: $37.6 \Omega \pm 10\%/-5\%$ (35.9 - 41.4) PER TUBE
6. BUSS TO BUSS RESISTANCE: $25.1 \Omega \pm 10\%/-5\%$ (23.9 - 27.6) WHEN ASSEMBLED
7. IDENTIFICATION MARKING IN THIS AREA AS SPECIFIED ON SHEET 3
8. TIGHTEN TOP NUTS TO 20 IN-LBS TORQUE
9. SHEATH WATT DENSITY: 152 W/IN²
10. UL FILE: E76225 MODEL: 2202



THIRD ANGLE PROJECTION



TOLERANCES UNLESS OTHERWISE SPECIFIED		EICHENAUER INC. 292 Sunapee St., Newport, NH 03773 TEL: 603-863-1454 FAX: 603-863-1248			
DEC	FRACTIONS ANGLES				
.0 ± .06		FLANGED BOILER HEATER 480V, 18KW, 3PH			
.00 ± .025 ± 1/16	± 1°				
.000 ± .010		APPROVALS DRAWN S. HEBERT CHECKED		DATE 02/08/08	
SCALE 1:2		SIZE FSCM NO. B		DWG. NO. 300548	
SHEET 1 of 3				REV. 1	

