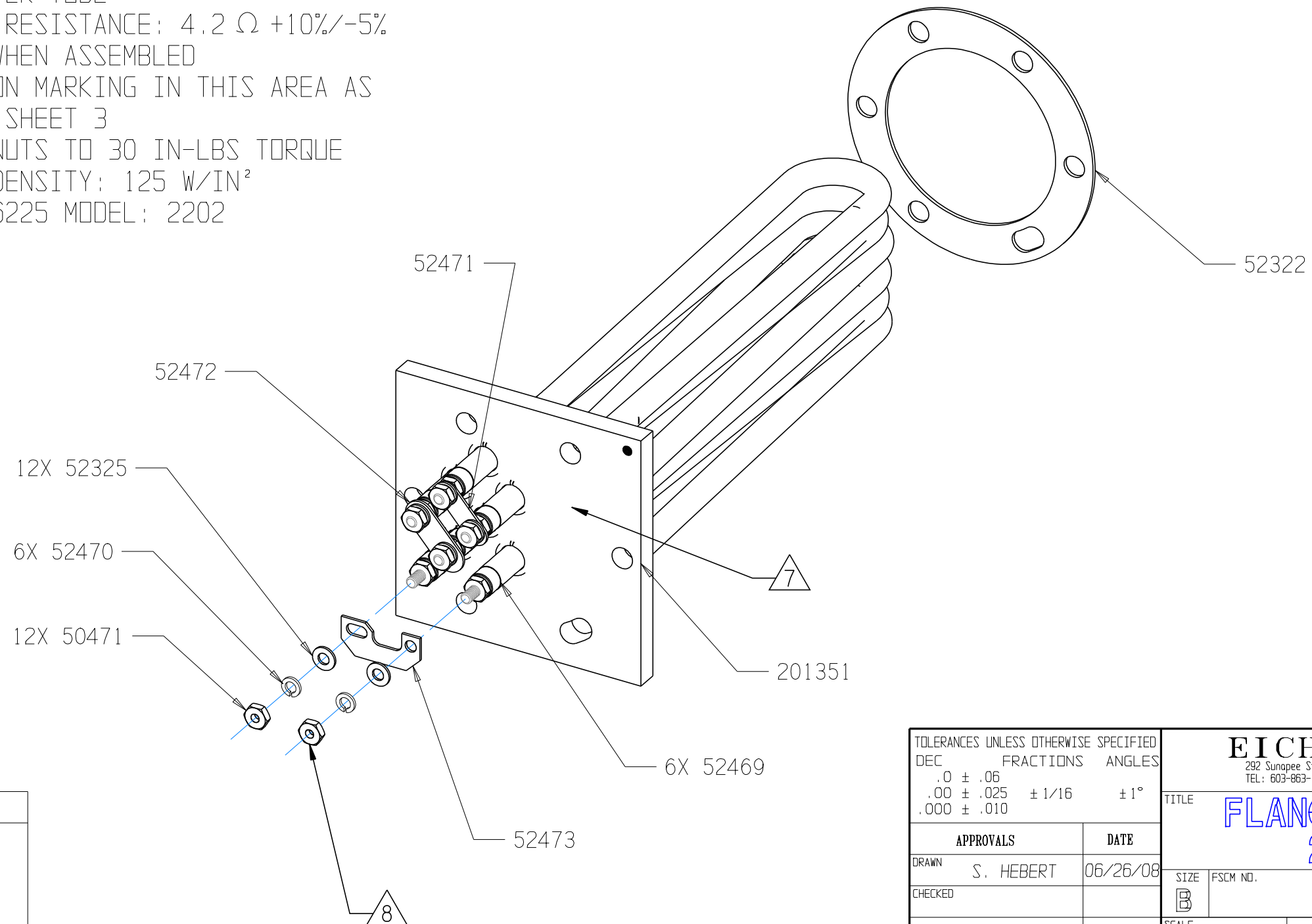


THIS DOCUMENT AND THE DATA DISCLOSED HEREIN OR HEREWITH IS NOT TO BE REPRODUCED, USED, OR DISCLOSED IN WHOLE OR IN PART TO ANYONE WITHOUT THE PERMISSION OF HARTFORD EICHENAUER, INC.

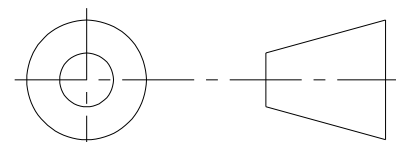
REVISIONS			
LTR/NO	DESCRIPTION	DATE	APPROVED
1	PRODUCTION RELEASE	06/26/08	SJH

NOTES:

1. DIMENSIONS IN INCHES
2. FLANGE MATERIAL: MILD STEEL
3. SHEATH MATERIAL: 1.4571
4. TERMINAL PINS: 10-32 WITH NUTS AND WASHERS AS SHOWN
5. COLD RESISTANCE: $6.4 \Omega \pm 10\% / -5\%$ (7.0 - 6.1) PER TUBE
6. BUSS TO BUSS RESISTANCE: $4.2 \Omega \pm 10\% / -5\%$ (4.7 - 4.0) WHEN ASSEMBLED
7. IDENTIFICATION MARKING IN THIS AREA AS SPECIFIED ON SHEET 3
8. TIGHTEN TOP NUTS TO 30 IN-LBS TORQUE
9. SHEATH WATT DENSITY: 125 W/IN²
10. UL FILE: E76225 MODEL: 2202



THIRD ANGLE PROJECTION



TOLERANCES UNLESS OTHERWISE SPECIFIED	
DEC	FRACTIONS ANGLES
.0 ± .06	
.00 ± .025	± 1/16 ± 1°
.000 ± .010	
APPROVALS	DATE
DRAWN S. HEBERT	06/26/08
CHECKED	
SCALE 1:2	

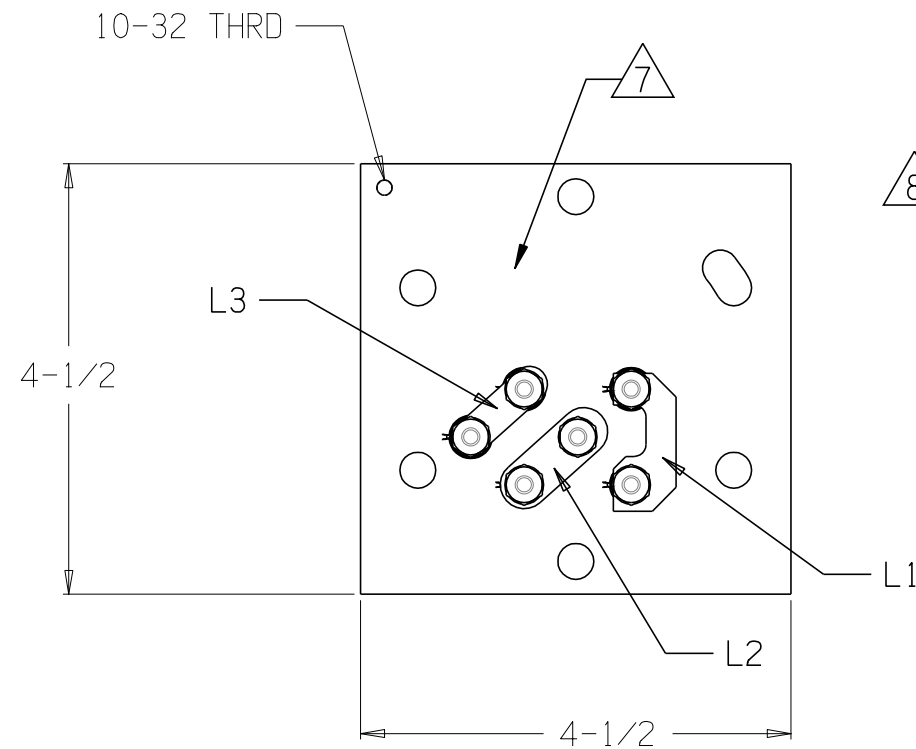
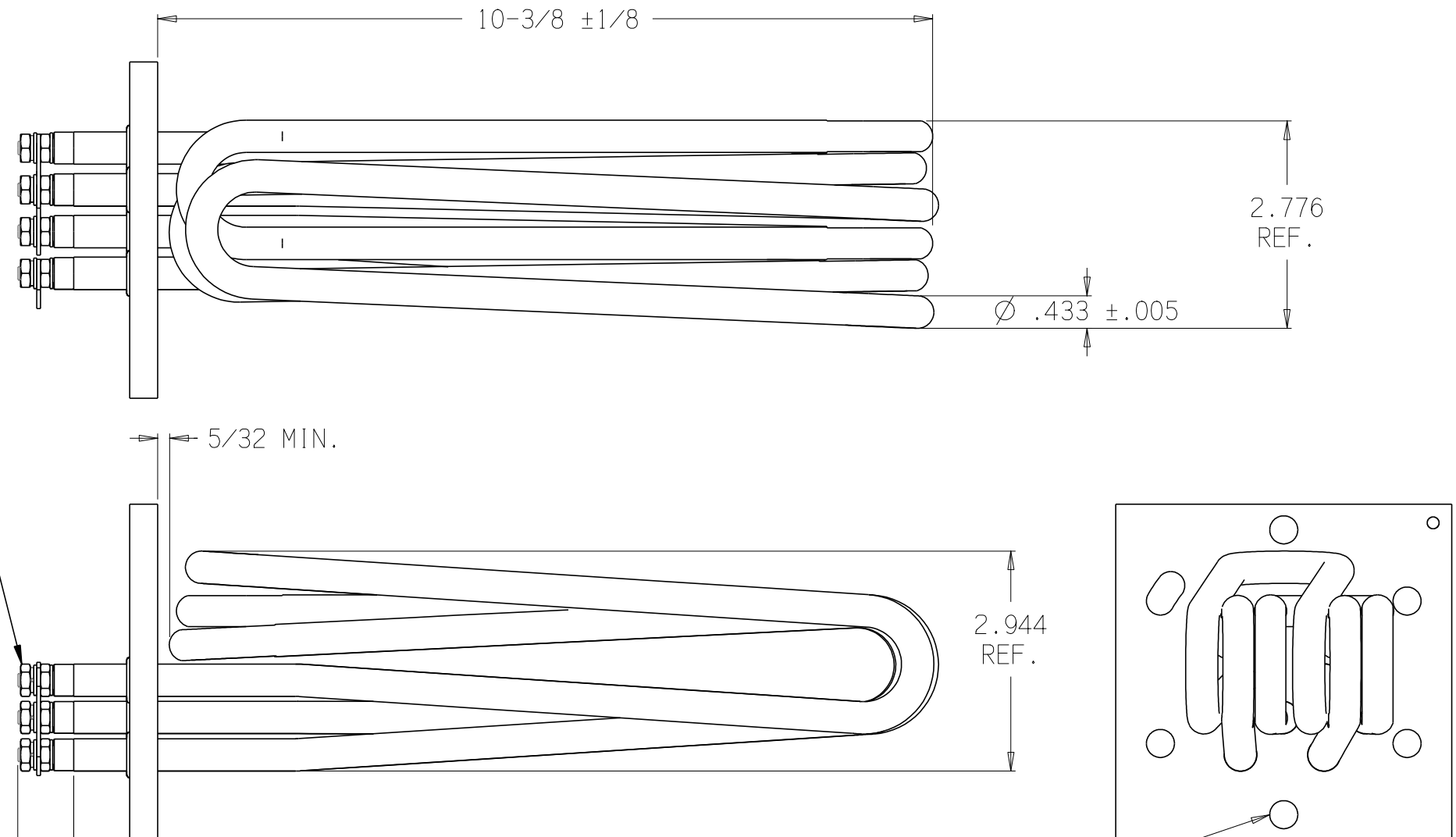
EICHENAUER INC. 292 Sunapee St., Newport, NH 03773 TEL: 603-863-1454 FAX: 603-863-1248			
FLANGED BOILER HEATER 208V 20KW 3PH			
SIZE B	FSCM NO.	DWG. NO. 300550	REV. 1
SCALE 1:2		SHEET 1 of 3	

THIS DOCUMENT AND THE DATA DISCLOSED HEREIN OR HEREWITH IS NOT TO BE REPRODUCED, USED, OR DISCLOSED IN WHOLE OR IN PART TO ANYONE WITHOUT THE PERMISSION OF HARTFORD EICHENAUER, INC.

REVISIONS			
LTR/NO	DESCRIPTION	DATE	APPROVED
1	PRODUCTION RELEASE	06/26/08	SJH

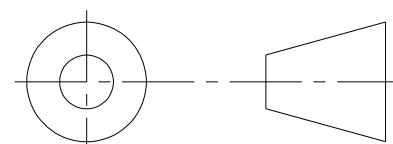
NOTES:

1. DIMENSIONS IN INCHES
2. FLANGE MATERIAL: MILD STEEL
3. SHEATH MATERIAL: 1.4571
4. TERMINAL PINS: 10-32 WITH NUTS AND WASHERS AS SHOWN
5. COLD RESISTANCE: $6.4 \Omega \pm 10\%/-5\%$ (7.0 - 6.1) PER TUBE
6. BUSS TO BUSS RESISTANCE: $4.2 \Omega \pm 10\%/-5\%$ (4.7 - 4.0) WHEN ASSEMBLED
7. IDENTIFICATION MARKING IN THIS AREA AS SPECIFIED ON SHEET 3
8. TIGHTEN TOP NUTS TO 30 IN-LBS TORQUE
9. SHEATH WATT DENSITY: 125 W/IN²
10. UL FILE: E76225 MODEL: 2202



(6) 3/8 HOLES ON 3-13/16 DIA. BC

THIRD ANGLE PROJECTION



TOLERANCES UNLESS OTHERWISE SPECIFIED		EICHENAUER INC.	
DEC	FRACTIONS	ANGLES	
.0 ± .06		± 1°	
.00 ± .025	± 1/16		
.000 ± .010			

APPROVALS		DATE		TITLE			
DRAWN	S. HEBERT	DATE	06/26/08	FLANGED BOILER HEATER			
CHECKED				208V 20KW 3PH			
				SIZE	FSCM NO.	DWG. NO.	REV.
				B		300550	1
				SCALE		SHEET	
				1:2		2 of 3	