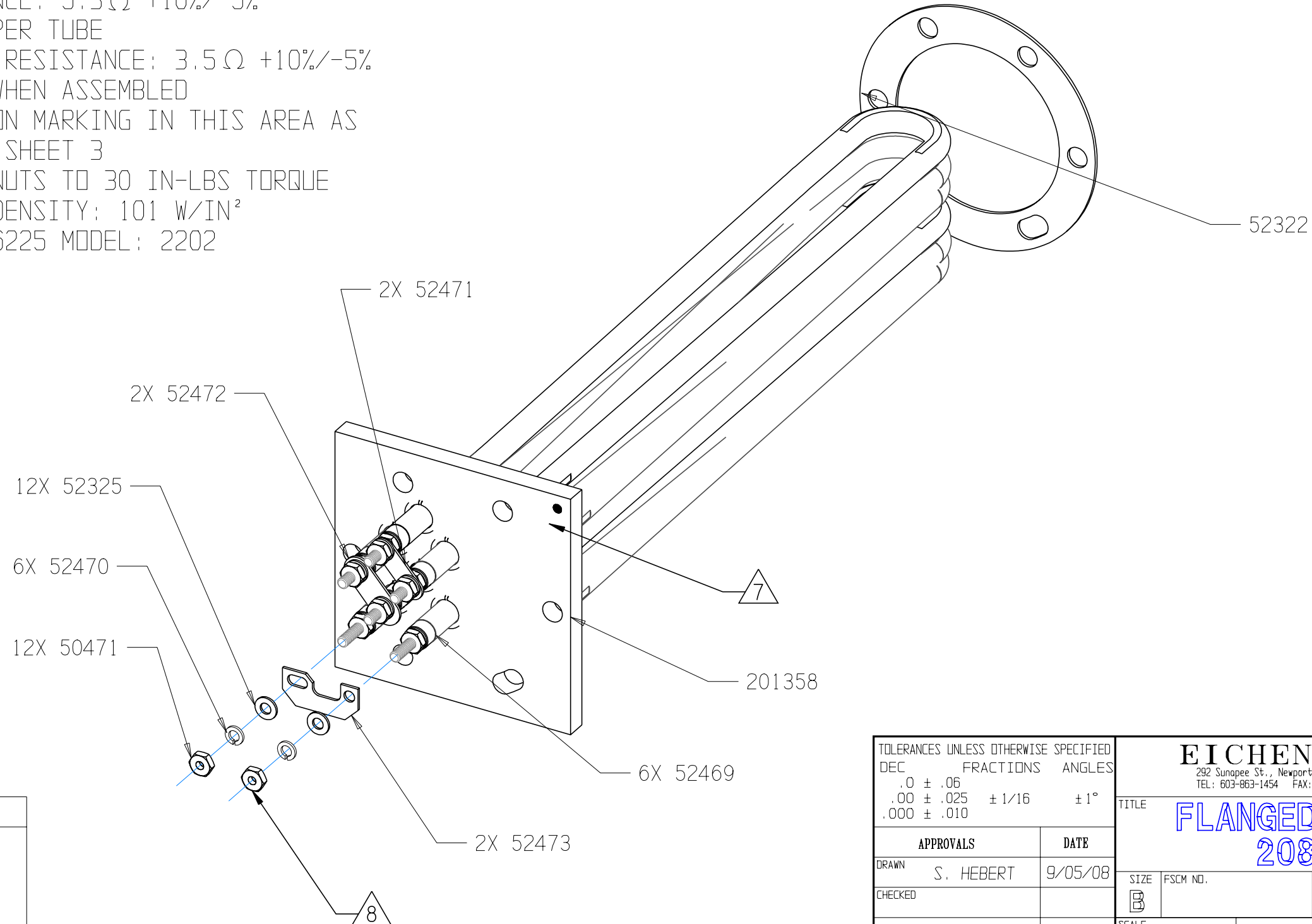


THIS DOCUMENT AND THE DATA DISCLOSED HEREIN OR HERewith IS NOT TO BE REPRODUCED, USED, OR DISCLOSED IN WHOLE OR IN PART TO ANYONE WITHOUT THE PERMISSION OF HARTFORD EICHENAUER, INC.

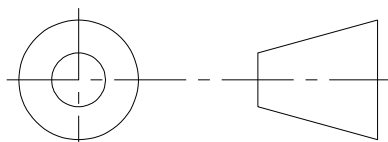
REVISIONS			
LTR/NO	DESCRIPTION	DATE	APPROVED
1	PRODUCTION RELEASE	9/05/08	SJH

NOTES:

1. DIMENSIONS IN INCHES
2. FLANGE MATERIAL: MILD STEEL
3. SHEATH MATERIAL: 1.4571
4. TERMINAL PINS: 10-32 WITH NUTS AND WASHERS AS SHOWN
5. COLD RESISTANCE: $5.3\Omega \pm 10\%/-5\%$ (5.0 - 5.8) PER TUBE
6. BUSS TO BUSS RESISTANCE: $3.5\Omega \pm 10\%/-5\%$ (3.4 - 3.9) WHEN ASSEMBLED
7. IDENTIFICATION MARKING IN THIS AREA AS SPECIFIED ON SHEET 3
8. TIGHTEN TOP NUTS TO 30 IN-LBS TORQUE
9. SHEATH WATT DENSITY: 101 W/IN²
10. UL FILE: E76225 MODEL: 2202



THIRD ANGLE PROJECTION



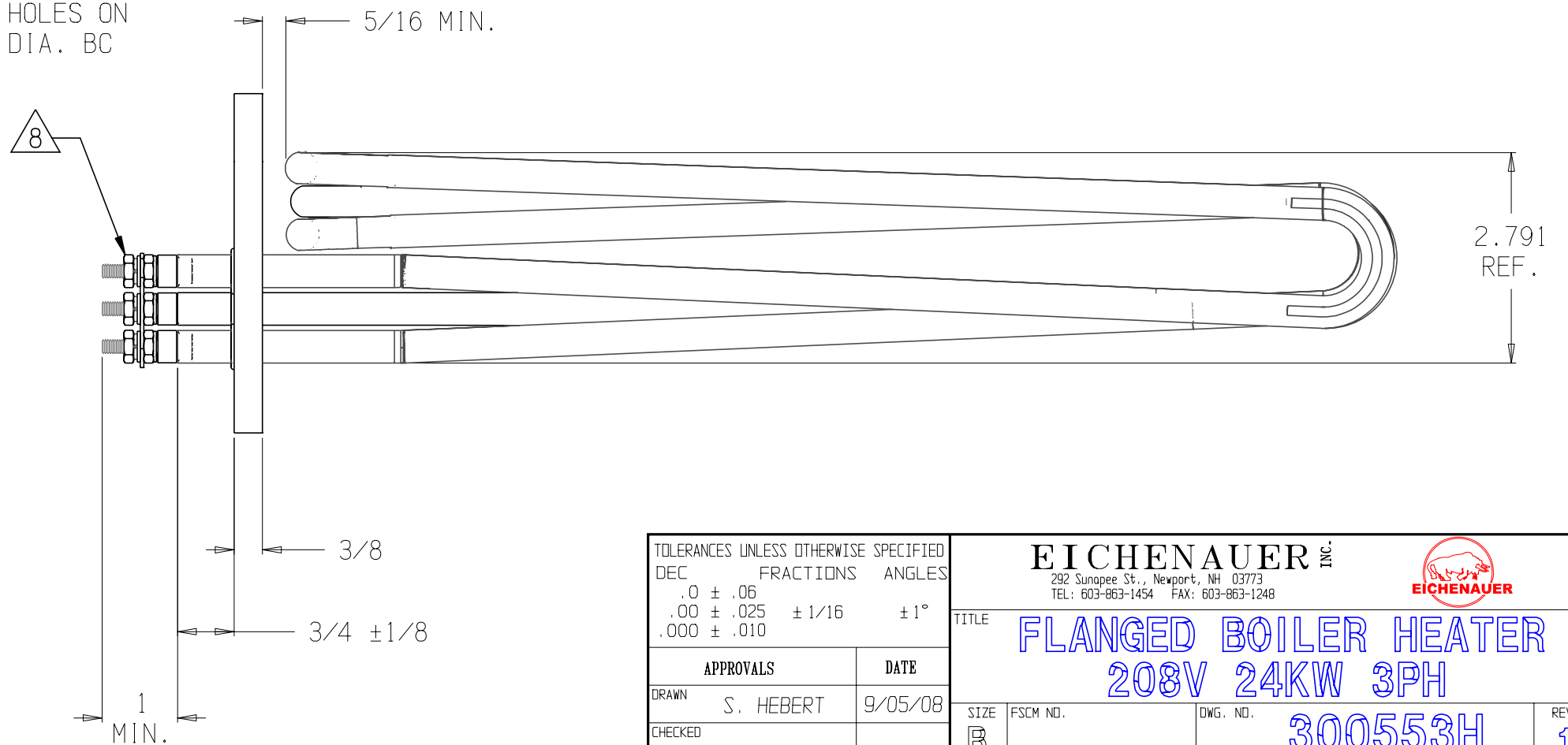
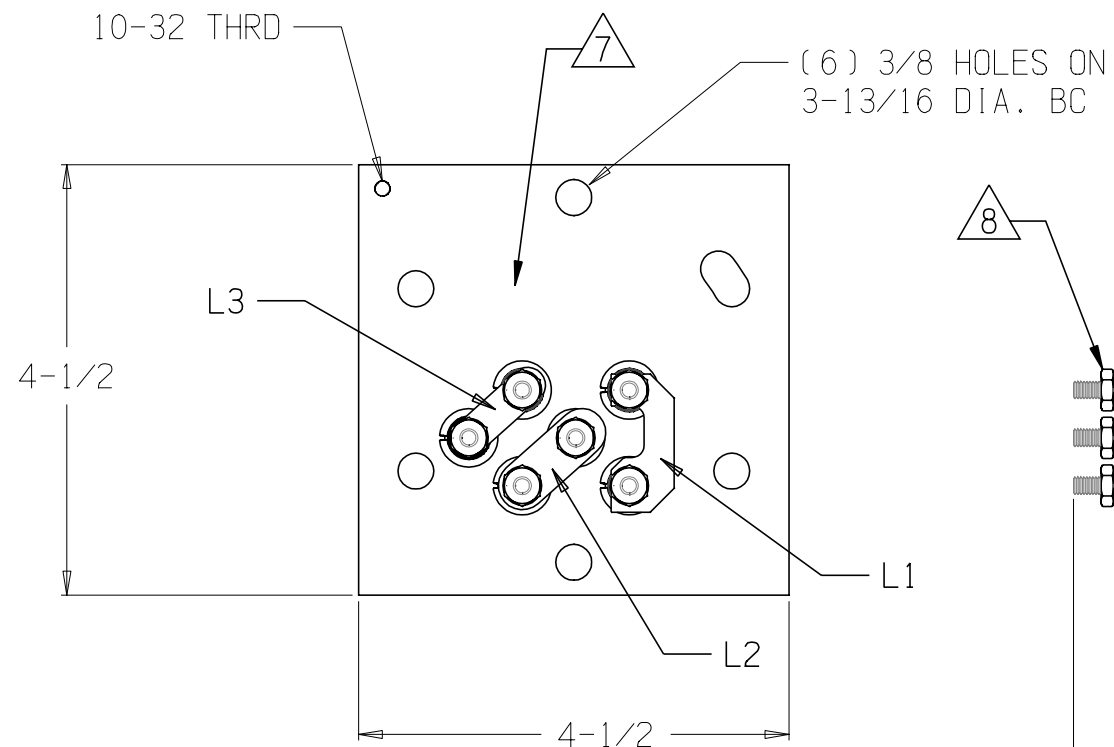
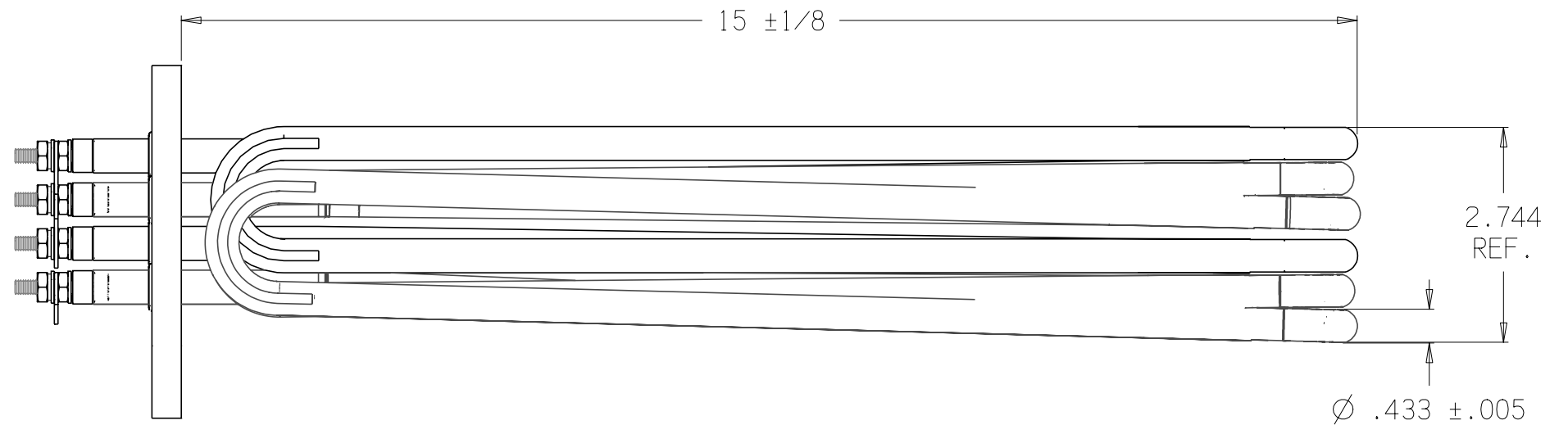
TOLERANCES UNLESS OTHERWISE SPECIFIED		EICHENAUER INC.			
DEC	FRACTIONS	ANGLES	292 Sunapee St., Newport, NH 03773 TEL: 603-863-1454 FAX: 603-863-1248		
.0 ± .06		± 1°	TITLE FLANGED BOILER HEATER		
.00 ± .025	± 1/16		208V 24KW 3PH		
.000 ± .010			SIZE B	FSCM NO.	DWG. NO. 300553H
APPROVALS		DATE		REV. 1	
DRAWN S. HEBERT		9/05/08			
CHECKED				SCALE 1:2	SHEET 1 of 3

THIS DOCUMENT AND THE DATA DISCLOSED HEREIN OR HERewith IS NOT TO BE REPRODUCED, USED, OR DISCLOSED IN WHOLE OR IN PART TO ANYONE WITHOUT THE PERMISSION OF HARTFORD EICHENAUER, INC.

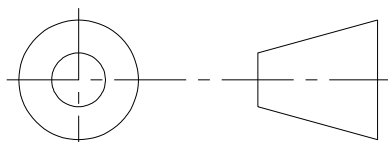
REVISIONS			
LTR/NO	DESCRIPTION	DATE	APPROVED
1	PRODUCTION RELEASE	9/08/08	SJH

NOTES:

1. DIMENSIONS IN INCHES
2. FLANGE MATERIAL: MILD STEEL
3. SHEATH MATERIAL: 1.4571
4. TERMINAL PINS: 10-32 WITH NUTS AND WASHERS AS SHOWN
5. COLD RESISTANCE: $5.3 \Omega \pm 10\%/-5\%$ (5.0 - 5.8) PER TUBE
6. BUSS TO BUSS RESISTANCE: $3.5 \Omega \pm 10\%/-5\%$ (3.4 - 3.9) WHEN ASSEMBLED
7. IDENTIFICATION MARKING IN THIS AREA AS SPECIFIED ON SHEET 3
8. TIGHTEN TOP NUTS TO 30 IN-LBS TORQUE
9. SHEATH WATT DENSITY: 101 W/IN²
10. UL FILE: E76225 MODEL: 2202



THIRD ANGLE PROJECTION



TOLERANCES UNLESS OTHERWISE SPECIFIED	
DEC	FRACTIONS ANGLES
.0 ± .06	
.00 ± .025	± 1/16 ± 1°
.000 ± .010	
APPROVALS	DATE
DRAWN S. HEBERT	9/05/08
CHECKED	

EICHENAUER INC.
 292 Sunapee St., Newport, NH 03773
 TEL: 603-863-1454 FAX: 603-863-1248



FLANGED BOILER HEATER
208V 24KW 3PH

SIZE	FSCM NO.	DWG. NO.	REV.
B		300553H	1
SCALE	SHEET		
1:2	2 of 3		