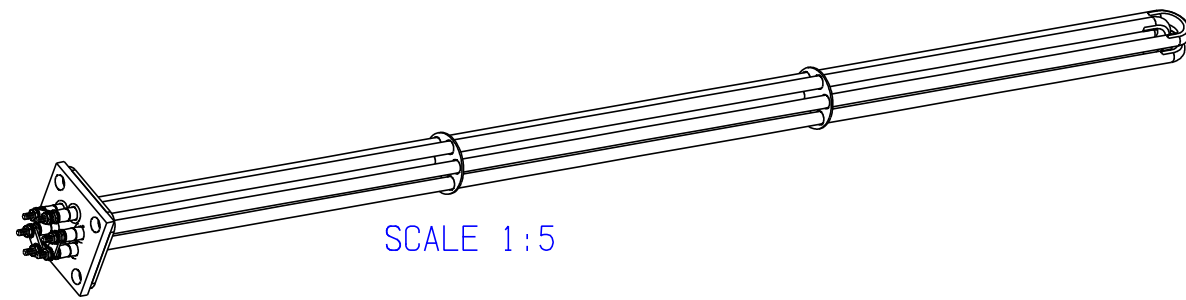
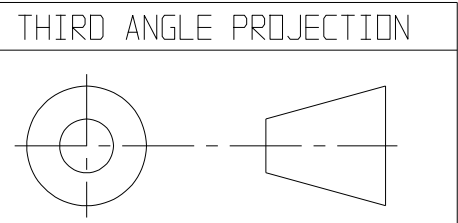
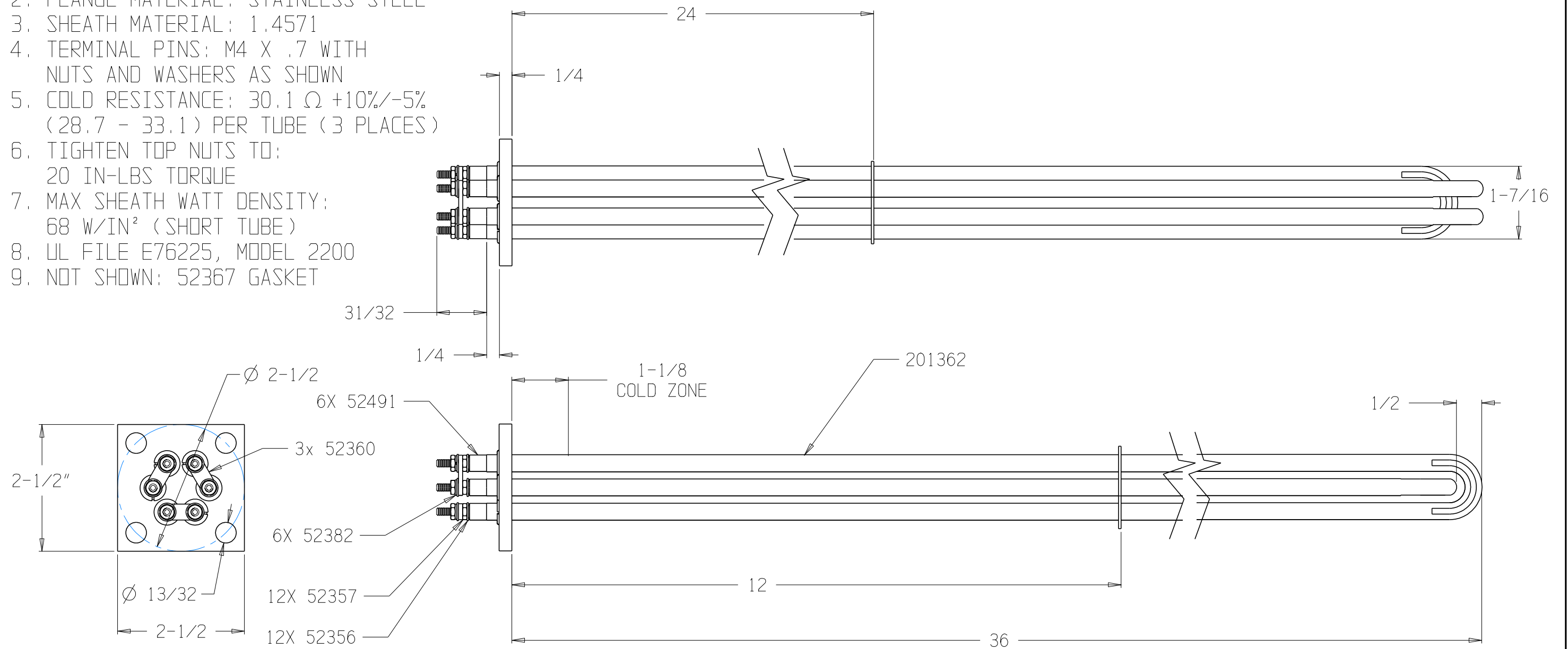


THIS DOCUMENT AND THE DATA DISCLOSED HEREIN OR HEREWITH IS NOT TO BE REPRODUCED, USED, OR DISCLOSED IN WHOLE OR IN PART TO ANYONE WITHOUT THE PERMISSION OF HARTFORD EICHENAUER, INC.

REVISIONS			
LTR/NO	DESCRIPTION	DATE	APPROVED
1	PRODUCTION RELEASE	12/04/08	SJH

NOTES:

1. DIMENSIONS IN INCHES
2. FLANGE MATERIAL: STAINLESS STEEL
3. SHEATH MATERIAL: 1.4571
4. TERMINAL PINS: M4 X .7 WITH NUTS AND WASHERS AS SHOWN
5. COLD RESISTANCE: 30.1 Ω +10%/-5% (28.7 - 33.1) PER TUBE (3 PLACES)
6. TIGHTEN TOP NUTS TO: 20 IN-LBS TORQUE
7. MAX SHEATH WATT DENSITY: 68 W/IN² (SHORT TUBE)
8. UL FILE E76225, MODEL 2200
9. NOT SHOWN: 52367 GASKET



TOLERANCES UNLESS OTHERWISE SPECIFIED		EICHENAUER INC.		292 Sunapee St., Newport, NH 03773		TEL: 603-863-1454 FAX: 603-863-1248			
DEC	FRACTIONS	ANGLES		TITLE FLANGED BOILER HEATER					
.X ±.06		±1°		480V 15KW 3PH					
.XX ±.025	± 1/16			SIZE	FSCM NO.	DWG. NO.	REV.		
.XXX ±.010				B		300554	1		
APPROVALS		DATE		SCALE		SHEET			
DRAWN S. HEBERT		12/04/08		1:2		1 of 1			
CHECKED									