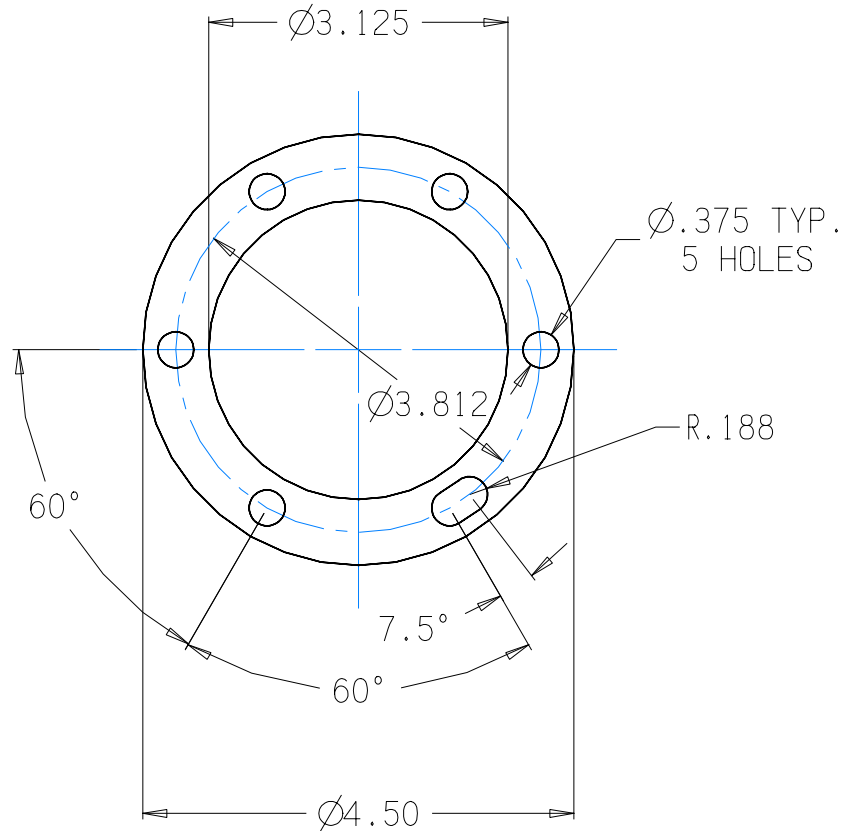


THIS DOCUMENT AND THE DATA DISCLOSED HEREIN OR HEREWITH IS NOT TO BE REPRODUCED, USED, OR DISCLOSED IN WHOLE OR IN PART TO ANYONE WITHOUT THE PERMISSION OF HARTFORD EICHENAUER, INC.

NOTES:

- 1. DIMENSIONS IN INCHES
- 2. .062 ± .005 THICK

REVISIONS			
LTR/NO	DESCRIPTION	DATE	APPROVED
1	PRODUCTION RELEASE (WAS PROTO 16)	01/18/01	SJH
2	Ø3.812 WAS Ø3.875 PER ECN 012-01	05/09/01	SJH
3	THICKNESS WAS .067 PER ECN 004-10	02/01/10	SJH



TOLERANCES UNLESS OTHERWISE SPECIFIED		
DEC	FRACTIONS	ANGLES
.X ± .06		
.XX ± .025	± 1/16	± 1°
.XXX ± .010		

HARTFORD EICHENAUER INC.
 292 Sunapee St., Newport, NH 03773
 TEL: 603-863-1454 FAX: 603-863-1248



TITLE
FLANGE GASKET
ARAMID W/ NITRILE BINDER

APPROVALS	DATE
DRAWN S. HEBERT	09/28/00
CHECKED -	-

SIZE A	FSCM NO.	DWG. NO. 52322	REV. 3
SCALE 1:2	SHEET 1 of 1		

THIRD ANGLE PROJECTION

