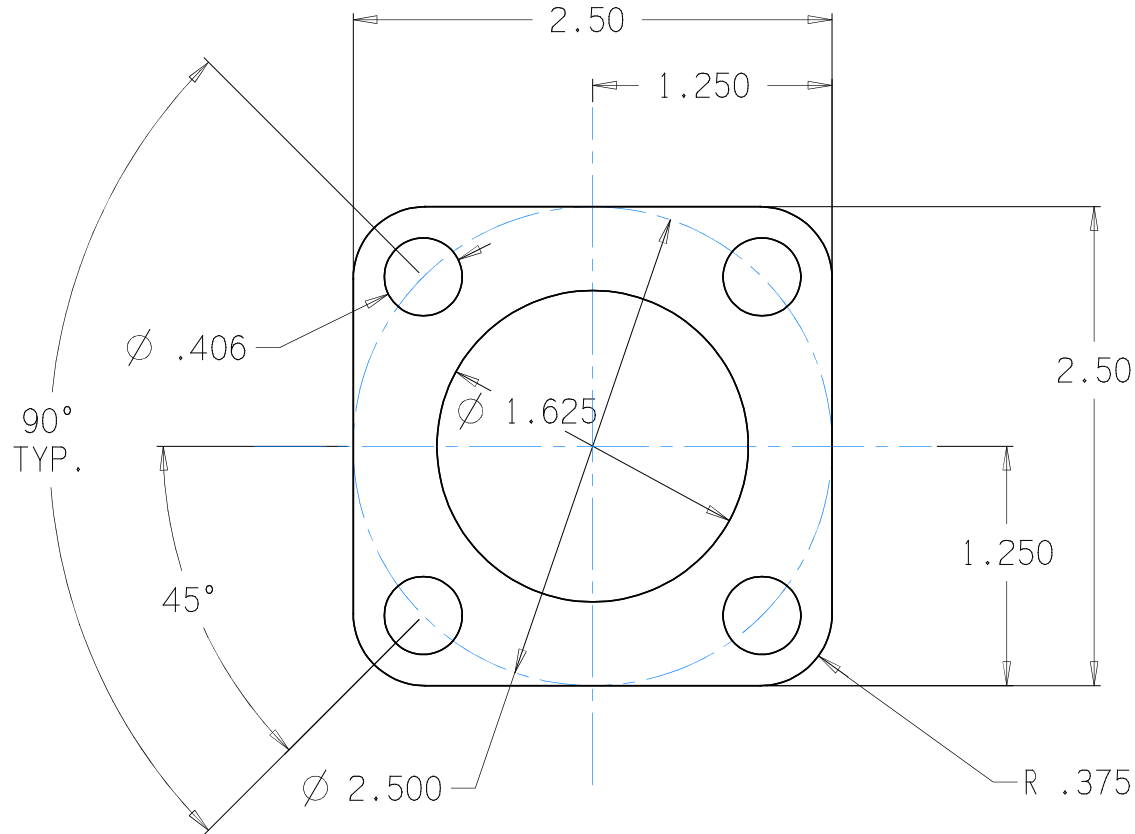


THIS DOCUMENT AND THE DATA DISCLOSED HEREIN OR HEREWITH IS NOT TO BE REPRODUCED, USED, OR DISCLOSED IN WHOLE OR IN PART TO ANYONE WITHOUT THE PERMISSION OF HARTFORD EICHENAUER, INC.

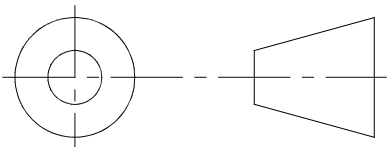
REVISIONS			
LTR/NO	DESCRIPTION	DATE	APPROVED
1	PRODUCTION RELEASE	11/21/02	SJH

NOTES:

1. DIMENSIONS IN INCHES
2. .120 ± .005 THICK



THIRD ANGLE PROJECTION



TOLERANCES UNLESS OTHERWISE SPECIFIED		
DEC	FRACTIONS	ANGLES
.X ± .06		
.XX ± .025	± 1/16	± 1°
.XXX ± .010		

APPROVALS		DATE
DRAWN	S. HEBERT	11/21/02
CHECKED		

HARTFORD EICHENAUER INC.
 292 Sunapee St., Newport, NH 03773
 TEL: 603-863-1454 FAX: 603-863-1248



TITLE **2-1/2" FLANGE GASKET**
ARAMID W/ NITRILE BINDER

SIZE	FSCM NO.	DWG. NO.	REV.
A		52367	1
SCALE	1:1		SHEET 1 of 1