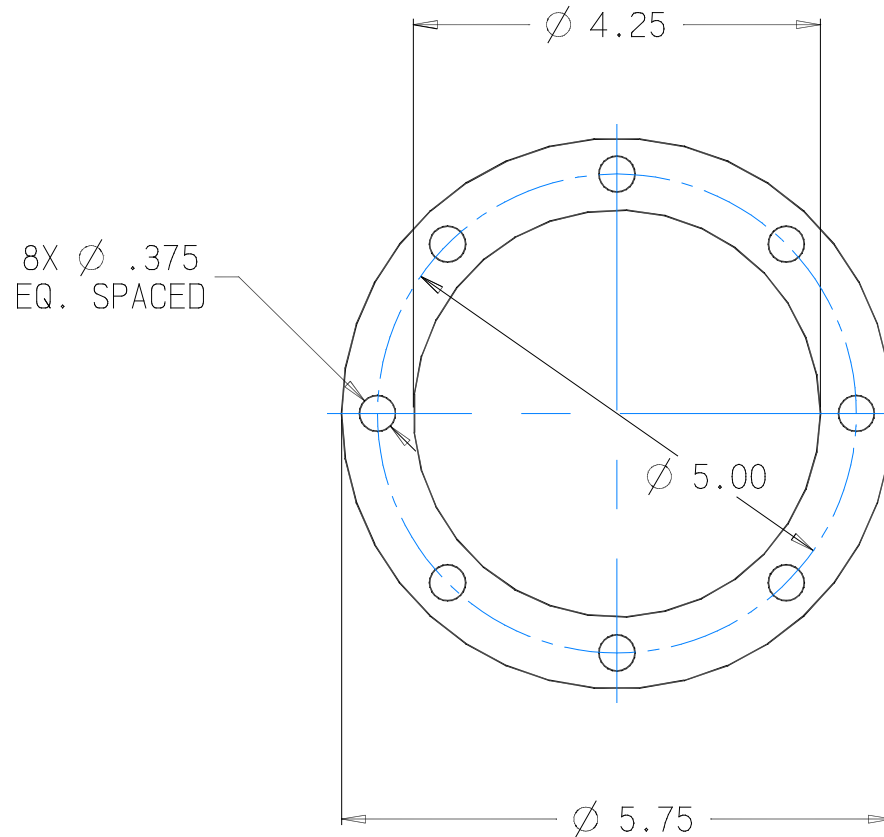


THIS DOCUMENT AND THE DATA DISCLOSED HEREIN OR HEREWITH IS NOT TO BE REPRODUCED, USED, OR DISCLOSED IN WHOLE OR IN PART TO ANYONE WITHOUT THE PERMISSION OF HARTFORD EICHENAUER, INC.

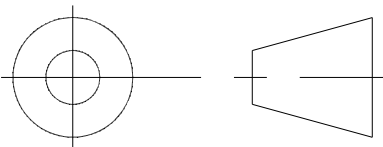
REVISIONS			
LTR/NO	DESCRIPTION	DATE	APPROVED
1	PRODUCTION RELEASE (WAS PROTO91)	06/21/06	SJH

NOTES:

1. DIMENSIONS IN INCHES
2. .067 ± .005 THICK



THIRD ANGLE PROJECTION



TOLERANCES UNLESS OTHERWISE SPECIFIED		
DEC	FRACTIONS	ANGLES
.X ± .06		
.XX ± .025	± 1/16	± 1°
.XXX ± .010		

APPROVALS		DATE
DRAWN	S. HEBERT	05/31/06
CHECKED		

EICHENAUER INC.

292 Sunapee St., Newport, NH 03773
TEL: 603-863-1454 FAX: 603-863-1248



TITLE
FLANGE GASKET
ARAMID W/ NITRILE BINDER

SIZE	FSCM NO.	DWG. NO.	REV.
A		52546	1
SCALE	1:1		SHEET
			1 of 1