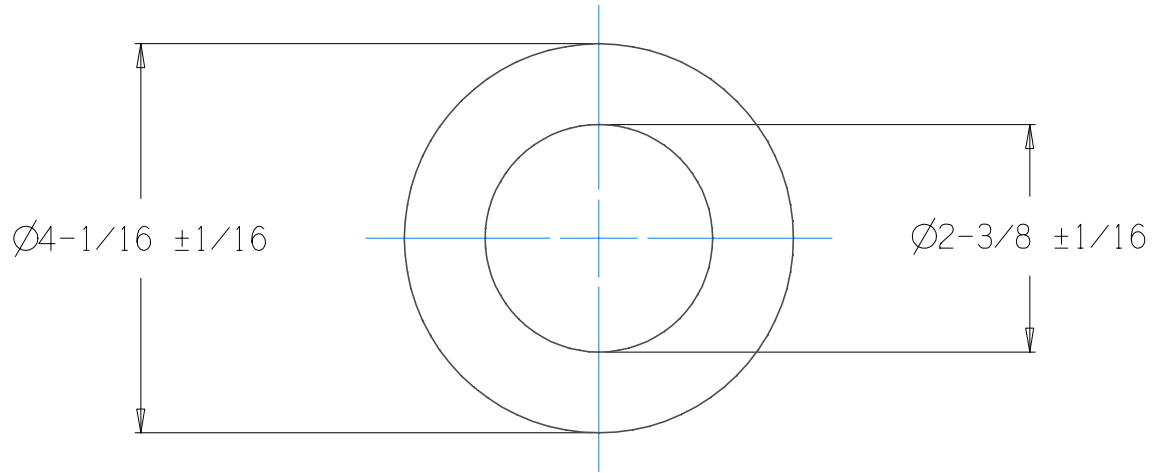


THIS DOCUMENT AND THE DATA DISCLOSED HEREIN OR HEREWITH IS NOT TO BE REPRODUCED, USED, OR DISCLOSED IN WHOLE OR IN PART TO ANYONE WITHOUT THE PERMISSION OF EICHENAUER, INC.

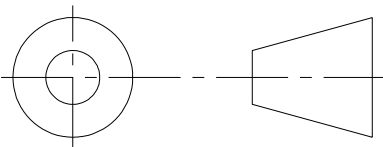
REVISIONS			
LTR/NO	DESCRIPTION	DATE	APPROVED
1	PRODUCTION RELEASE	01/07/10	SJH

NOTES:

1. DIMENSIONS IN INCHES
2. MATERIAL: GARLOCK 3200 OR EQIV. 1/16 THICK



THIRD ANGLE PROJECTION



TOLERANCES UNLESS OTHERWISE SPECIFIED		
DEC	FRACTIONS	ANGLES
.X ± .06		
.XX ± .025	± 1/16	± 1°
.XXX ± .010		

APPROVALS		DATE
DRAWN	S. HEBERT	01/07/10
CHECKED		

EICHENAUER INC.

292 Sunapee St., Newport, NH 03773
 TEL: 603-863-1454 FAX: 603-863-1248



TITLE				6" ROUND GASKET ARAMID w/ SBR BINDER	
SIZE	FSCM NO.	DWG. NO.	52587	REV.	1
A					
SCALE	1:2	SHEET	1 of 1		