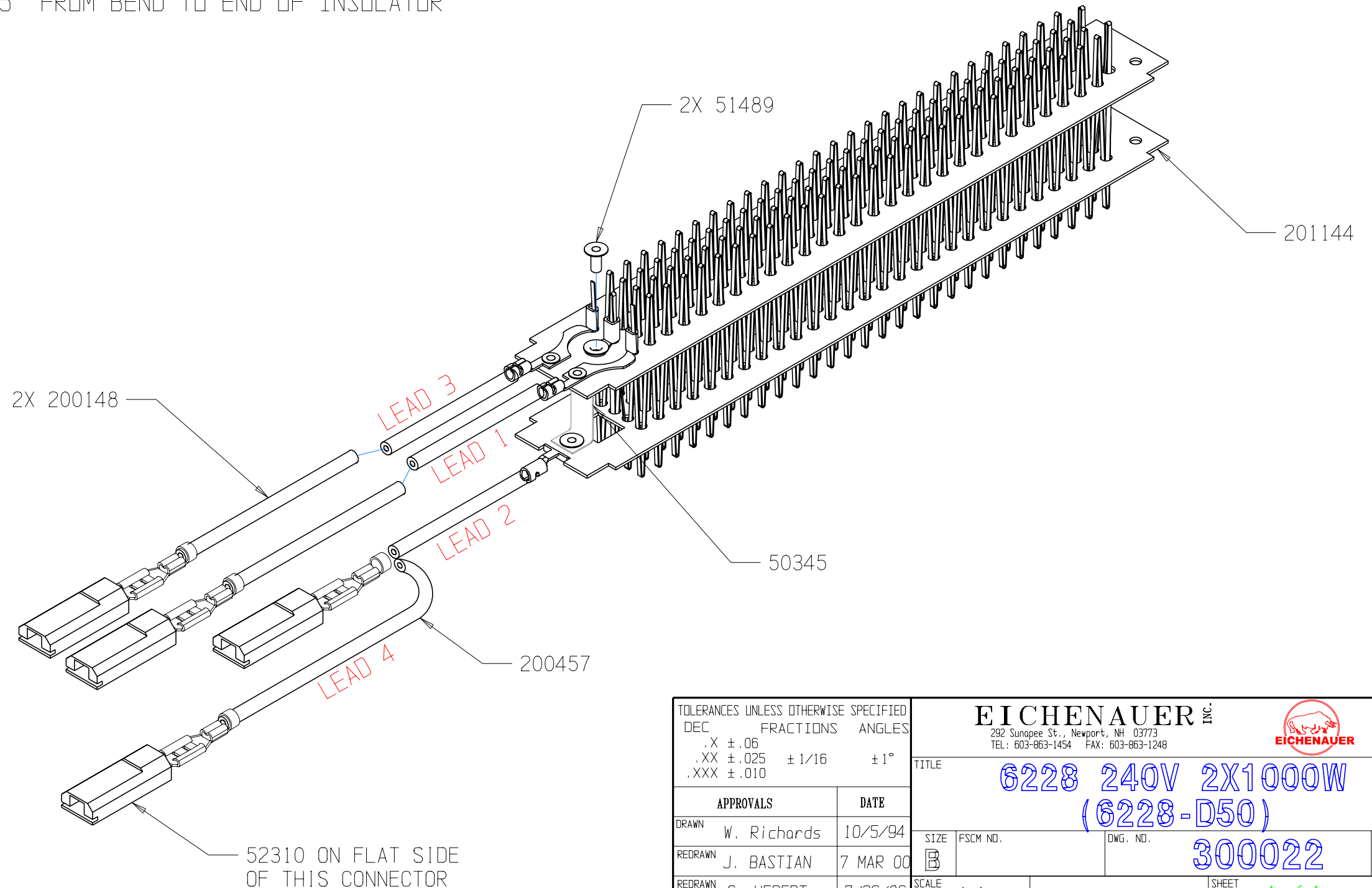


THIS DOCUMENT AND THE DATA DISCLOSED HEREIN OR HEREWITH IS NOT TO BE REPRODUCED, USED, OR DISCLOSED IN WHOLE OR IN PART TO ANYONE WITHOUT THE PERMISSION OF HARTFORD EICHENAUER, INC.

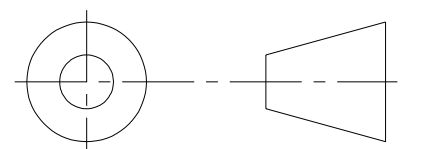
REVISIONS			
LTR/NO	DESCRIPTION	DATE	APPROVED
1	ECN 041-96	5/21/96	WR
2	ECN 047-97	7/28/97	KF
3	ECN 001-99	1/7/99	SJH
4	ECN 001-00	1/25/00	JB
5	ADDED 52310 PER ECN 029-00	10/19/00	SJH
6	ECN 008-02 RETURN TO NEWPORT	06MAR03	JB
7	ECN 025-03	14JUL03	JB
8	ASSEMBLY REVISED PER ECN 010-06	07/26/06	SJH

NOTES:

- COLD RESISTANCE:
59.5Ω ± 5% (56.5 - 62.5)
- LEAD WIRE: UL 3173, 16AWG (26/30) TC, 125°C, 600V
LEADS 2 & 4 ARE WHITE, LEADS 1 & 3 ARE BLACK
LEADS 1 & 3 ARE 12.5"±1/8" FROM EDGE OF MICA TO END OF INSULATOR
LEAD 2 IS 5.75±1/8" FROM EDGE OF MICA TO END OF INSULATOR
LEAD 4 IS APPROXIMATELY 3.5" FROM BEND TO END OF INSULATOR
- REF CUST P/N 99270742



THIRD ANGLE PROJECTION



TOLERANCES UNLESS OTHERWISE SPECIFIED		EICHENAUER INC. 292 Sunapee St., Newport, NH 03773 TEL: 603-863-1454 FAX: 603-863-1248																
DEC	FRACTIONS ANGLES																	
.X ± .06		6228 240V 2X1000W (6228-D50)																
.XX ± .025 ± 1/16	± 1°																	
.XXX ± .010																		
<table border="1"> <thead> <tr> <th>APPROVALS</th> <th>DATE</th> </tr> </thead> <tbody> <tr> <td>DRAWN <i>W. Richards</i></td> <td>10/5/94</td> </tr> <tr> <td>REDRAWN <i>J. BASTIAN</i></td> <td>7 MAR 00</td> </tr> <tr> <td>REDRAWN <i>S. HEBERT</i></td> <td>7/26/06</td> </tr> </tbody> </table>		APPROVALS	DATE	DRAWN <i>W. Richards</i>	10/5/94	REDRAWN <i>J. BASTIAN</i>	7 MAR 00	REDRAWN <i>S. HEBERT</i>	7/26/06	<table border="1"> <tr> <td>SIZE</td> <td>FSCM NO.</td> <td>DWG. NO.</td> <td>REV.</td> </tr> <tr> <td>B</td> <td></td> <td>300022</td> <td>8</td> </tr> </table>	SIZE	FSCM NO.	DWG. NO.	REV.	B		300022	8
APPROVALS	DATE																	
DRAWN <i>W. Richards</i>	10/5/94																	
REDRAWN <i>J. BASTIAN</i>	7 MAR 00																	
REDRAWN <i>S. HEBERT</i>	7/26/06																	
SIZE	FSCM NO.	DWG. NO.	REV.															
B		300022	8															
SCALE 1:1		SHEET 1 of 1																