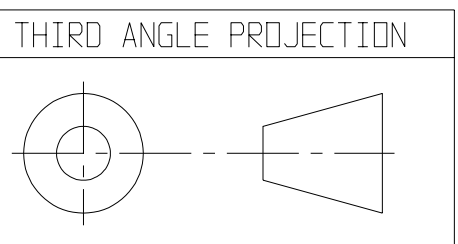
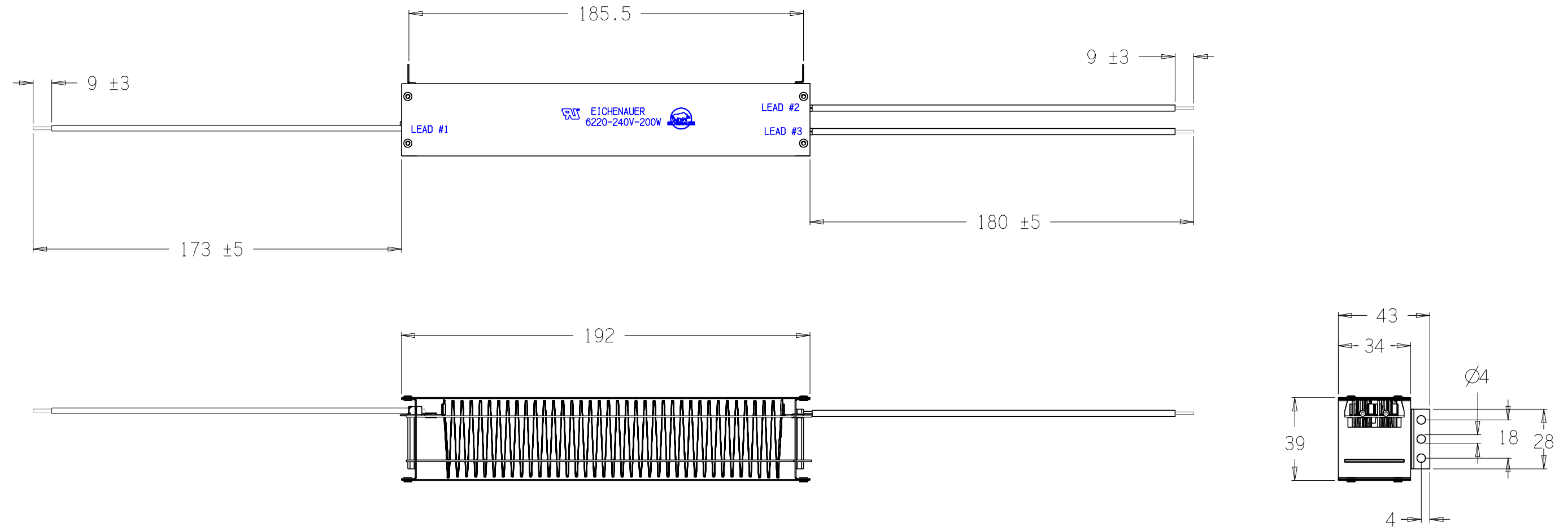


THIS DOCUMENT AND THE DATA DISCLOSED HEREIN OR HEREWITH IS NOT TO BE REPRODUCED, USED, OR DISCLOSED IN WHOLE OR IN PART TO ANYONE WITHOUT THE PERMISSION OF EICHENAUER, INC.

REVISIONS			
LTR/NO	DESCRIPTION	DATE	APPROVED
1	REVISED PER ECN 069-96	5/31/96	WR

NOTES:

1. DIMENSIONS IN MM
2. LEAD WIRE: ULSF-2, 16 AWG
3. COLD RESISTANCE: $52.1 \Omega \pm 5\%$
(49.5 - 54.8)
4. UL FILE: E76225 MODEL 6220-240-2000



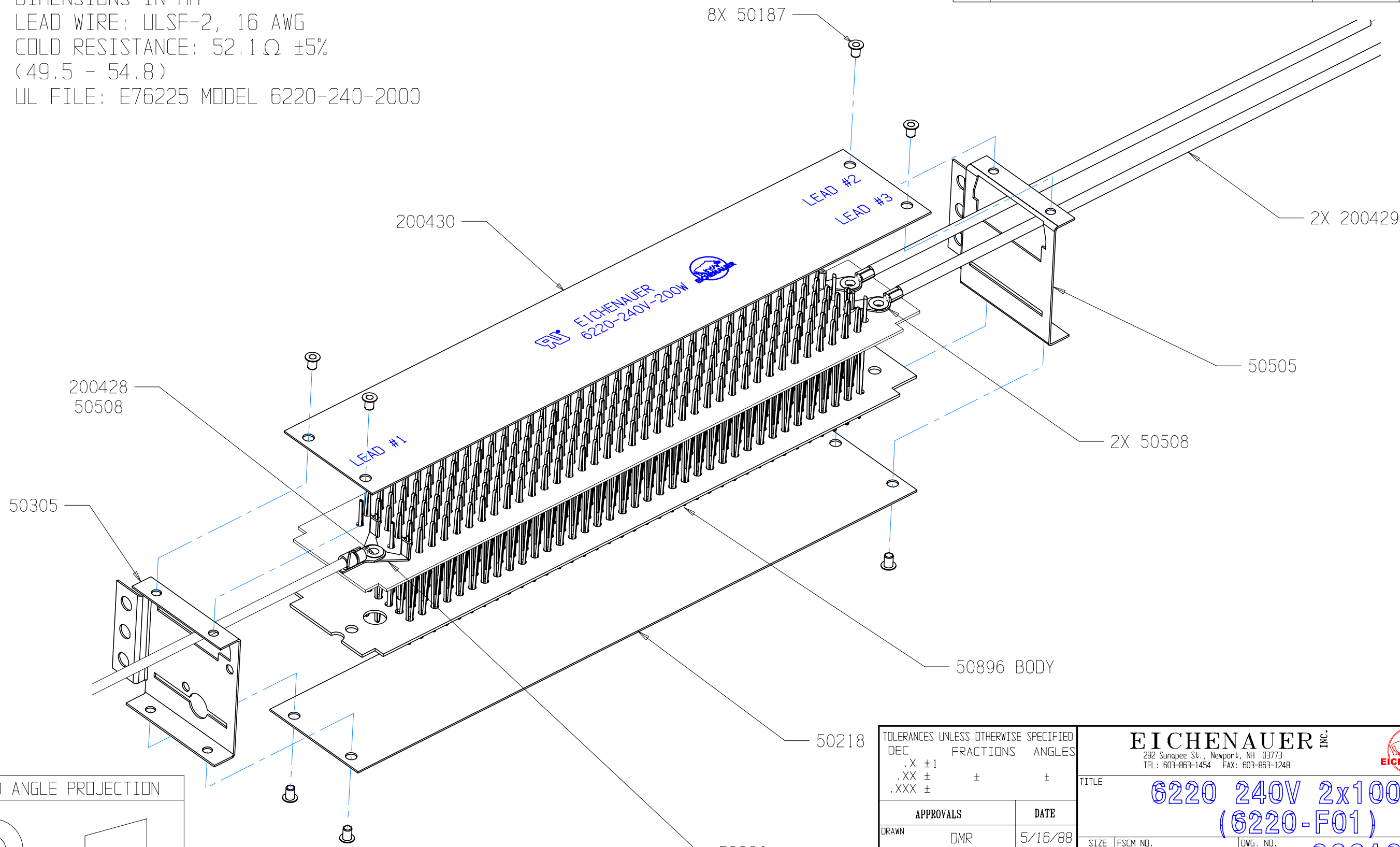
TOLERANCES UNLESS OTHERWISE SPECIFIED DEC FRACTIONS ANGLES X. ± 1 X.X ± ± ± X.XX ±		EICHENAUER INC. 292 Sunapee St., Newport, NH 03773 TEL: 603-863-1454 FAX: 603-863-1248			
APPROVALS DRAWN DMR 5/16/88 RE-DRAWN S. HEBERT 8/05/13		DATE		TITLE 6220 240V 2x1000W (6220-F01)	
SCALE 1:2		SIZE B	FSCM NO.	DWG. NO. 300135	REV. 1
SHEET 1 of 2					

THIS DOCUMENT AND THE DATA DISCLOSED HEREIN OR HERewith IS NOT TO BE REPRODUCED, USED, OR DISCLOSED IN WHOLE OR IN PART TO ANYONE WITHOUT THE PERMISSION OF EICHENAUER, INC.

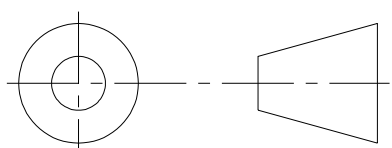
REVISIONS			
LTR/NO	DESCRIPTION	DATE	APPROVED
1	REVISED PER ECN 069-96	5/31/96	WR


NOTES:

1. DIMENSIONS IN MM
2. LEAD WIRE: ULSF-2, 16 AWG
3. COLD RESISTANCE: $52.1\Omega \pm 5\%$
(49.5 - 54.8)
4. UL FILE: E76225 MODEL 6220-240-2000



THIRD ANGLE PROJECTION



TOLERANCES UNLESS OTHERWISE SPECIFIED		EICHENAUER INC. 292 Sunapee St., Newport, NH 03773 TEL: 603-863-1454 FAX: 603-863-1248			
DEC	FRACTIONS	ANGLES		TITLE 6220 240V 2x1000W (6220-F01)	
.X ±1		±	±	SIZE	FSCM NO.
.XX ±				DWG. NO.	REV.
.XXX ±				300135	1
APPROVALS		DATE		SCALE	SHEET
DRAWN	DMR	5/16/88		1:1	2 of 2
RE-DRAWN	S. HEBERT	8/08/13			