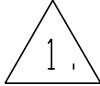


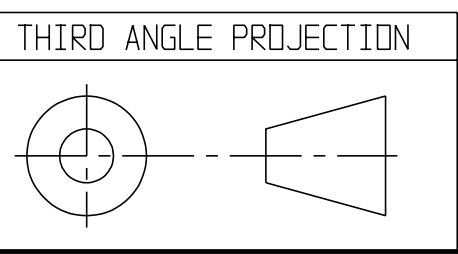
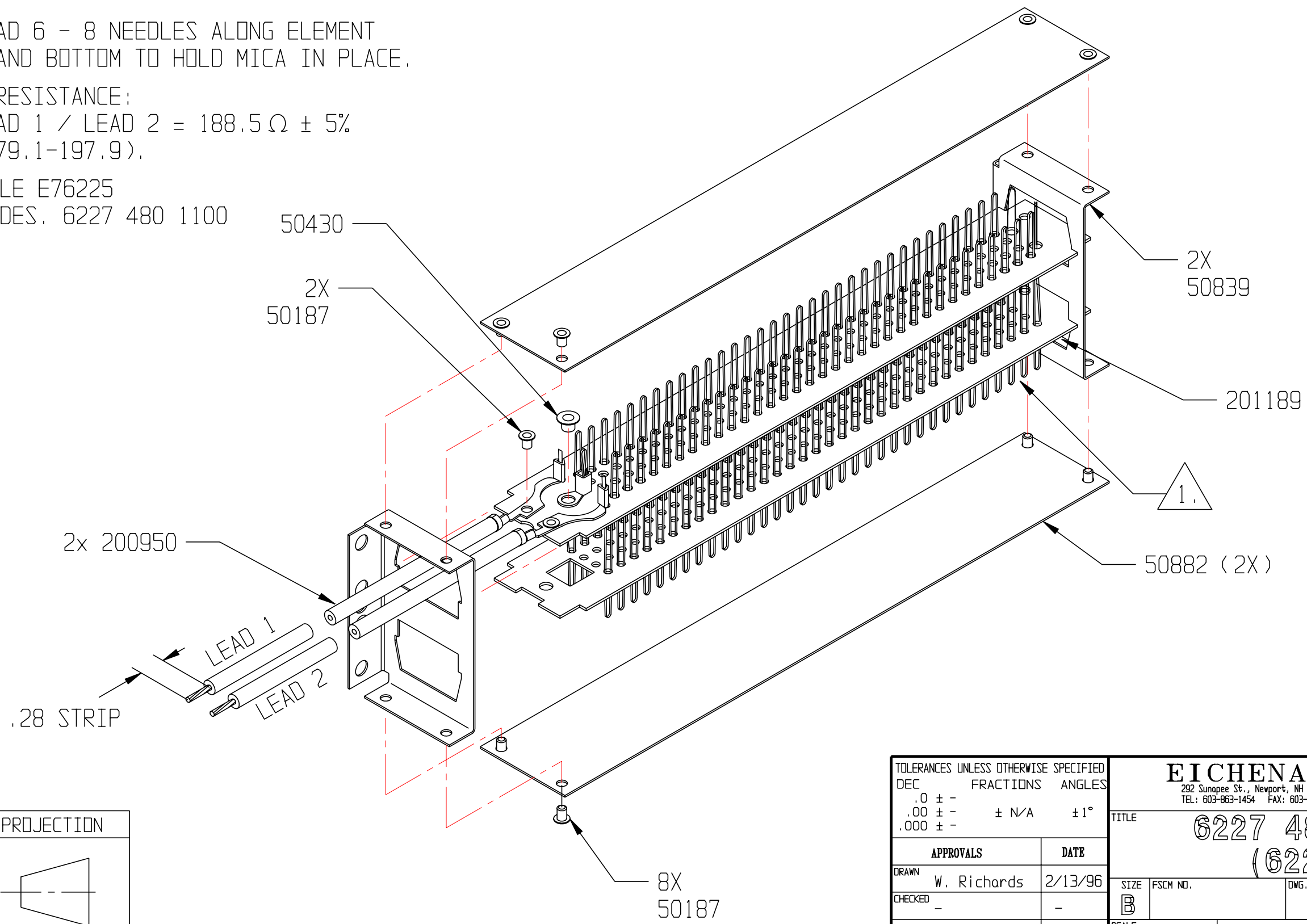
THIS DOCUMENT AND THE DATA DISCLOSED HEREIN OR HEREWITH IS NOT TO BE REPRODUCED, USED, OR DISCLOSED IN WHOLE OR IN PART TO ANYONE WITHOUT THE PERMISSION OF HARTFORD EICHENAUER, INC.


5 REVISED PER ECN 010-06 06/29/06 SJH

REVISIONS			
LTR/NO	DESCRIPTION	DATE	APPROVED
1	PRODUCTION RELEASE	2/13/96	WR
2	REMOVE INK STAMP	1/7/98	KF
3	ECN 006-02 120V MICA	25FEB02	JB
4	ECN 036-03 REVISE PRODUCTION	6AUG03	JB

NOTES:

1.  SPREAD 6 - 8 NEEDLES ALONG ELEMENT TOP AND BOTTOM TO HOLD MICA IN PLACE.
2. COLD RESISTANCE:  
LEAD 1 / LEAD 2 =  $188.5 \Omega \pm 5\%$   
(179.1-197.9).
3. UL FILE E76225  
CAT. DES. 6227 480 1100



TOLERANCES UNLESS OTHERWISE SPECIFIED		<b>EICHENAUER INC.</b> 292 Sunapee St., Newport, NH 03773 TEL: 603-863-1454 FAX: 603-863-1248		
DEC	FRACTIONS			
.0 ± -			TITLE	6227 480V 1100W (6227-K05)
.00 ± -	± N/A	± 1°	SIZE	FSCM NO.
.000 ± -			DWG. NO.	300340
APPROVALS		DATE	REV.	5
DRAWN W. Richards		2/13/96	SCALE	1:1
CHECKED -		-	SHEET	1 of 1