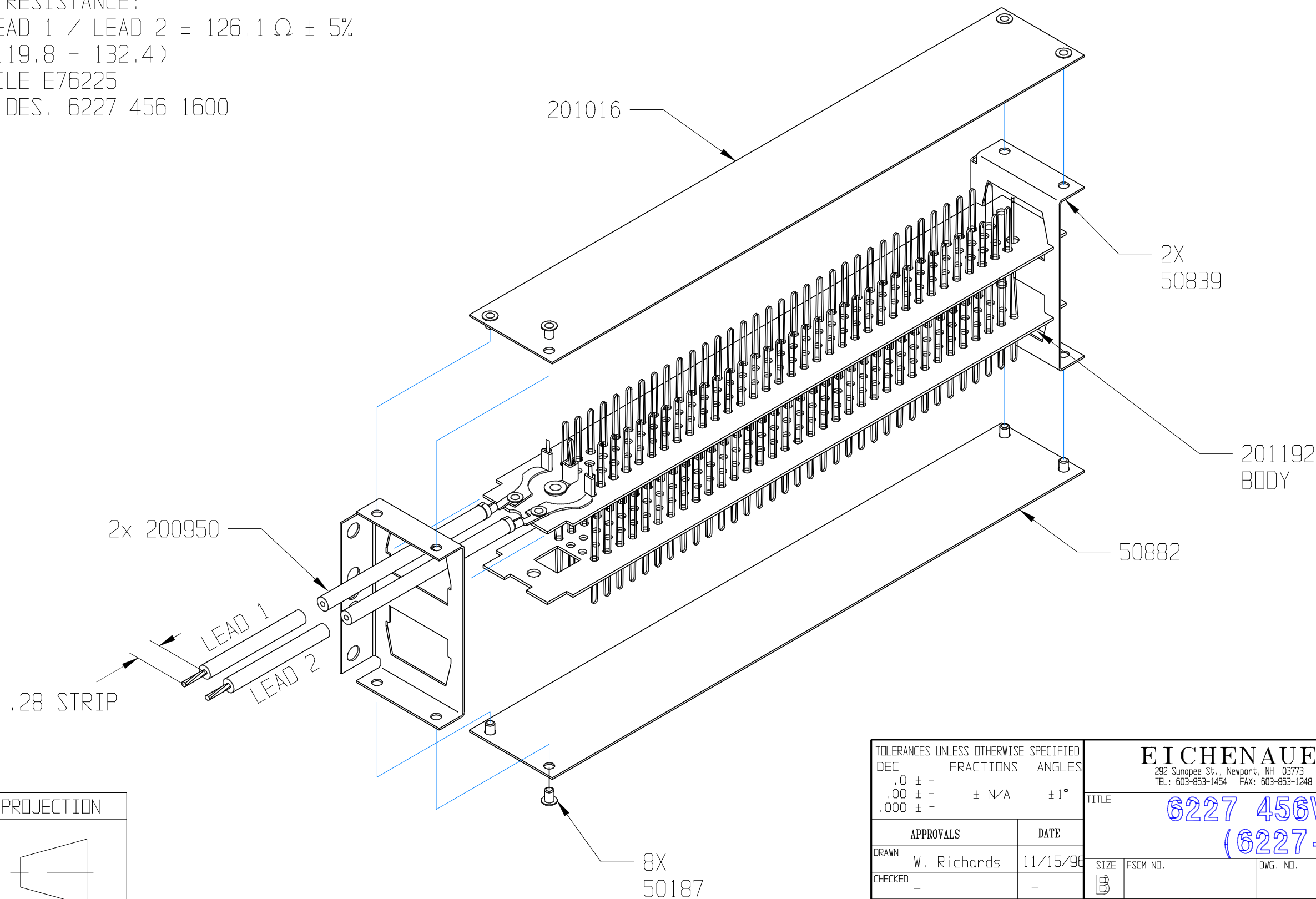


THIS DOCUMENT AND THE DATA DISCLOSED HEREIN OR HEREWITH IS NOT TO BE REPRODUCED, USED, OR DISCLOSED IN WHOLE OR IN PART TO ANYONE WITHOUT THE PERMISSION OF HARTFORD EICHENAUER, INC.

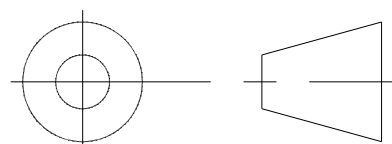
REVISIONS			
LTR/NO	DESCRIPTION	DATE	APPROVED
1	PRODUCTION RELEASE ECN 101-96	11/15/96	WR
2	CHANGED MICA ECN 019-97	04/08/97	KF
3	ECN 039-03 REVISED PRODUCTION	7AUG03	JB
4	ASSEMBLY REVISED PER ECN 010-06	9/14/06	SJH

NOTES:

- DIMENSIONS IN INCHES
- COLD RESISTANCE:
LEAD 1 / LEAD 2 = $126.1 \Omega \pm 5\%$
(119.8 - 132.4)
- UL FILE E76225
CAT. DES. 6227 456 1600



THIRD ANGLE PROJECTION



TOLERANCES UNLESS OTHERWISE SPECIFIED	
DEC	FRACTIONS ANGLES
.0 ± -	
.00 ± -	± N/A ± 1°
.000 ± -	
APPROVALS	DATE
DRAWN W. Richards	11/15/96
CHECKED -	-

EICHENAUER INC.
292 Sunapee St., Newport, NH 03773
TEL: 603-863-1454 FAX: 603-863-1248



6227 456V 1600W
(6227-K10)

SIZE B	FSCM NO.	DWG. NO. 300355	REV. 4
SCALE 1:1	SHEET 1 of 1		