

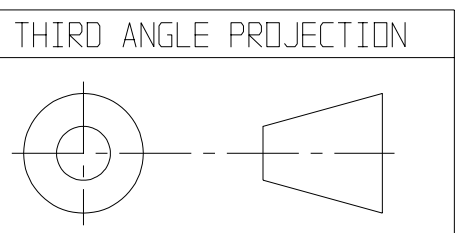
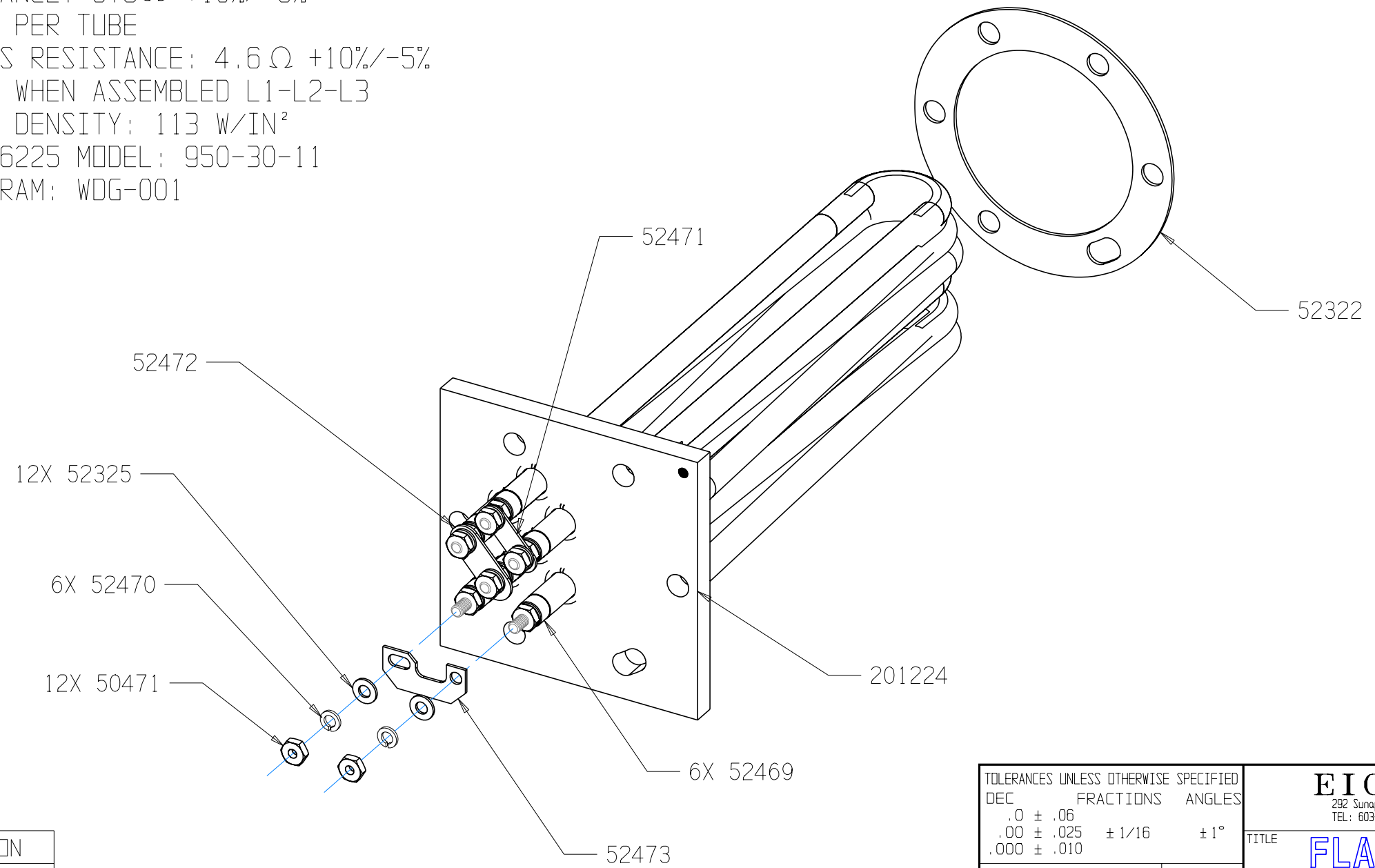
THIS DOCUMENT AND THE DATA DISCLOSED HEREIN OR HEREWITH IS NOT TO BE REPRODUCED, USED, OR DISCLOSED IN WHOLE OR IN PART TO ANYONE WITHOUT THE PERMISSION OF HARTFORD EICHENAUER, INC.

9 UL # REVISED PER ECN 010-13 6/18/13 SJH

REVISIONS			
LTR/NO	DESCRIPTION	DATE	APPROVED
1	PRODUCTION RELEASE	06/26/01	SJH
2	MARKING REVISED PER ECN 021-01	07/31/01	SJH
3	ECN 033-01 (SHEET 2)	10/16/01	SJH
4	NOTES REVISED PER ECN 002-02	01/31/02	SJH
5	REVISED & REDRAWN PER ECN 024-02	07/30/02	SJH
6	ECN 018-03	8MAY03	JB
7	REVISED & REDRAWN PER ECN 014-04	4/30/04	SJH
8	REVISED PER ECN 045-10	11/05/10	SJH

NOTES:

1. DIMENSIONS IN INCHES
2. FLANGE MATERIAL: STEEL
3. SHEATH MATERIAL: STAINLESS STEEL
4. TERMINAL PINS: 10-32 WITH NUTS AND WASHERS AS SHOWN. TOP NUTS TIGHTENED TO 25 IN-LBS
5. COLD RESISTANCE:  $6.9\Omega \pm 10\%/-5\%$  (6.7 - 7.7) PER TUBE
6. BUSS TO BUSS RESISTANCE:  $4.6\Omega \pm 10\%/-5\%$  (4.5 - 5.1) WHEN ASSEMBLED L1-L2-L3
7. SHEATH WATT DENSITY: 113 W/IN<sup>2</sup>
8. UL FILE: E76225 MODEL: 950-30-11
9. WIRING DIAGRAM: WDG-001



TOLERANCES UNLESS OTHERWISE SPECIFIED	
DEC	FRACTIONS ANGLES
.0 ± .06	
.00 ± .025	± 1/16 ± 1°
.000 ± .010	
APPROVALS	DATE
DRAWN S. HEBERT	06/26/01
CHECKED	

**EICHENAUER INC.**  
 292 Sunapee St., Newport, NH 03773  
 TEL: 603-863-1454 FAX: 603-863-1248

TITLE: **FLANGED BOILER HEATER**  
**208V 18KW 3PH**

SIZE: B FSCM NO. DWG. NO. **300400H** REV. **9**

SCALE: 1:2 SHEET: 1 of 2

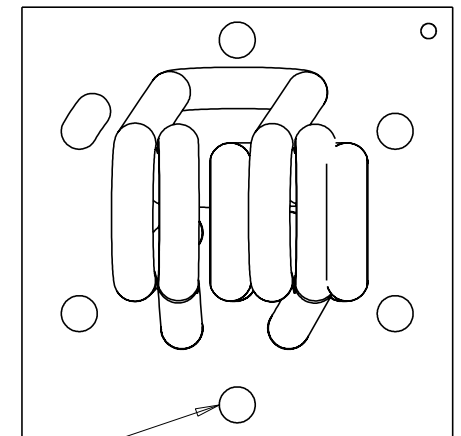
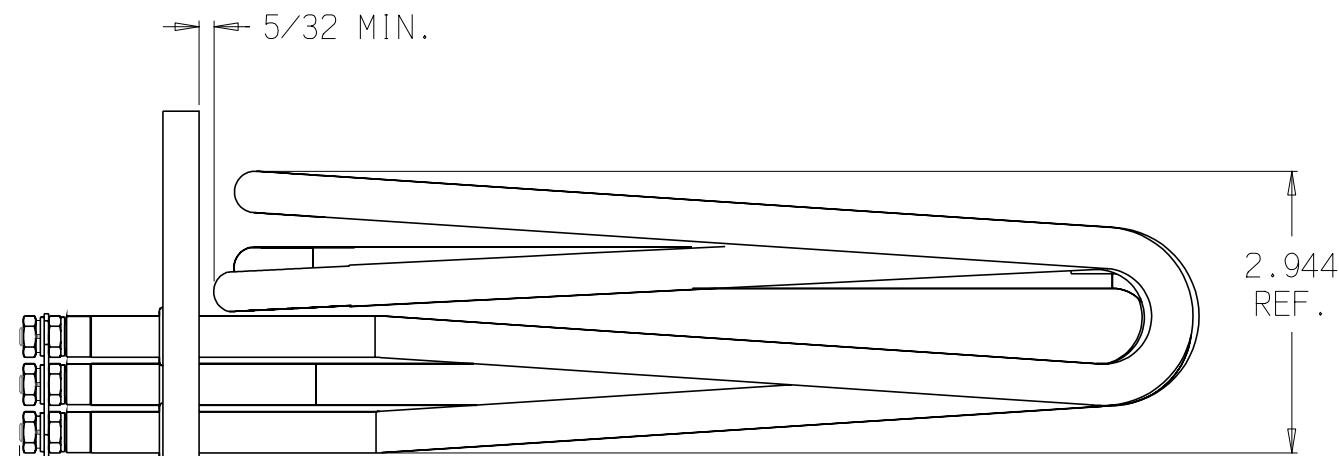
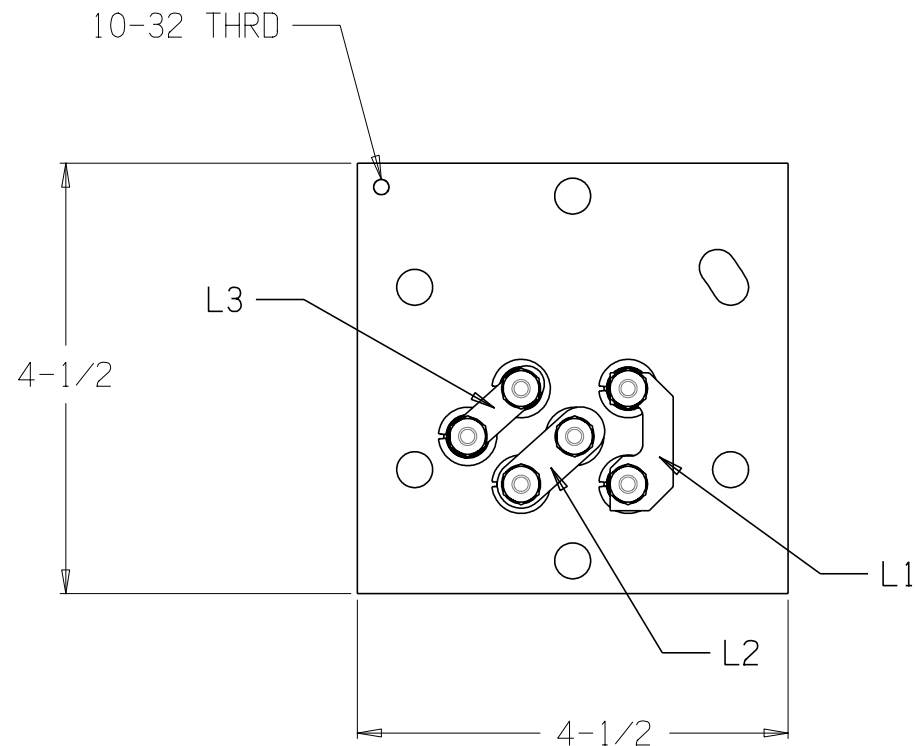
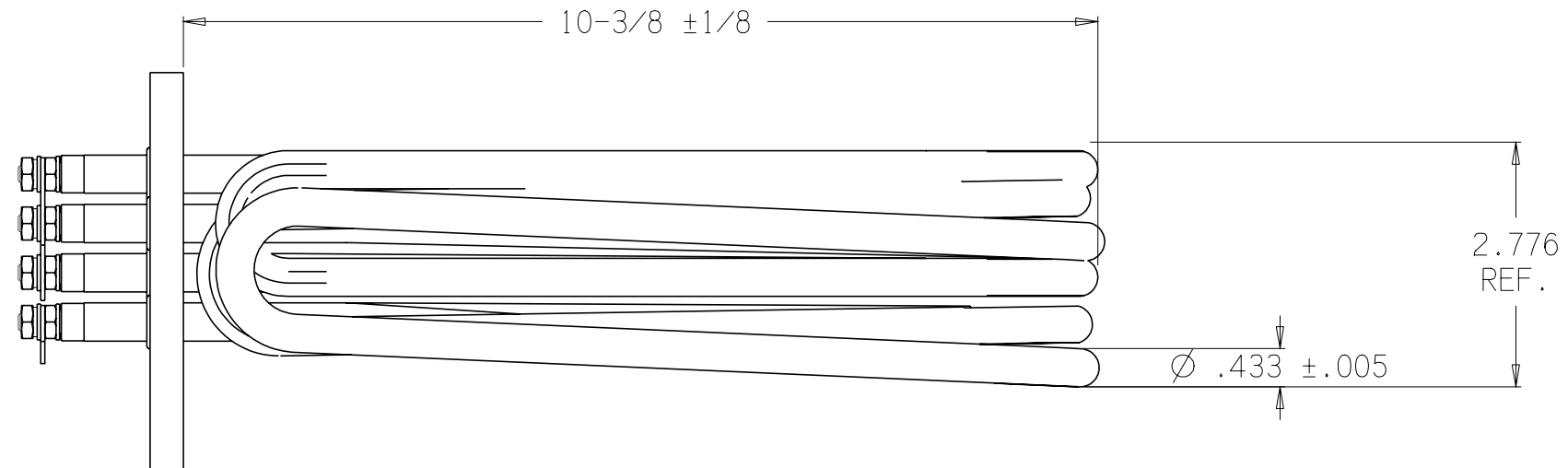
THIS DOCUMENT AND THE DATA DISCLOSED HEREIN OR HEREWITH IS NOT TO BE REPRODUCED, USED, OR DISCLOSED IN WHOLE OR IN PART TO ANYONE WITHOUT THE PERMISSION OF HARTFORD EICHENAUER, INC.

8	REVISED PER ECN 045-10	11/05/10	SJH
9	UL # REVISED PER ECN 010-13	6/18/13	SJH

REVISIONS			
LTR/NO	DESCRIPTION	DATE	APPROVED
1	PRODUCTION RELEASE	06/26/01	SJH
2	MARKING REVISED PER ECN 021-01	07/31/01	SJH
3	ECN 033-01 (SHEET 2)	10/16/01	SJH
4	NOTES REVISED PER ECN 002-02	01/31/02	SJH
5	REVISED & REDRAWN PER ECN 024-02	07/30/02	SJH
6	ECN 018-03	8MAY03	JB
7	REVISED & REDRAWN PER ECN 014-04	4/30/04	SJH

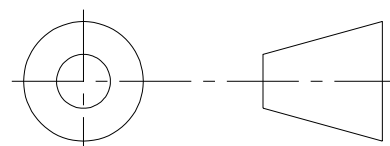
NOTES:

1. DIMENSIONS IN INCHES
2. FLANGE MATERIAL: STEEL
3. SHEATH MATERIAL: STAINLESS STEEL
4. TERMINAL PINS: 10-32 WITH NUTS AND WASHERS AS SHOWN. TOP NUTS TIGHTENED TO 25 IN-LBS
5. COLD RESISTANCE:  $6.9\Omega +10\%/-5\%$  (6.7 - 7.7) PER TUBE
6. BUSS TO BUSS RESISTANCE:  $4.6\Omega +10\%/-5\%$  (4.5 - 5.1) WHEN ASSEMBLED L1-L2-L3
7. SHEATH WATT DENSITY: 113 W/IN<sup>2</sup>
8. UL FILE: E76225 MODEL: 950-30-11
9. WIRING DIAGRAM: WDG-001



(6) 3/8 HOLES ON 3-13/16 DIA. BC

THIRD ANGLE PROJECTION



TOLERANCES UNLESS OTHERWISE SPECIFIED	
DEC	FRACTIONS ANGLES
.0 ± .06	
.00 ± .025	± 1/16 ± 1°
.000 ± .010	
APPROVALS	DATE
DRAWN S. HEBERT	06/26/01
CHECKED	

**EICHENAUER INC.**  
292 Sunapee St., Newport, NH 03773  
TEL: 603-863-1454 FAX: 603-863-1248



TITLE			
FLANGED BOILER HEATER			
208V 18KW 3PH			
SIZE	FSCM NO.	DWG. NO.	REV.
B		300400H	9
SCALE	SHEET		
1:2	2 of 2		