

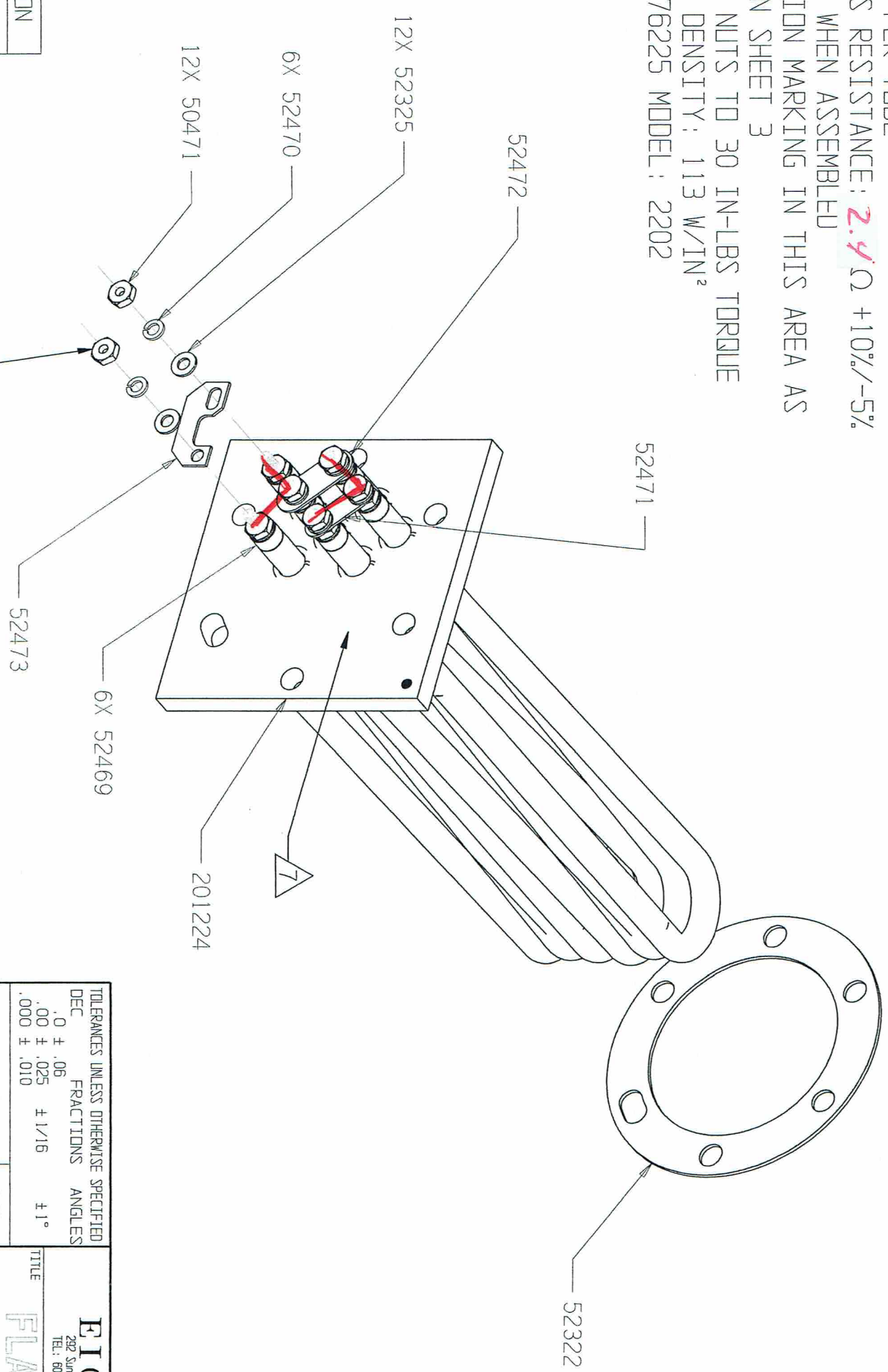
THIS DOCUMENT AND THE DATA DISCLOSED HEREIN OR HEREWITH IS NOT TO BE REPRODUCED, USED, OR DISCLOSED IN WHOLE OR IN PART TO ANYONE WITHOUT THE PERMISSION OF HARTFORD EICHENAUER, INC.

NOTES:

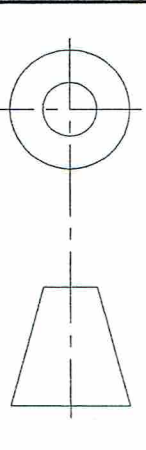
1. DIMENSIONS IN INCHES
2. FLANGE MATERIAL: MILD STEEL
3. SHEATH MATERIAL: 1.4571
4. TERMINAL PINS: 10-32 WITH NUTS AND WASHERS AS SHOWN
5. COLD RESISTANCE: ~~7.9~~ Ω +10%/-5%
~~6.7~~ - ~~7.8~~ PER TUBE
6. BUSS TO BUSS RESISTANCE: ~~2.4~~ Ω +10%/-5%
(~~2.2-2.6~~) WHEN ASSEMBLED
7. IDENTIFICATION MARKING IN THIS AREA AS SPECIFIED ON SHEET 3
8. TIGHTEN TOP NUTS TO 30 IN-LBS TORQUE
9. SHEATH WATT DENSITY: 113 W/IN²
10. UL FILE: E76225 MODEL: 2202

*TEMPORARILY USE ONLY
SA 8/24/12*

REVISIONS			
LR/NO	DESCRIPTION	DATE	APPROVED
1	PRODUCTION RELEASE	06/26/01	SJH
2	MARKING REVISED PER ECN 021-01	07/31/01	SJH
3	ECN 033-01 (SHEET 2)	10/16/01	SJH
4	NOTES REVISED PER ECN 002-02	01/31/02	SJH
5	REVISED & REDRAWN PER ECN 024-02	07/30/02	SJH
6	ECN 018-03	8MAY03	JB
7	REVISED & REDRAWN PER ECN 014-04	4/30/04	SJH
8	REVISED PER ECN 045-10	11/05/10	SJH



THIRD ANGLE PROJECTION



TOLERANCES UNLESS OTHERWISE SPECIFIED	ANGLES
DEC .0 ± .06	FRACTIONS ± 1/16
.00 ± .025	± 1°
.000 ± .010	

EICHENAUER
 292 Sunapee St., Newport, NH 03773
 TEL: 603-863-1454 FAX: 603-863-1248

DRAWN S. HERBERT		DATE 06/26/01	
CHECKED		SCALE 1:2	
TITLE FLANGED BOILER HEATER		SIZE FSCM NO.	
208V 18KW 3PH		DWG. NO.	
3004004		SHEET 1 of 3	
REV. 1			

THIS DOCUMENT AND THE DATA DISCLOSED HEREIN OR HERewith IS NOT TO BE REPRODUCED, USED, OR DISCLOSED IN WHOLE OR IN PART TO ANYONE WITHOUT THE PERMISSION OF HARTFORD EICHENAUER, INC.

8 REVISED PER ECN 045-10

11/05/10

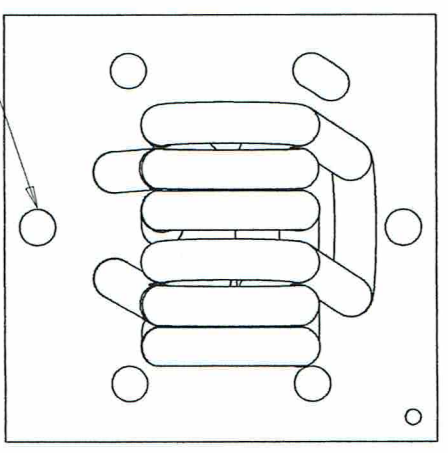
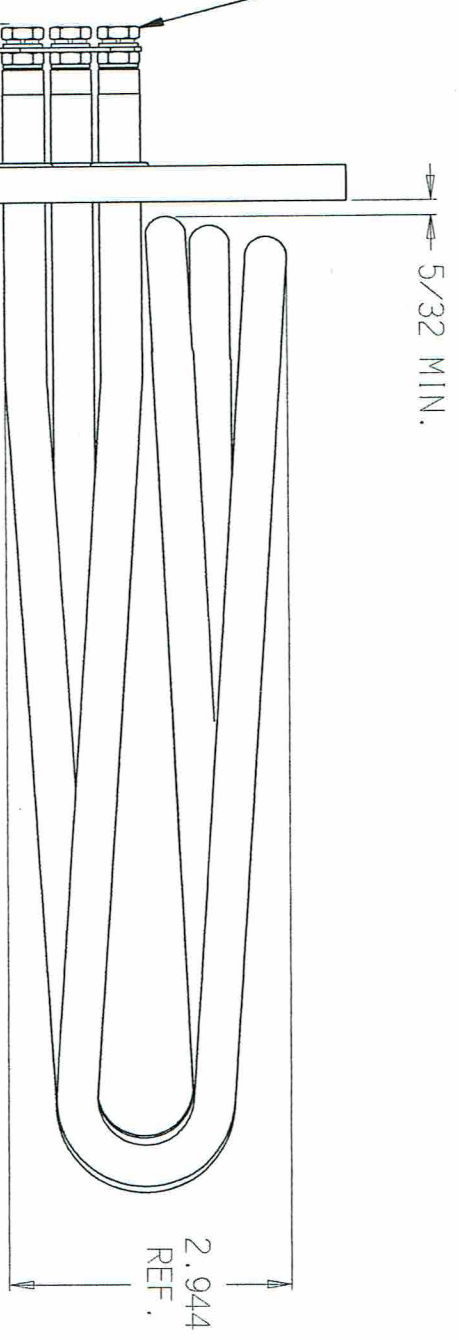
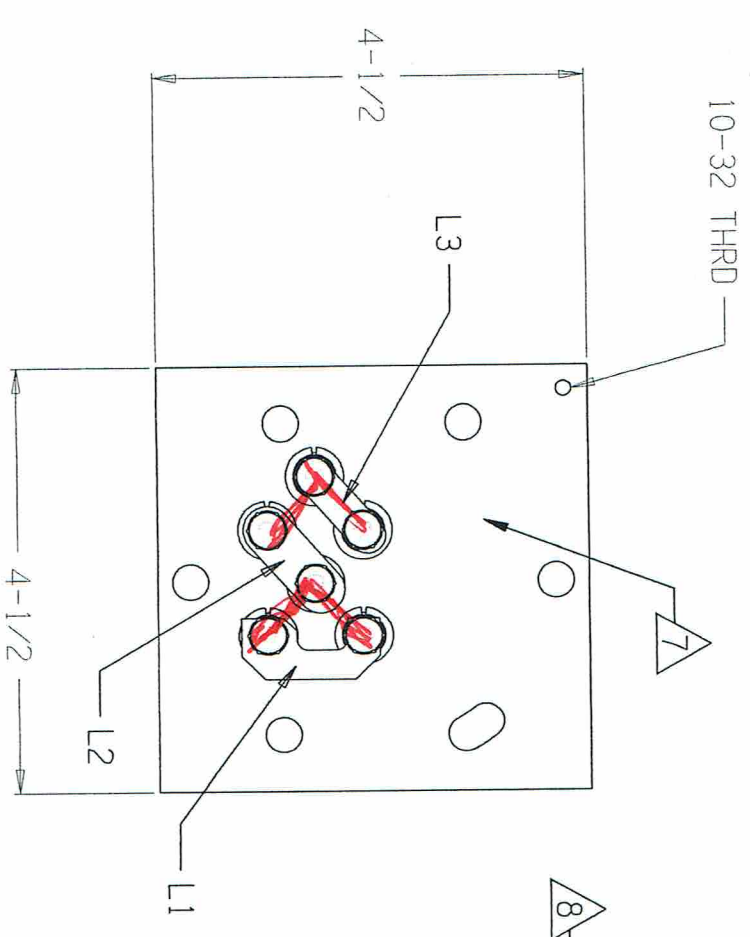
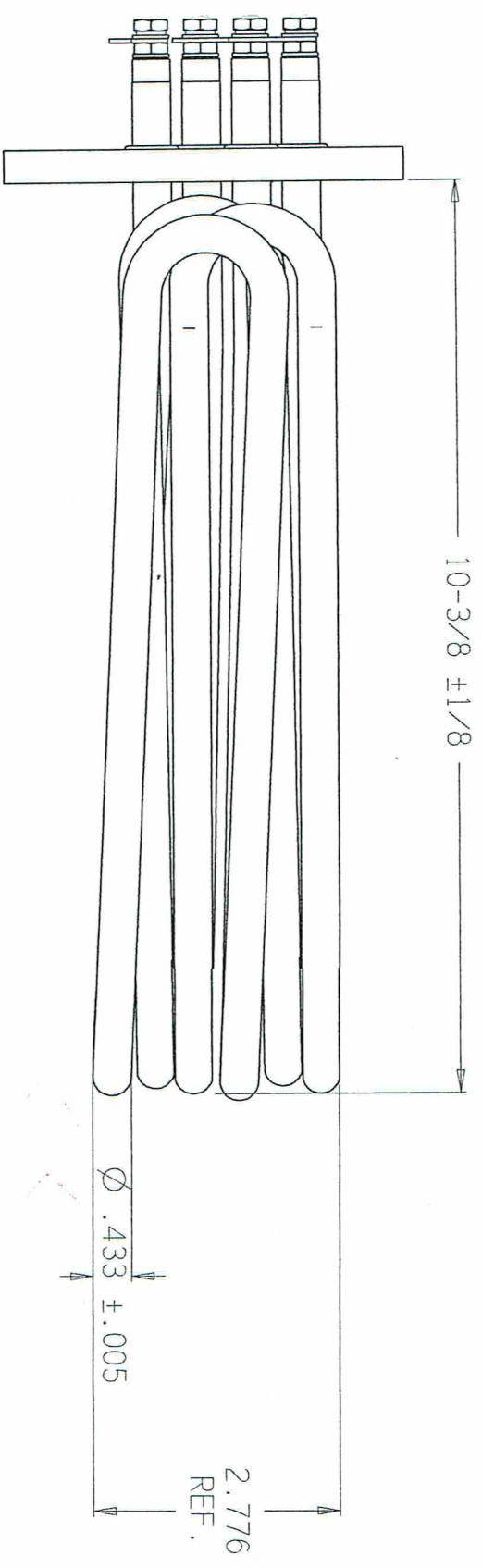
SJH

REVNO	DESCRIPTION	DATE	APPROVED
1	PRODUCTION RELEASE	06/26/01	SJH
2	MARKING REVISED PER ECN 021-01	07/31/01	SJH
3	ECN 033-01 (SHEET 2)	10/16/01	SJH
4	NOTES REVISED PER ECN 002-02	01/31/02	SJH
5	REVISED & REDRAWN PER ECN 024-02	07/30/02	SJH
6	ECN 018-03	8MAY03	JB
7	REVISED & REDRAWN PER ECN 014-04	4/30/04	SJH

*TEMP USE ONLY
S/H 8/29/12*

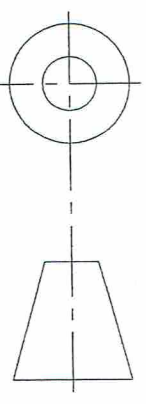
NOTES:

1. DIMENSIONS IN INCHES
2. FLANGE MATERIAL: MILD STEEL
3. SHEATH MATERIAL: 1.4571
4. TERMINAL PINS: 10-32 WITH NUTS AND WASHERS AS SHOWN
5. COLD RESISTANCE: ~~7.8~~ Ω +10%/-5%
6. BUSS TO BUSS RESISTANCE: ~~2.4~~ Ω +10%/-5% (~~2.2-2.6~~) WHEN ASSEMBLED
7. IDENTIFICATION MARKING IN THIS AREA AS SPECIFIED ON SHEET 3
8. TIGHTEN TOP NUTS TO 30 IN-LBS TORQUE
9. SHEATH WATT DENSITY: 113 W/IN²
10. UL FILE: E76225 MODEL: 2202



(6) 3/8 HOLES ON 3-13/16 DIA. BC

THIRD ANGLE PROJECTION



TOLERANCES UNLESS OTHERWISE SPECIFIED

DEC	.0	± .06	FRACTIONS	± 1/16	ANGLES	± 1°
CHECKED	S. HERBERT					
DATE	06/26/01					

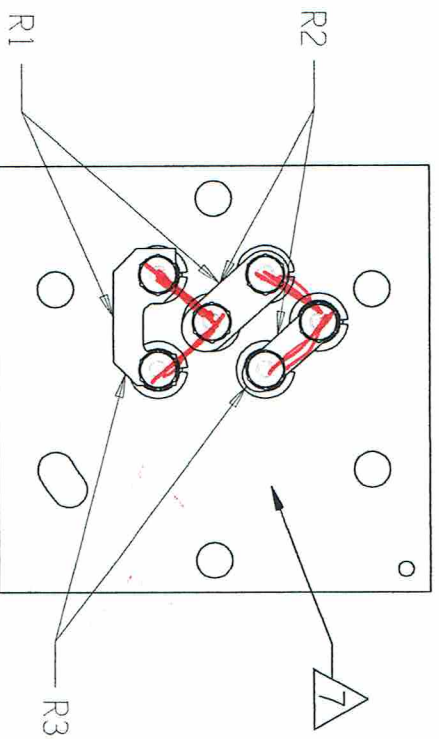
EICHENAUER
292 Sunapee St., Newport, NH 03773
TEL: 603-663-1454 FAX: 603-663-1248

TITLE	FLANGED BOILER HEATER		
SIZE	FSCM NO.	DMG. NO.	REV.
3004001			5
SCALE	1:2		SHEET 2 of 3

THIS DOCUMENT AND THE DATA DISCLOSED HEREIN OR HEREWITH IS NOT TO BE REPRODUCED, USED, OR DISCLOSED IN WHOLE OR IN PART TO ANYONE WITHOUT THE PERMISSION OF HARTFORD EICHENAUER, INC.

NOTES:

1. DIMENSIONS IN INCHES
2. FLANGE MATERIAL: MILD STEEL
3. SHEATH MATERIAL: 1.4571
4. TERMINAL PINS: 10-32 WITH NUTS AND WASHERS AS SHOWN
5. COLD RESISTANCE: ~~7.1~~ Ω +10%/-5% (~~6.7-7.8~~) PER TUBE
6. BUSS TO BUSS RESISTANCE: ~~2.4~~ Ω +10%/-5% (~~2.2-2.6~~) WHEN ASSEMBLED
7. IDENTIFICATION MARKING IN THIS AREA AS SPECIFIED ON SHEET 3
8. TIGHTEN TOP NUTS TO 30 IN-LBS TORQUE
9. SHEATH WATT DENSITY: 113 W/IN²
10. UL FILE: E76225 MODEL: 2202

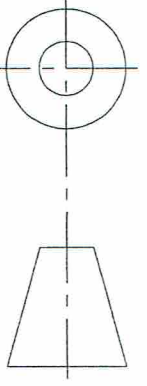


REVISIONS				
LTR/NO	DESCRIPTION	DATE	APPROVED	
1	PRODUCTION RELEASE	06/26/01	SJH	
2	MARKING REVISED PER ECN 021-01	07/31/01	SJH	
3	ECN 033-01 (SHEET 2)	10/16/01	SJH	
4	NOTES REVISED PER ECN 002-02	01/31/02	SJH	
5	REVISED & REDRAWN PER ECN 024-02	07/30/02	SJH	
6	ECN 018-03	8MAY03	JB	
7	REVISED & REDRAWN PER ECN 014-04	4/30/04	SJH	
8	REVISED PER ECN 045-10	11/05/10	SJH	

THIS SHEET IS FOR INTERNAL USE ONLY AND IS NOT TO BE DISCLOSED TO CUSTOMERS!

SUFFIX	GRAVURE PLATE DWG NUMBER	PLATE NUMBER	PRYOR MARKING MACHINE PROGRAM (WHEN USING GRAVURE PLATE)	PRYOR MARKING MACHINE PROGRAM (WHEN NOT USING GRAVURE PLATE)
H	T1035	57	GENERIC1	300400H
P	T1036	57	GENERIC1	300400P

THIRD ANGLE PROJECTION



TOLERANCES UNLESS OTHERWISE SPECIFIED DEC FRACTIONS ANGLES .0 ± .06 .00 ± .025 ± 1/16 ± 1° .000 ± .010		EICHENAUER 202 Sunapee St., Newport, NH 03773 TEL: 603-863-1454 FAX: 603-863-1248	
DRAWN S. HEBERT CHECKED APPROVALS DATE 06/26/01	TITLE FLANGED BOILER HEATER 208V 18KW 3PH	SIZE FSCM NO. B	DWG. NO. 300400H
SCALE 1:2	SHEET 3 of 3	REV.	