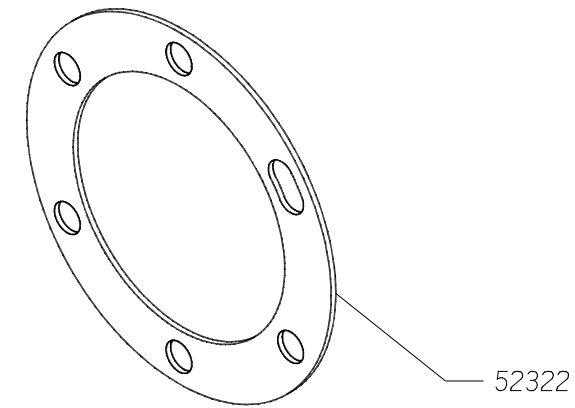
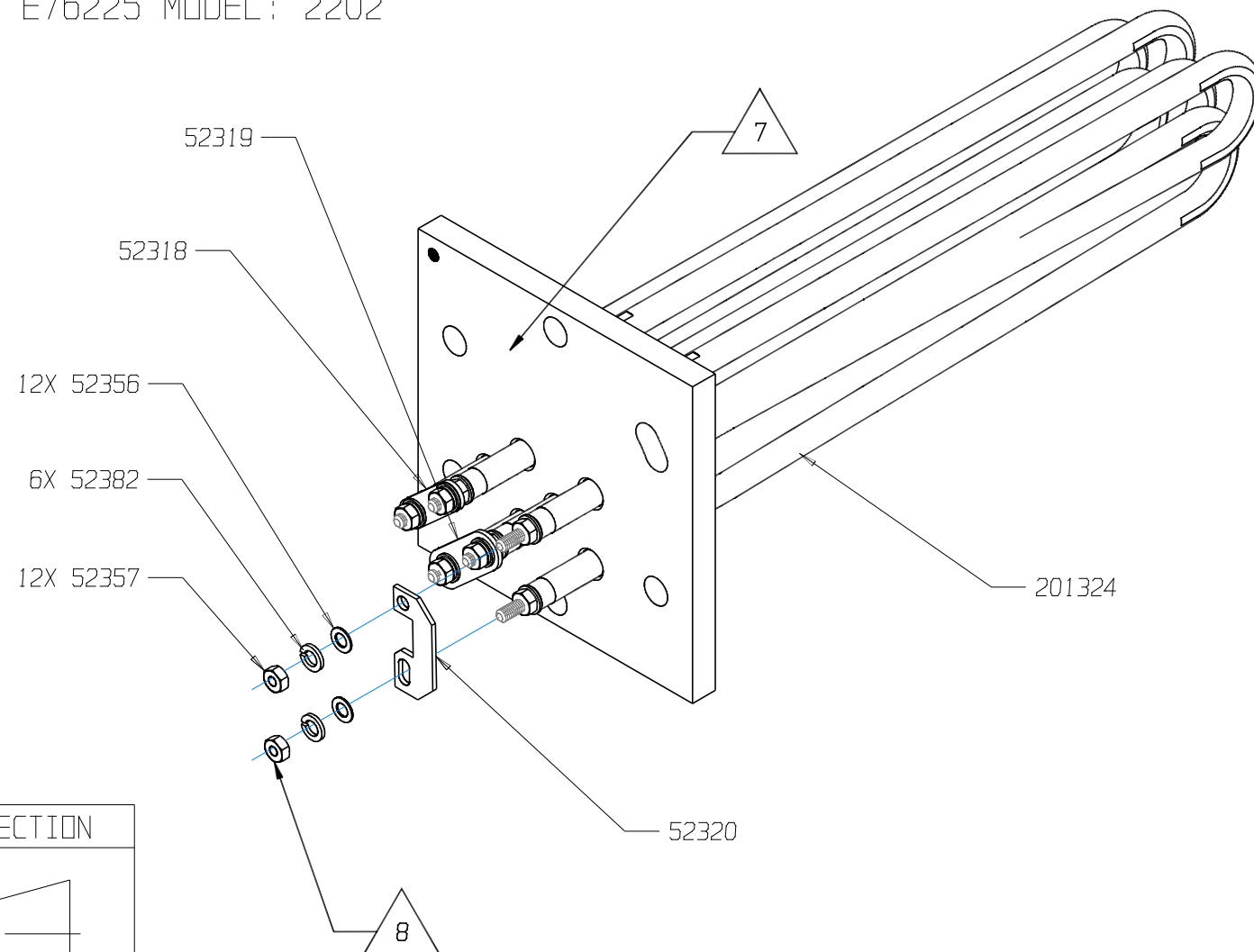


THIS DOCUMENT AND THE DATA DISCLOSED HEREIN OR HEREWITH IS NOT TO BE REPRODUCED, USED, OR DISCLOSED IN WHOLE OR IN PART TO ANYONE WITHOUT THE PERMISSION OF HARTFORD EICHENAUER, INC.

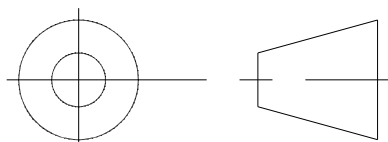
REVISIONS			
LTR/NO	DESCRIPTION	DATE	APPROVED
1	PRODUCTION RELEASE	06/26/01	SJH
2	MARKING REVISED PER ECN 021-01	07/31/01	SJH
3	ECN 033-01 (SHEET2)	10/16/01	SJH
4	NOTES REVISED PER ECN 002-02	01/31/02	SJH
5	REVISED & REDRAWN PER ECN 024-02	07/30/02	SJH
6	ECN 018-03	8May03	JB
7	REVISED & REDRAWN PER ECN 009-06	09/10/05	SJH

NOTES:

1. DIMENSIONS IN INCHES
2. FLANGE MATERIAL: MILD STEEL
3. SHEATH MATERIAL: 1.4571
4. TERMINAL PINS M4X.7 WITH NUTS AND WASHERS AS SHOWN
5. COLD RESISTANCE: $14.1\Omega \pm 10\%/-5\%$ (13.4 - 15.5) PER TUBE
6. BUSS TO BUSS RESISTANCE: $9.4\Omega \pm 10\%/-5\%$ (9.0 - 10.4) WHEN ASSEMBLED
7. IDENTIFICATION MARKING IN THIS AREA AS SPECIFIED ON SHEET 3
8. TIGHTEN TOP NUTS TO 25 IN-LBS TORQUE
9. SHEATH WATT DENSITY: 101 W/IN²
10. UL FILE: E76225 MODEL: 2202



THIRD ANGLE PROJECTION



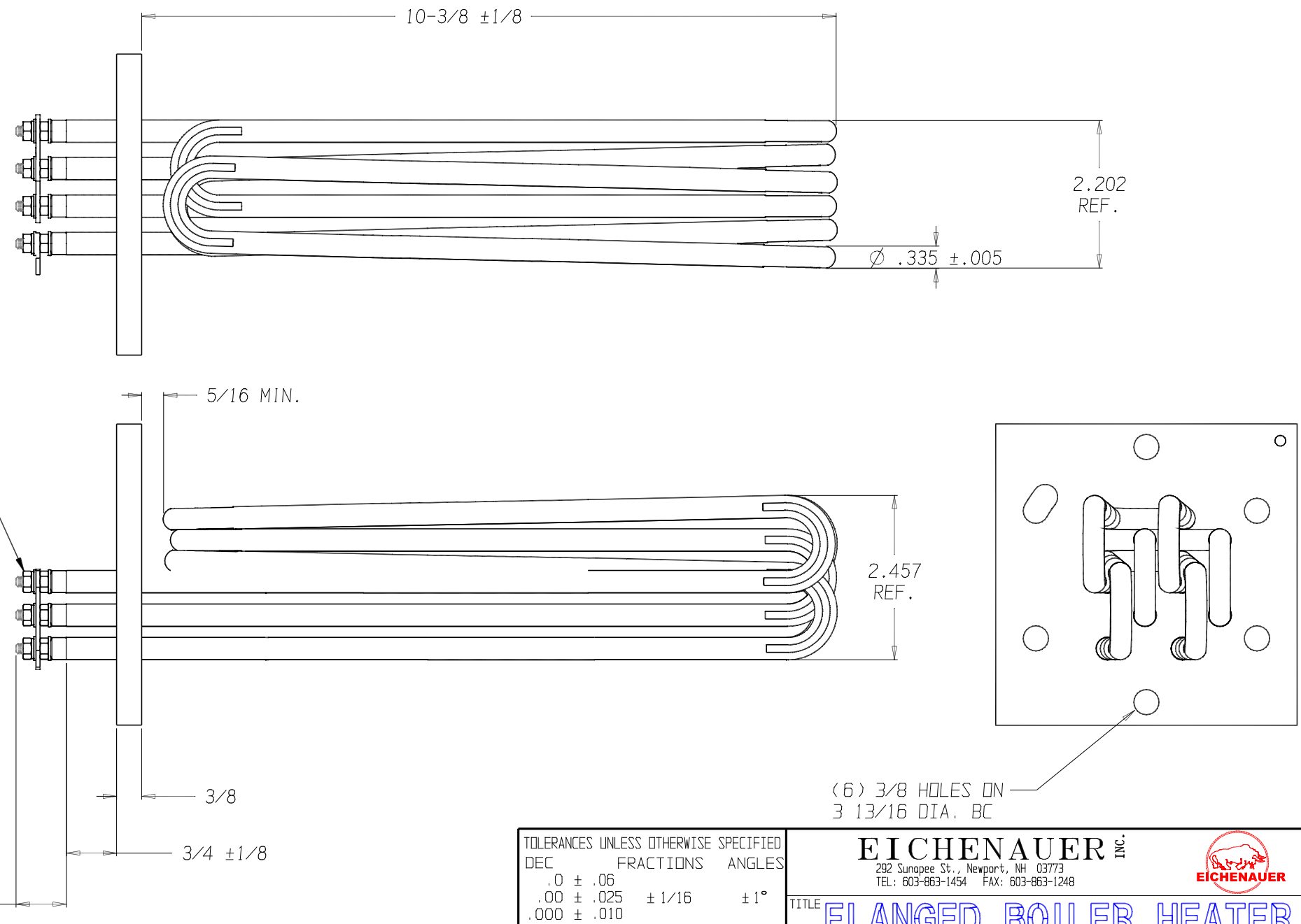
TOLERANCES UNLESS OTHERWISE SPECIFIED DEC FRACTIONS ANGLES .0 ± .06 .00 ± .025 ± 1/16 ± 1° .000 ± .010		EICHENAUER INC. 292 Sunapee St., Newport, NH 03773 TEL: 603-863-1454 FAX: 603-863-1248			
APPROVALS DRAWN S. HEBERT CHECKED		DATE 06/26/01		TITLE FLANGED BOILER HEATER 240V, 12KW, 3PH	
SIZE B		FSCM NO.		DWG. NO. 300401	
SCALE 1:2		SHEET 1 of 3		REV. 7	

THIS DOCUMENT AND THE DATA DISCLOSED HEREIN OR HEREWITH IS NOT TO BE REPRODUCED, USED, OR DISCLOSED IN WHOLE OR IN PART TO ANYONE WITHOUT THE PERMISSION OF HARTFORD EICHENAUER, INC.

REVISIONS			
LTR/NO	DESCRIPTION	DATE	APPROVED
1	PRODUCTION RELEASE	06/26/01	SJH
2	MARKING REVISED PER ECN 021-01	07/31/01	SJH
3	B.C. DIA WAS 3-7/8 PER ECN 033-01	10/16/01	SJH
4	NOTES REVISED PER ECN 002-02	01/31/02	SJH
5	REVISED & REDRAWN PER ECN 024-02	07/30/02	SJH
6	ECN 018-03	8May03	JB
7	REVISED & REDRAWN PER ECN 009-06	06/22/06	SJH

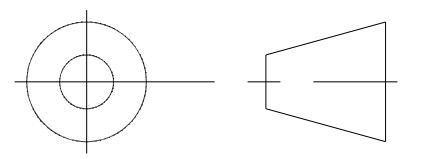
NOTES:


- DIMENSIONS IN INCHES
- FLANGE MATERIAL: MILD STEEL
- SHEATH MATERIAL: 1.4571
- TERMINAL PINS M4X.7 WITH NUTS AND WASHERS AS SHOWN
- COLD RESISTANCE: $14.1\Omega \pm 10\%/-5\%$ (13.4 - 15.5) PER TUBE
- BUSS TO BUSS RESISTANCE: $9.4\Omega \pm 10\%/-5\%$ (9.0 - 10.4) WHEN ASSEMBLED
- IDENTIFICATION MARKING IN THIS AREA AS SPECIFIED ON SHEET 3
- TIGHTEN TOP NUTS TO 25 IN-LBS TORQUE
- SHEATH WATT DENSITY: 101 W/IN²
- UL FILE: E76225 MODEL: 2202



(6) 3/8 HOLES ON 3 13/16 DIA. BC

THIRD ANGLE PROJECTION



TOLERANCES UNLESS OTHERWISE SPECIFIED		EICHENAUER INC. 292 Sunapee St., Newport, NH 03773 TEL: 603-863-1454 FAX: 603-863-1248			
DEC	FRACTIONS	ANGLES	TITLE FLANGED BOILER HEATER 240V, 12KW, 3PH		
.0 ± .06		± 1°	SIZE	FSCM NO.	DWG. NO.
.00 ± .025	± 1/16		B		300401
.000 ± .010			SCALE		SHEET
			1:2		2 of 3
APPROVALS	DATE	DRAWN		REV.	
		S. HEBERT		7	
CHECKED					