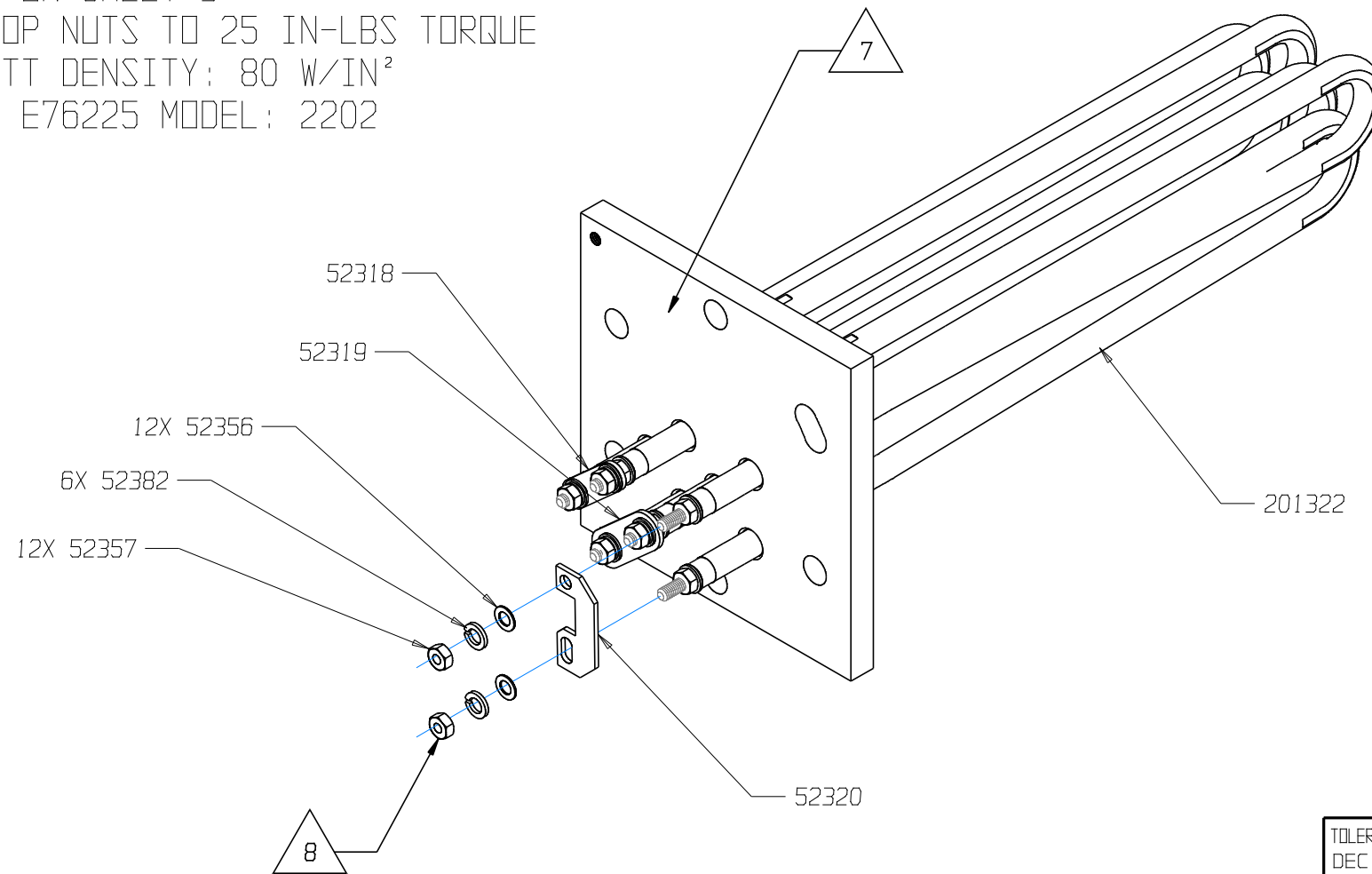


THIS DOCUMENT AND THE DATA DISCLOSED HEREIN OR HEREWITH IS NOT TO BE REPRODUCED, USED, OR DISCLOSED IN WHOLE OR IN PART TO ANYONE WITHOUT THE PERMISSION OF HARTFORD EICHENAUER, INC.

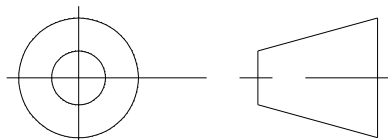
NOTES:

1. DIMENSIONS IN INCHES
2. FLANGE MATERIAL: MILD STEEL
3. SHEATH MATERIAL: 1.4571
4. TERMINAL PINS M4X.7 WITH NUTS AND WASHERS AS SHOWN
5. COLD RESISTANCE: $15.8\Omega \pm 10\%/-5\%$ (15.1 - 17.4) PER TUBE
6. BUSS TO BUSS RESISTANCE: $10.5\Omega \pm 10\%/-5\%$ (10.0 - 11.6) WHEN ASSEMBLED
7. IDENTIFICATION MARKING IN THIS AREA AS SPECIFIED ON SHEET 3
8. TIGHTEN TOP NUTS TO 25 IN-LBS TORQUE
9. SHEATH WATT DENSITY: 80 W/IN²
10. UL FILE: E76225 MODEL: 2202

REVISIONS			
LTR/NO	DESCRIPTION	DATE	APPROVED
1	PRODUCTION RELEASE	06/26/01	SJH
2	MARKING REVISED PER ECN 021-01	07/31/01	SJH
3	ECN 033-01 (SHEET 2)	10/16/01	SJH
4	NOTES REVISED PER ECN 002-02	01/31/02	SJH
5	9-7/8 WAS 10-3/8 PER ECN 020-02	05/20/02	JB
6	REVISED & REDRAWN PER ECN 024-02	07/30/02	SJH
7	ECN 018-03	8May03	JB
8	REVISED & REDRAWN PER ECN 004-06	03/14/06	SJH



THIRD ANGLE PROJECTION



TOLERANCES UNLESS OTHERWISE SPECIFIED		
DEC	FRACTIONS	ANGLES
.0 ± .06		
.00 ± .025	± 1/16	± 1°
.000 ± .010		

EICHENAUER INC.
 292 Sunapee St., Newport, NH 03773
 TEL: 603-863-1454 FAX: 603-863-1248



TITLE **FLANGED BOILER HEATER**
220V, 9KW, 3PH

APPROVALS	DATE
DRAWN S. HEBERT	06/26/01
CHECKED	

SIZE B	FSCM NO.	DWG. NO. 300404	REV. 8
--------	----------	-----------------	--------

SCALE 1:2	SHEET 1 of 3
-----------	--------------

