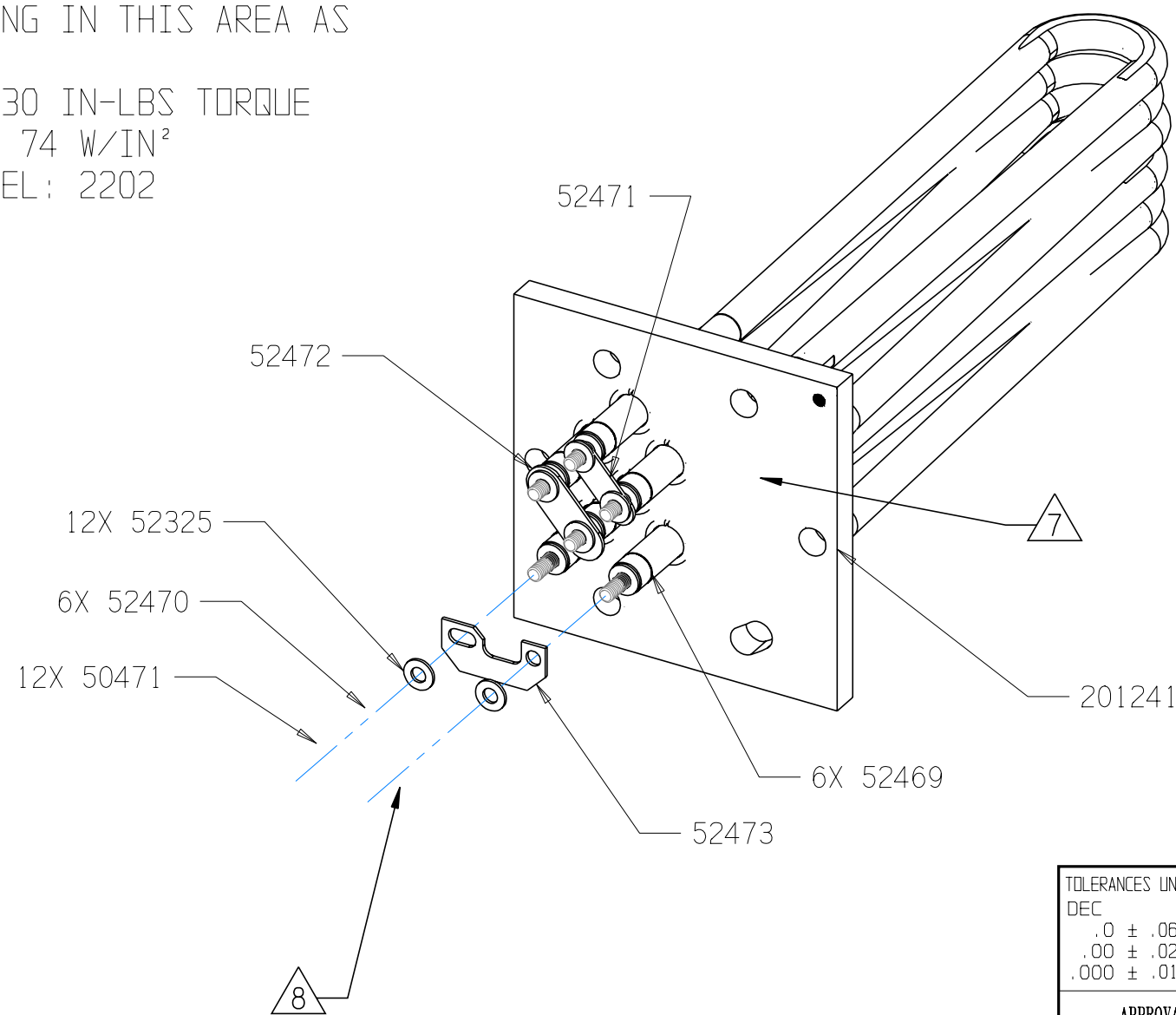


THIS DOCUMENT AND THE DATA DISCLOSED HEREIN OR HERewith IS NOT TO BE REPRODUCED, USED, OR DISCLOSED IN WHOLE OR IN PART TO ANYONE WITHOUT THE PERMISSION OF HARTFORD EICHENAUER, INC.

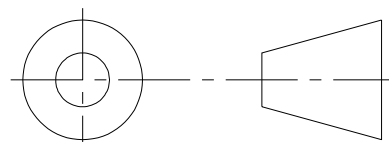
REVISIONS			
LTR/NO	DESCRIPTION	DATE	APPROVED
1	PRODUCTION RELEASE	8/07/01	SJH
2	ECN 024-02	7/30/02	SJH
3	ECN 051-03	10/09/03	JB
4	REVISED & REDRAWN PER ECN 026-04	06/21/04	SJH
5	ECN 045-10	11/08/10	SJH

NOTES:

1. DIMENSIONS IN INCHES
2. FLANGE MATERIAL: MILD STEEL
3. SHEATH MATERIAL: 1.4571
4. TERMINAL PINS: 10-32 WITH NUTS AND WASHERS AS SHOWN
5. COLD RESISTANCE: $10.6 \Omega \pm 10\% / -5\%$ (10.1 - 11.7) PER TUBE
6. BUSS TO BUSS RESISTANCE: $7.1 \Omega \pm 10\% / -5\%$ (6.7 - 7.8) WHEN ASSEMBLED
7. IDENTIFICATION MARKING IN THIS AREA AS SPECIFIED ON SHEET 3
8. TIGHTEN TOP NUTS TO 30 IN-LBS TORQUE
9. SHEATH WATT DENSITY: 74 W/IN²
10. UL FILE: E76225 MODEL: 2202



THIRD ANGLE PROJECTION



TOLERANCES UNLESS OTHERWISE SPECIFIED		
DEC	FRACTIONS	ANGLES
.0 ± .06		
.00 ± .025	± 1/16	± 1°
.000 ± .010		

EICHENAUER INC.
292 Sunapee St., Newport, NH 03773
TEL: 603-863-1454 FAX: 603-863-1248



FLANGED BOILER HEATER
208V 12KW 3PH

APPROVALS	DATE
DRAWN S. HEBERT	06/07/01
CHECKED	

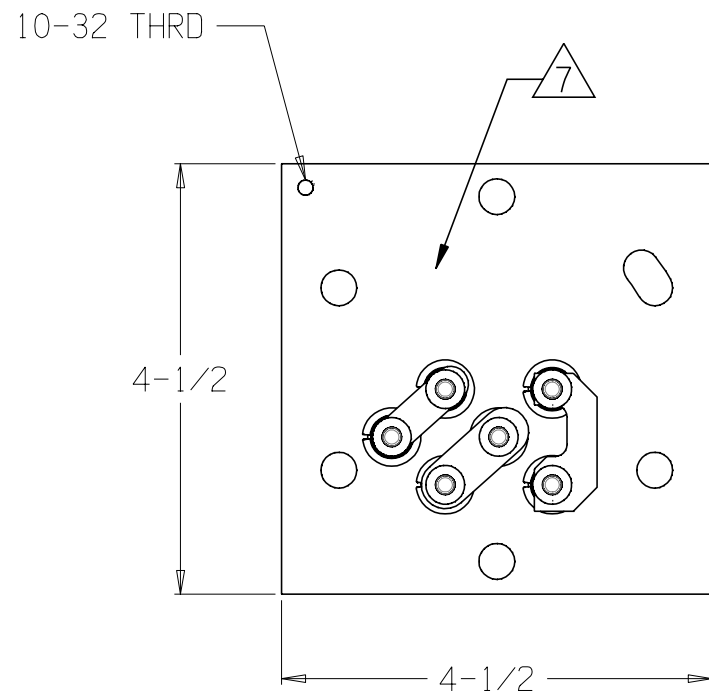
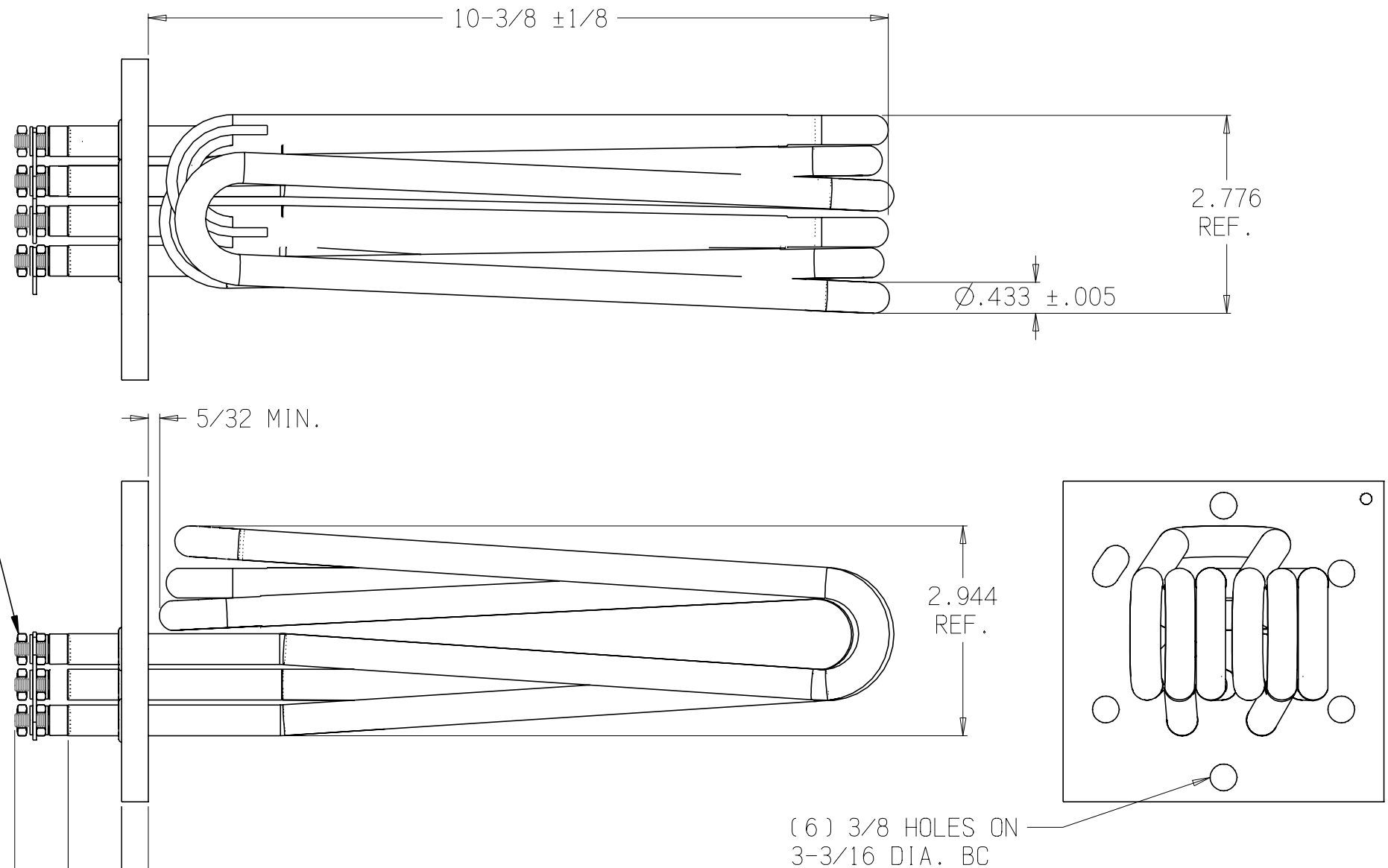
SIZE	FSCM NO.	DWG. NO.	REV.
B		300408H	5
SCALE	SHEET		
1:2	1 of 3		

THIS DOCUMENT AND THE DATA DISCLOSED HEREIN OR HERewith IS NOT TO BE REPRODUCED, USED, OR DISCLOSED IN WHOLE OR IN PART TO ANYONE WITHOUT THE PERMISSION OF HARTFORD EICHENAUER, INC.

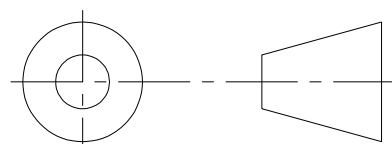
REVISIONS			
LTR/NO	DESCRIPTION	DATE	APPROVED
1	PRODUCTION RELEASE	8/07/01	SJH
2	ECN 024-02	7/30/02	SJH
3	ECN 051-03	10/09/03	JB
4	REVISED & REDRAWN PER ECN 026-04	06/21/04	SJH
5	ECN 045-10	11/08/10	SJH


NOTES:

1. DIMENSIONS IN INCHES
2. FLANGE MATERIAL: MILD STEEL
3. SHEATH MATERIAL: 1.4571
4. TERMINAL PINS: 10-32 WITH NUTS AND WASHERS AS SHOWN
5. COLD RESISTANCE: $10.6 \Omega \pm 10\%/-5\%$ (10.1 - 11.7) PER TUBE
6. BUSS TO BUSS RESISTANCE: $7.1 \Omega \pm 10\%/-5\%$ (6.7 - 7.8) WHEN ASSEMBLED
7. IDENTIFICATION MARKING IN THIS AREA AS SPECIFIED ON SHEET 3
8. TIGHTEN TOP NUTS TO 30 IN-LBS TORQUE
9. SHEATH WATT DENSITY: 74 W/IN²
10. UL FILE: E76225 MODEL: 2202



THIRD ANGLE PROJECTION



TOLERANCES UNLESS OTHERWISE SPECIFIED		EICHENAUER INC.	
DEC	FRACTIONS	292 Sunapee St., Newport, NH 03773 TEL: 603-863-1454 FAX: 603-863-1248	
.0 ± .06	± 1/16		
.00 ± .025	± 1°		
.000 ± .010		TITLE FLANGED BOILER HEATER 208V 12KW 3PH	
APPROVALS	DATE	SIZE	REV.
DRAWN S. HEBERT	06/07/01	B	5
CHECKED		SCALE 1:2	SHEET 2 of 3
		DWG. NO. 300408H	