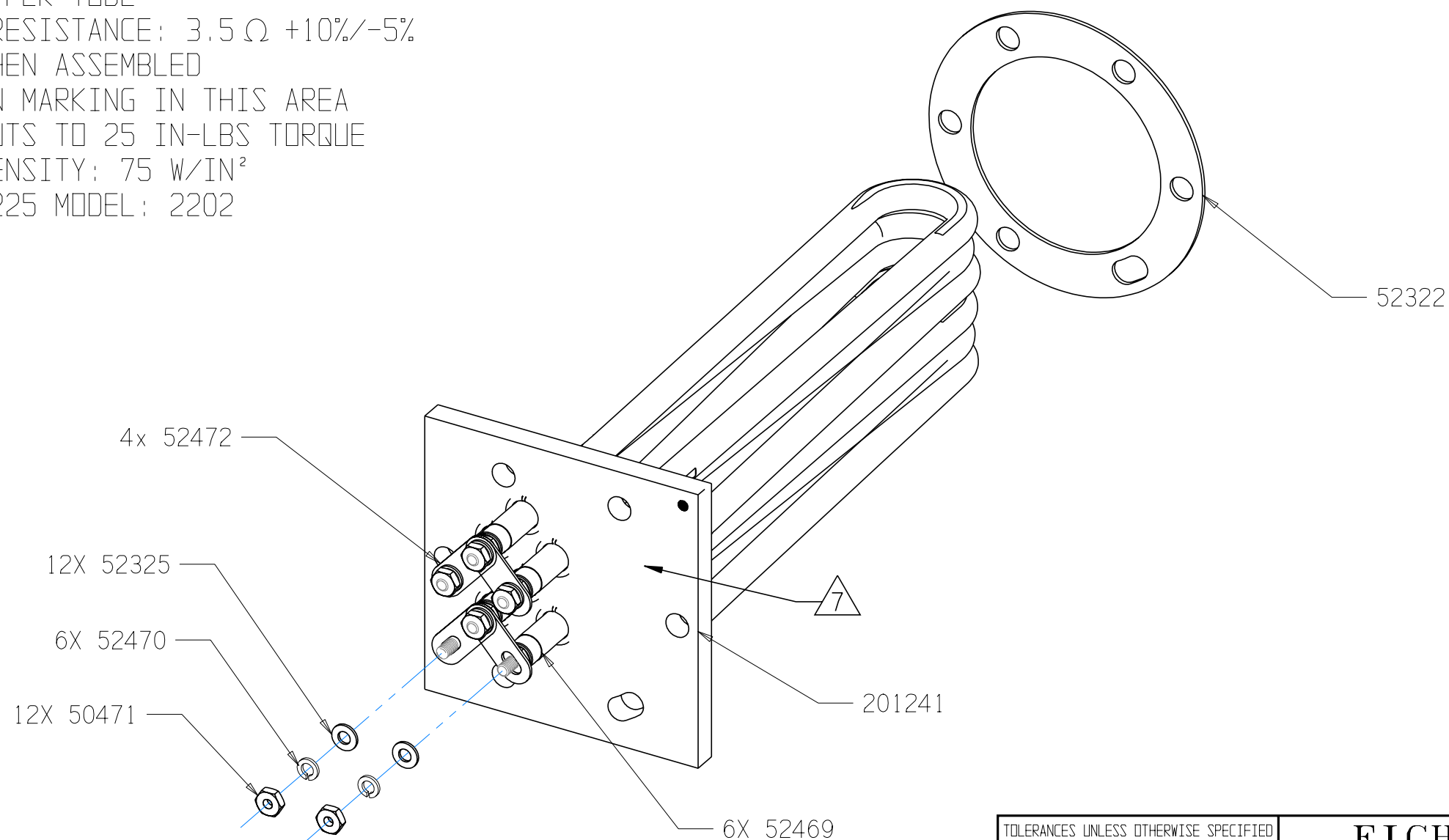


THIS DOCUMENT AND THE DATA DISCLOSED HEREIN OR HEREWITH IS NOT TO BE REPRODUCED, USED, OR DISCLOSED IN WHOLE OR IN PART TO ANYONE WITHOUT THE PERMISSION OF HARTFORD EICHENAUER, INC.

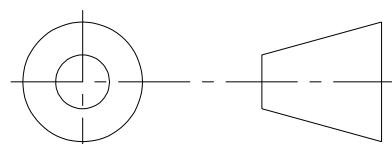
REVISIONS			
LTR/NO	DESCRIPTION	DATE	APPROVED
1	PRODUCTION RELEASE	10/25/11	SJH

NOTES:

1. DIMENSIONS IN INCHES
2. FLANGE MATERIAL: STEEL
3. SHEATH MATERIAL: 1.4571
4. TERMINAL PINS: 10-32 WITH NUTS AND WASHERS AS SHOWN
5. COLD RESISTANCE:  $10.6 \Omega \pm 10\% / -5\%$  (10.1 - 11.7) PER TUBE
6. BUSS TO BUSS RESISTANCE:  $3.5 \Omega \pm 10\% / -5\%$  (3.4 - 3.9) WHEN ASSEMBLED
7. IDENTIFICATION MARKING IN THIS AREA
8. TIGHTEN TOP NUTS TO 25 IN-LBS TORQUE
9. SHEATH WATT DENSITY: 75 W/IN<sup>2</sup>
10. UL FILE: E76225 MODEL: 2202



THIRD ANGLE PROJECTION



TOLERANCES UNLESS OTHERWISE SPECIFIED		
DEC	FRACTIONS	ANGLES
.0 ± .06		± 1°
.00 ± .025	± 1/16	
.000 ± .010		

**EICHENAUER INC.**  
 292 Sunapee St., Newport, NH 03773  
 TEL: 603-863-1454 FAX: 603-863-1248



**FLANGED BOILER HEATER**  
**208V 12KW 1PH**

APPROVALS	DATE
DRAWN S. HEBERT	10/25/11
CHECKED	

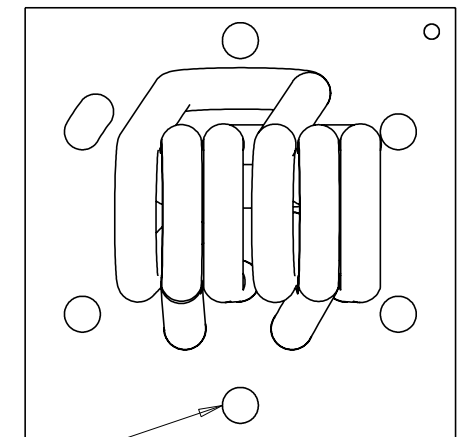
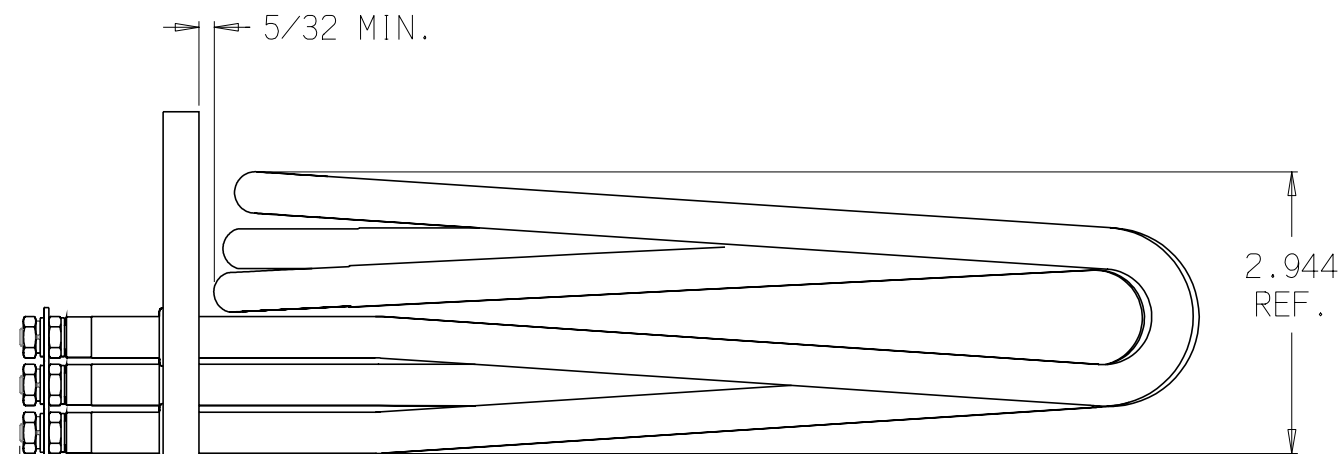
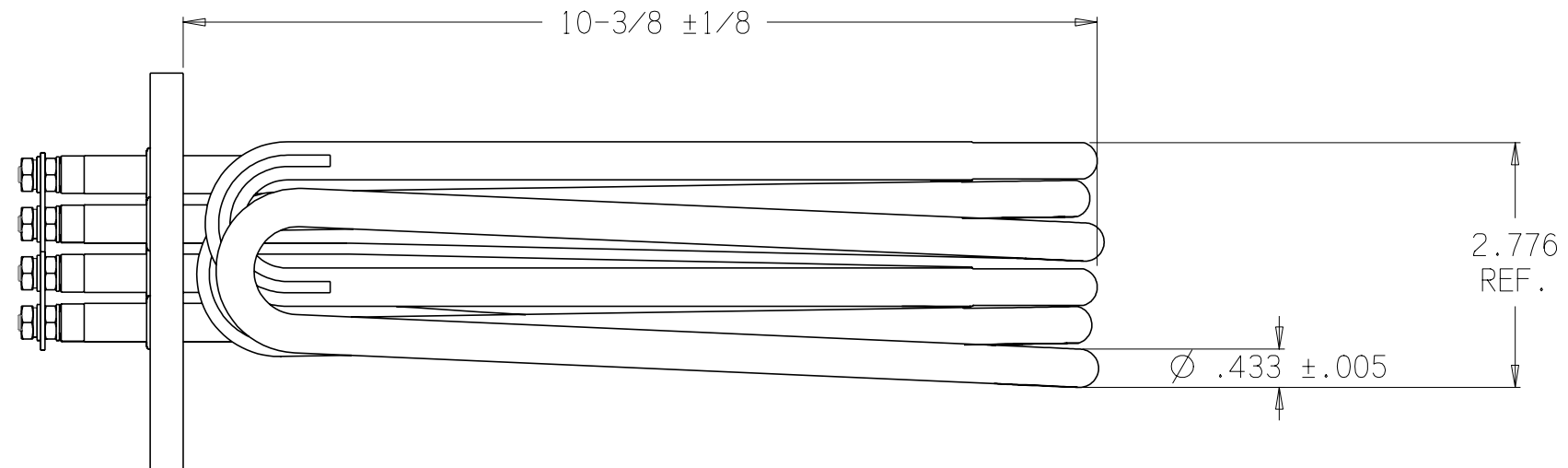
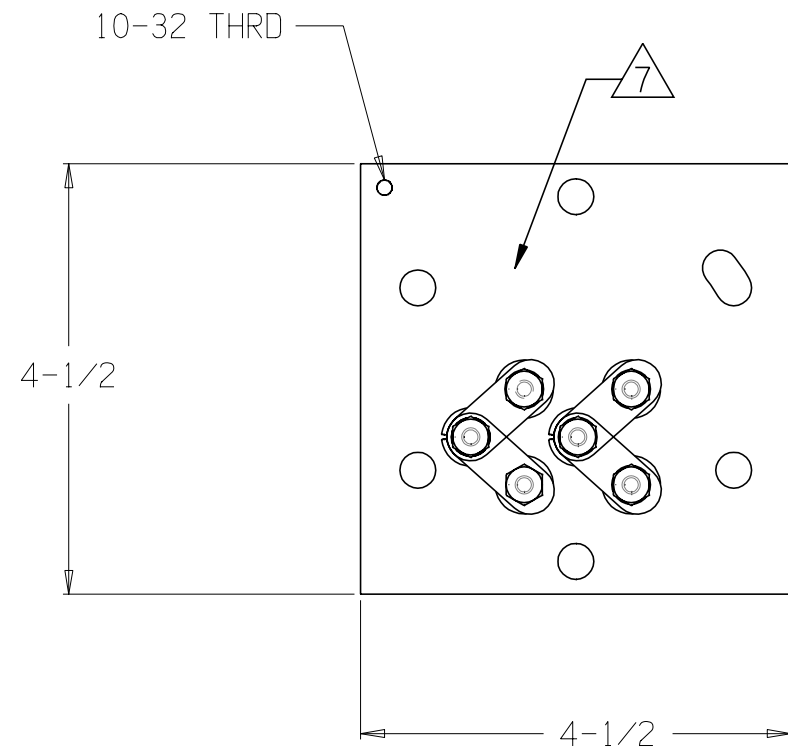
SIZE	FSCM NO.	DWG. NO.	REV.
B		300408J	1
SCALE	SHEET		
1:2	1 of 2		

THIS DOCUMENT AND THE DATA DISCLOSED HEREIN OR HEREWITH IS NOT TO BE REPRODUCED, USED, OR DISCLOSED IN WHOLE OR IN PART TO ANYONE WITHOUT THE PERMISSION OF HARTFORD EICHENAUER, INC.

REVISIONS			
LTR/NO	DESCRIPTION	DATE	APPROVED
1	PRODUCTION RELEASE	10/25/11	SJH

NOTES:

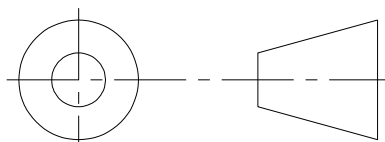
- DIMENSIONS IN INCHES
- FLANGE MATERIAL: STEEL
- SHEATH MATERIAL: 1.4571
- TERMINAL PINS: 10-32 WITH NUTS AND WASHERS AS SHOWN
- COLD RESISTANCE:  $10.6\ \Omega \pm 10\%/-5\%$  (10.1 - 11.7) PER TUBE
- BUSS TO BUSS RESISTANCE:  $3.5\ \Omega \pm 10\%/-5\%$  (3.4 - 3.9) WHEN ASSEMBLED
- IDENTIFICATION MARKING IN THIS AREA
- TIGHTEN TOP NUTS TO 25 IN-LBS TORQUE
- SHEATH WATT DENSITY: 75 W/IN<sup>2</sup>
- UL FILE: E76225 MODEL: 2202




(6) 3/8 HOLES ON 3-13/16 DIA. BC

3/4 MIN.

THIRD ANGLE PROJECTION



TOLERANCES UNLESS OTHERWISE SPECIFIED		<b>EICHENAUER INC.</b>		 292 Sunapee St., Newport, NH 03773 TEL: 603-863-1454 FAX: 603-863-1248	
DEC	FRACTIONS	ANGLES	TITLE		
.0 ± .06		± 1°	<b>FLANGED BOILER HEATER</b>		
.00 ± .025	± 1/16		<b>208V 12KW 1PH</b>		
.000 ± .010					
APPROVALS		DATE		SIZE	FSCM NO.
DRAWN S. HEBERT		10/25/11		B	
CHECKED				DWG. NO.	300408J
				REV.	1
				SCALE	1:2
				SHEET	2 of 2