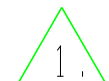


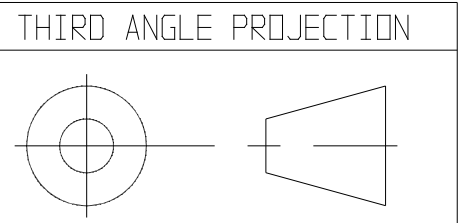
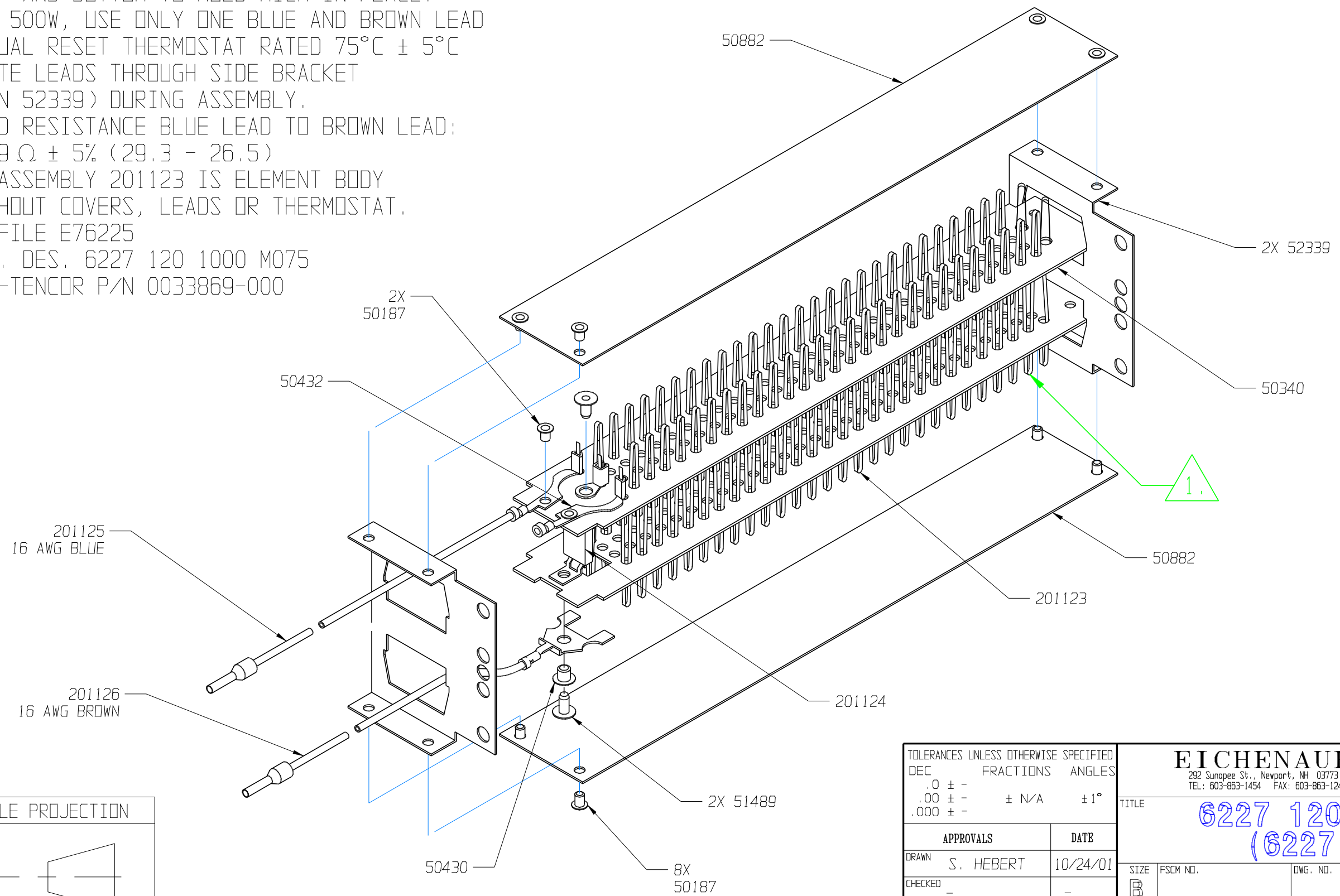
THIS DOCUMENT AND THE DATA DISCLOSED HEREIN OR HERewith IS NOT TO BE REPRODUCED, USED, OR DISCLOSED IN WHOLE OR IN PART TO ANYONE WITHOUT THE PERMISSION OF HARTFORD EICHENAUER, INC.


5 REVISED 52341 PER ECN 002-07 01/30/07 SJH

REVISIONS			
LTR/NO	DESCRIPTION	DATE	APPROVED
1	PRODUCTION RELEASE	10/24/01	SJH
2	REM'D 1 BLUE LEAD & ADDED CUST #	01/13/02	SJH
3	REVISED PER ECN 041-03	08/11/03	SJH
4	REVISED PER ECN 010-06	06/26/06	SJH

NOTES:

1.  SPREAD 6 - 8 NEEDLES ALONG ELEMENT TOP AND BOTTOM TO HOLD MICA IN PLACE.
2. FOR 500W, USE ONLY ONE BLUE AND BROWN LEAD
3. MANUAL RESET THERMOSTAT RATED 75°C ± 5°C
4. ROUTE LEADS THROUGH SIDE BRACKET (P/N 52339) DURING ASSEMBLY.
5. COLD RESISTANCE BLUE LEAD TO BROWN LEAD: 27.9 Ω ± 5% (29.3 - 26.5)
6. SUBASSEMBLY 201123 IS ELEMENT BODY WITHOUT COVERS, LEADS OR THERMOSTAT.
7. UL FILE E76225
CAT. DES. 6227 120 1000 M075
8. KLA-TENCOR P/N 0033869-000

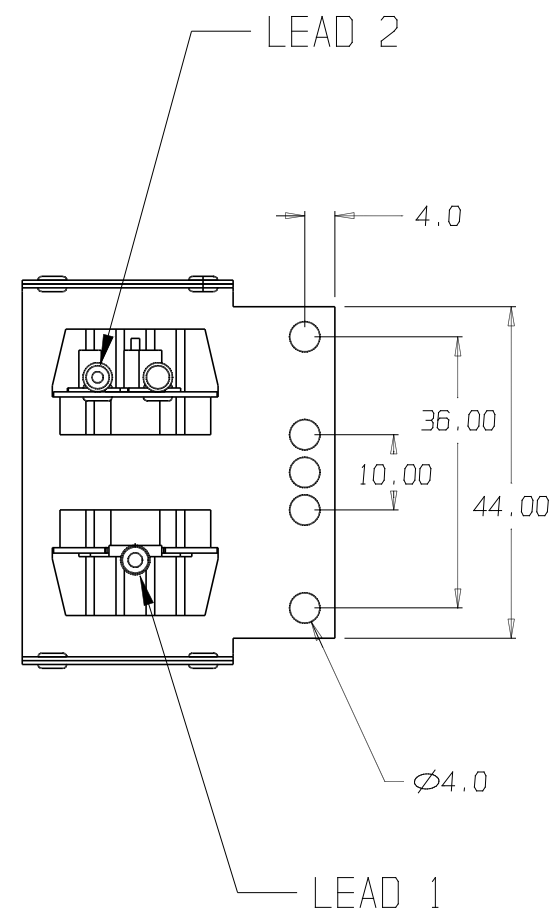
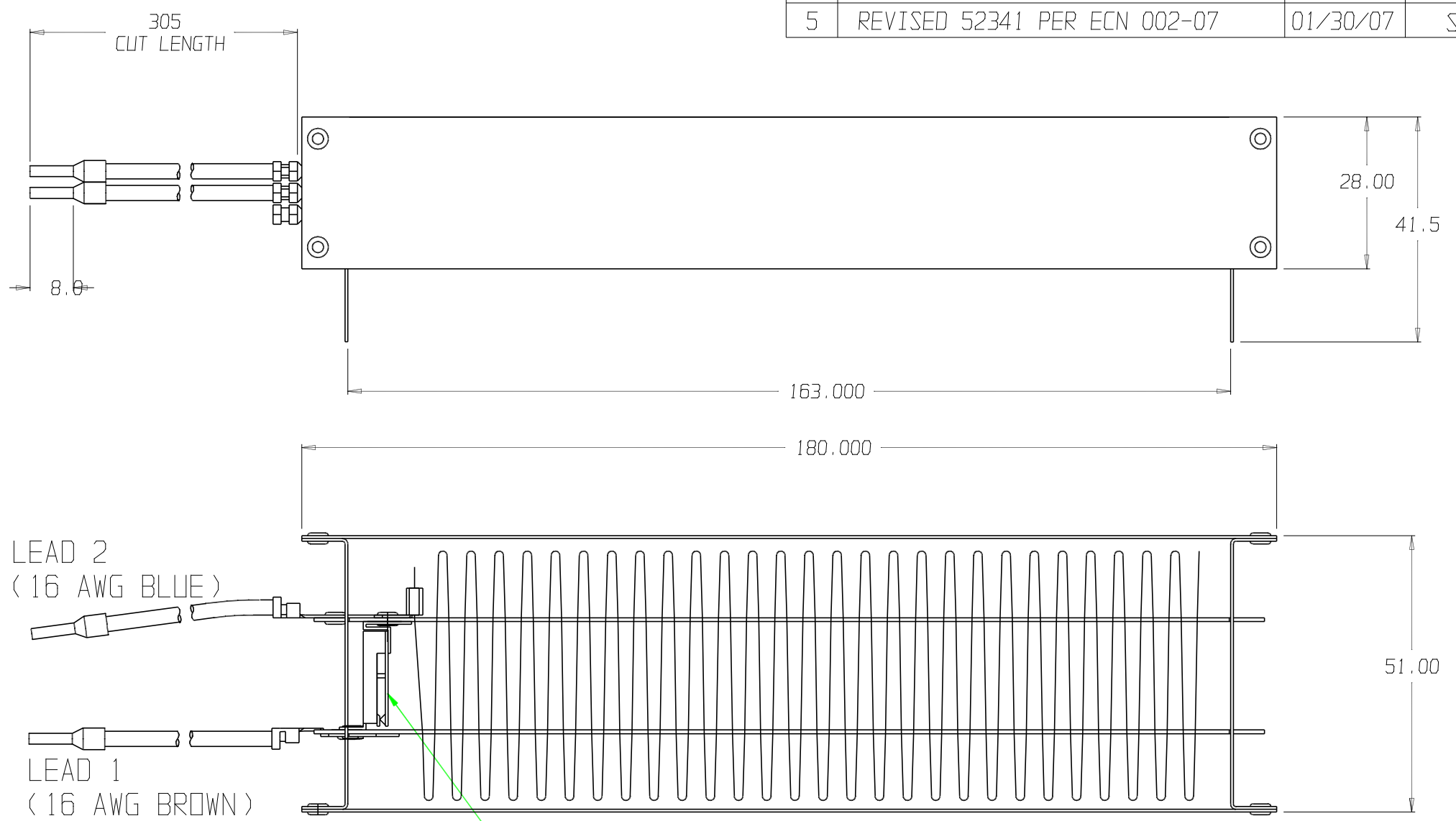


TOLERANCES UNLESS OTHERWISE SPECIFIED		EICHENAUER INC. 292 Sunapee St., Newport, NH 03773 TEL: 603-863-1454 FAX: 603-863-1248			
DEC	FRACTIONS				ANGLES
.0 ± -					
.00 ± -	± N/A	± 1°			
.000 ± -					
APPROVALS DRAWN S. HEBERT CHECKED -		DATE 10/24/01		TITLE 6227 120V 500W (6227-C01)	
		SIZE B	FSCM NO.	DWG. NO. 300426	REV. 5
		SCALE 1:1		SHEET 1 of 2	

THIS DOCUMENT AND THE DATA DISCLOSED HEREIN OR HERewith IS NOT TO BE REPRODUCED, USED, OR DISCLOSED IN WHOLE OR IN PART TO ANYONE WITHOUT THE PERMISSION OF HARTFORD EICHENAUER, INC.

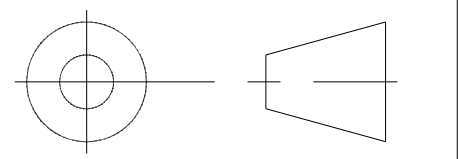
REVISIONS			
LTR/NO	DESCRIPTION	DATE	APPROVED
1	PRODUCTION RELEASE	10/24/01	SJH
2	REM'D 1 BLUE LEAD & ADDED CUST #	01/13/02	SJH
3	REVISED PER ECN 041-03	08/11/03	SJH
4	REVISED PER ECN 010-06	06/26/06	SJH
5	REVISED 52341 PER ECN 002-07	01/30/07	SJH


- NOTES:
- ALL DIMENSIONS ARE MM
 - COLD RESISTANCE:
LEAD 2 / LEAD 1 =
 $27.9 \Omega \pm 5\% (29.3 - 26.5)$
 - △ THERMOSTAT IS RATED FOR
 $75^{\circ}\text{C} \pm 5^{\circ}\text{C}$.
 - ALL LEADS ARE UL1015 16 AWG
LEAD WIRE RATED FOR 105°C 600V
 - KLA-TENCOR P/N 0033869-000



△ 3

THIRD ANGLE PROJECTION



TOLERANCES UNLESS OTHERWISE SPECIFIED DEC FRACTIONS ANGLES .0 ± - .00 ± - ± N/A ± 1° .000 ± -		EICHENAUER INC. 292 Sunapee St., Newport, NH 03773 TEL: 603-863-1454 FAX: 603-863-1248			
APPROVALS DRAWN S. HEBERT 10/24/01 CHECKED - -					
SCALE 1:1		SIZE B	FSCM NO.	DWG. NO. 300426	REV. 5
SHEET 2 of 2					