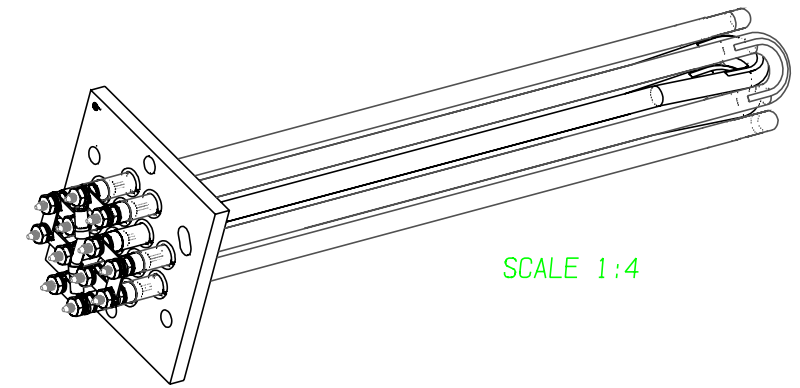


THIS DOCUMENT AND THE DATA DISCLOSED HEREIN OR HERewith IS NOT TO BE REPRODUCED, USED, OR DISCLOSED IN WHOLE OR IN PART TO ANYONE WITHOUT THE PERMISSION OF EICHENAUER, INC.

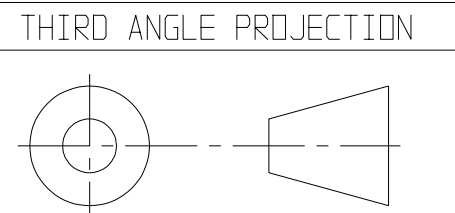
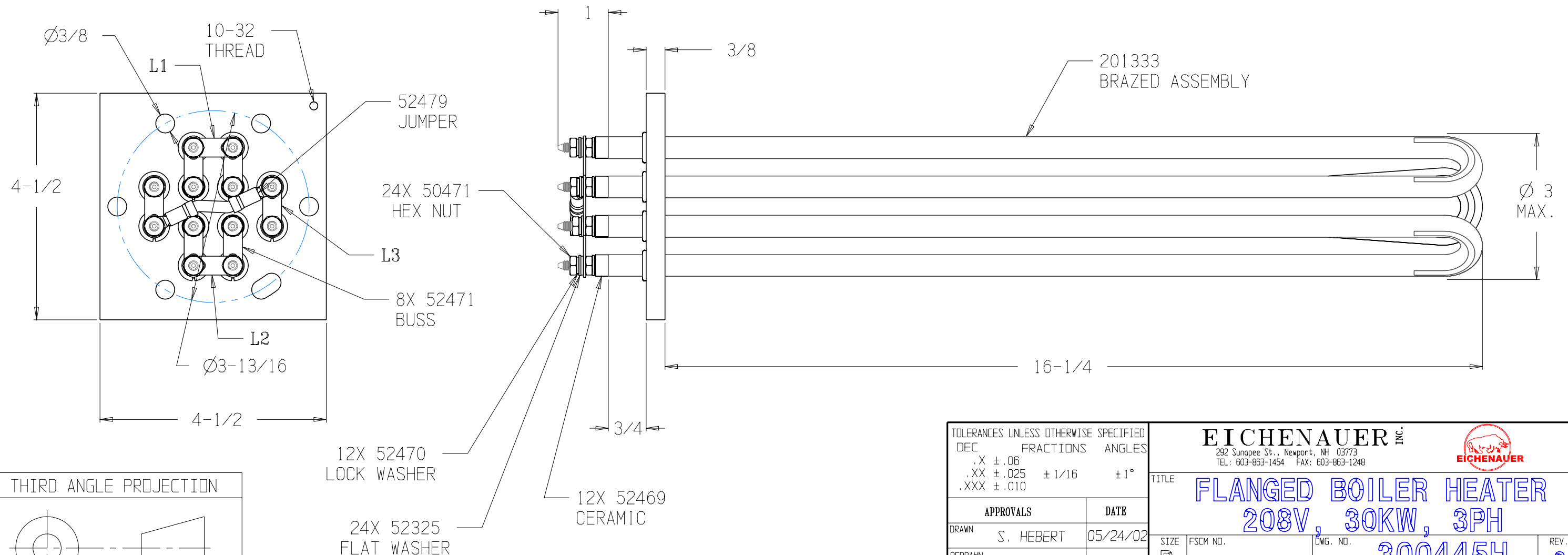
REVISIONS			
LTR/NO	DESCRIPTION	DATE	APPROVED
1	PRODUCTION RELEASE (WAS P1069A)	09/04/02	SJH
2	REVISED & REDRAWN PER ECN 005-07	02/08/07	SJH
3	HARDWARE REVISED PER ECN 015-11	6/24/11	SJH

NOTES:

1. DIMENSIONS IN INCHES
2. FLANGE MATERIAL: MILD STEEL
3. SHEATH MATERIAL: 1.4571
4. GASKET 52322 NOT SHOWN
5. TERMINAL PINS: 10-32 WITH NUTS & WASHERS AS SHOWN. TOP NUTS TIGHTENED TO 30 IN-LBS TORQUE
6. COLD RESISTANCE: $8.5 \Omega \pm 10\% / -5\%$ (8.1 - 9.3) PER TUBE
7. COLD RESISTANCE: $2.8 \Omega \pm 10\% / -5\%$ (2.7 - 3.1) AS ASSEMBLED L1-L2-L3
8. SHEATH WATT DENSITY: 121 W/IN²
9. UL FILE: E76225 MODEL: 2202
10. WIRING DIAGRAM: WDG-002



SCALE 1:4



TOLERANCES UNLESS OTHERWISE SPECIFIED		EICHENAUER INC. 292 Sunapee St., Newport, NH 03773 TEL: 603-863-1454 FAX: 603-863-1248		EICHENAUER	
DEC	FRACTIONS	ANGLES	TITLE FLANGED BOILER HEATER 208V, 30KW, 3PH		
.X ± .06		± 1°	SIZE	FSCM NO.	DWG. NO.
.XX ± .025	± 1/16		B		300445H
.XXX ± .010			SCALE	SHEET	REV.
APPROVALS		DATE	1:1	1 of 1	3
DRAWN	S. HEBERT	05/24/02			
REDRAWN					