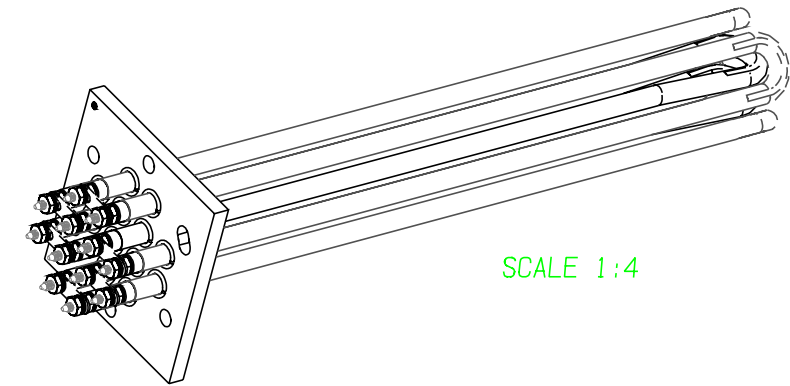


THIS DOCUMENT AND THE DATA DISCLOSED HEREIN OR HEREWITH IS NOT TO BE REPRODUCED, USED, OR DISCLOSED IN WHOLE OR IN PART TO ANYONE WITHOUT THE PERMISSION OF EICHENAUER, INC.

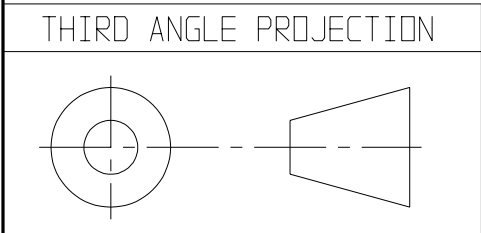
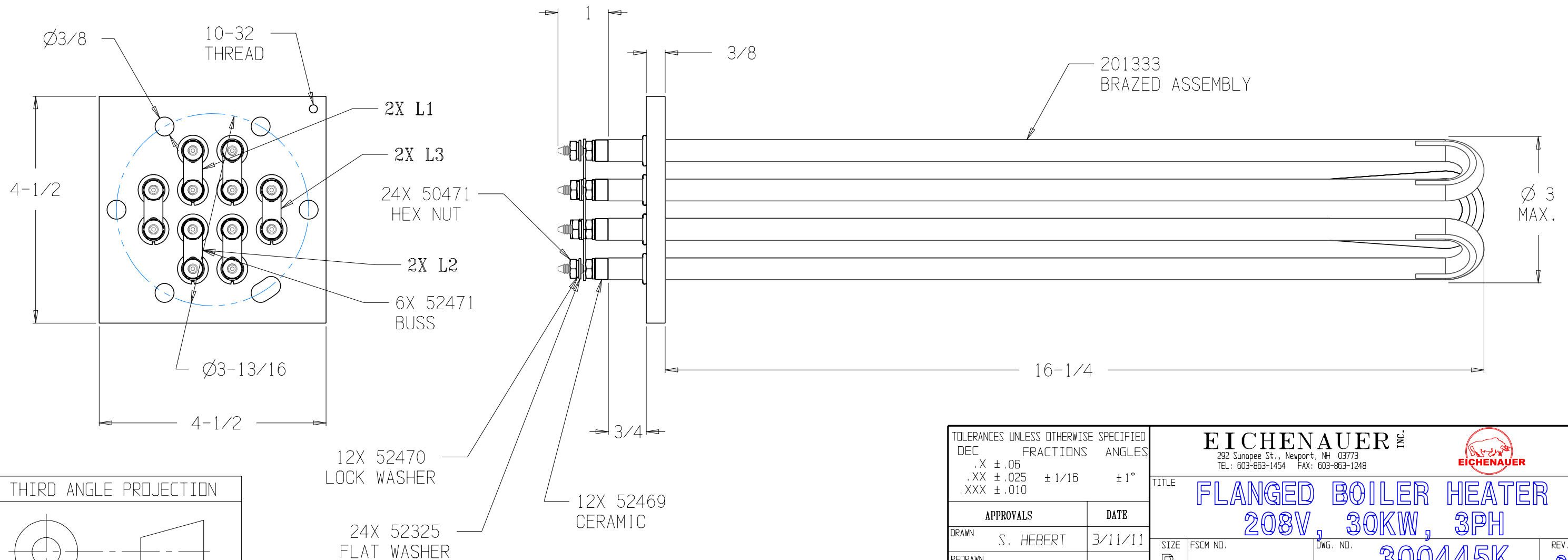
REVISIONS			
LTR/NO	DESCRIPTION	DATE	APPROVED
1	PRODUCTION RELEASE	3/11/11	SJH
2	REVISED PER ECN 010-13	1/07/14	SJH

NOTES:

1. DIMENSIONS IN INCHES
2. FLANGE MATERIAL: STEEL
3. SHEATH MATERIAL: STAINLESS STEEL
4. GASKET 52322 NOT SHOWN
5. TERMINAL PINS: #10-32 WITH NUTS & WASHERS AS SHOWN. TOP NUTS TIGHTENED TO 25 IN-LBS TORQUE
6. COLD RESISTANCE: $8.5\Omega \pm 10\%/-5\%$ (8.1 - 9.3) PER TUBE
7. COLD RESISTANCE: $5.7\Omega \pm 10\%/-5\%$ (5.4 - 6.2) AS ASSEMBLED L1-L2-L3
8. SHEATH WATT DENSITY: 121 W/IN²
9. UL FILE: E76225 MODEL: 950-30-11
10. WIRING DIAGRAM: WDG-002



SCALE 1:4



TOLERANCES UNLESS OTHERWISE SPECIFIED		EICHENAUER INC. 292 Sunapee St., Newport, NH 03773 TEL: 603-863-1454 FAX: 603-863-1248		
DEC	FRACTIONS ANGLES			
.X ± .06		± 1°	FLANGED BOILER HEATER 208V, 30KW, 3PH 300445K	
.XX ± .025	± 1/16			
.XXX ± .010			TITLE SIZE B SCALE 1:1	FSCM NO. DWG. NO. SHEET 1 of 1
APPROVALS	DATE	REV.		
DRAWN S. HEBERT	3/11/11	2		
REDRAWN				