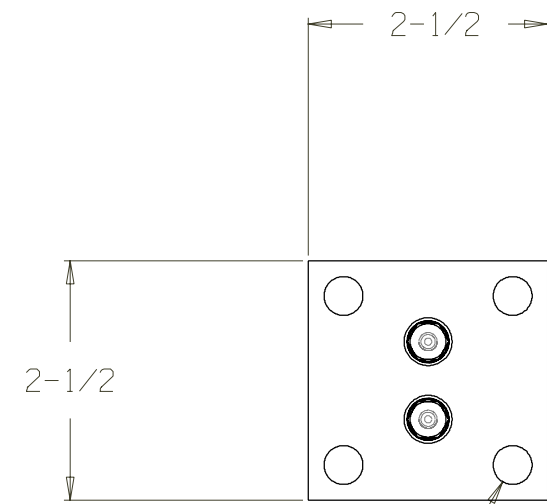


THIS DOCUMENT AND THE DATA DISCLOSED HEREIN OR HEREWITH IS NOT TO BE REPRODUCED, USED, OR DISCLOSED IN WHOLE OR IN PART TO ANYONE WITHOUT THE PERMISSION OF EICHENAUER, INC.

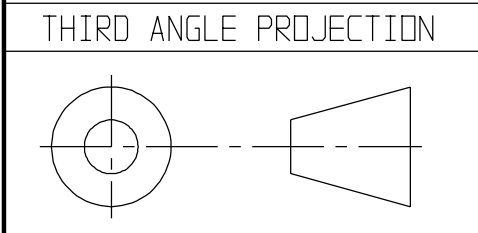
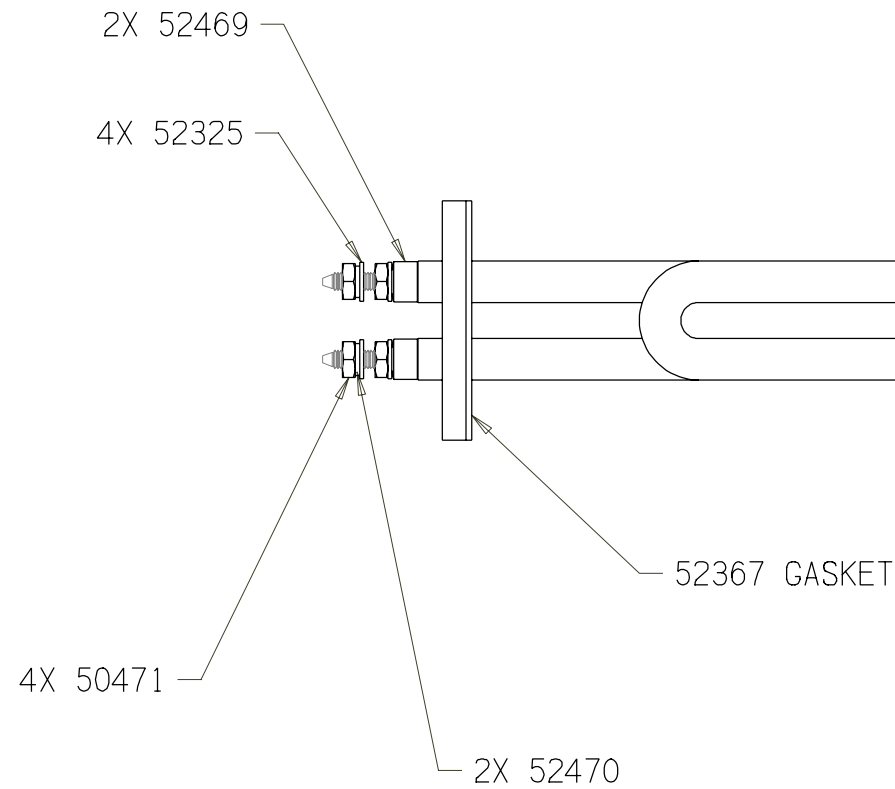
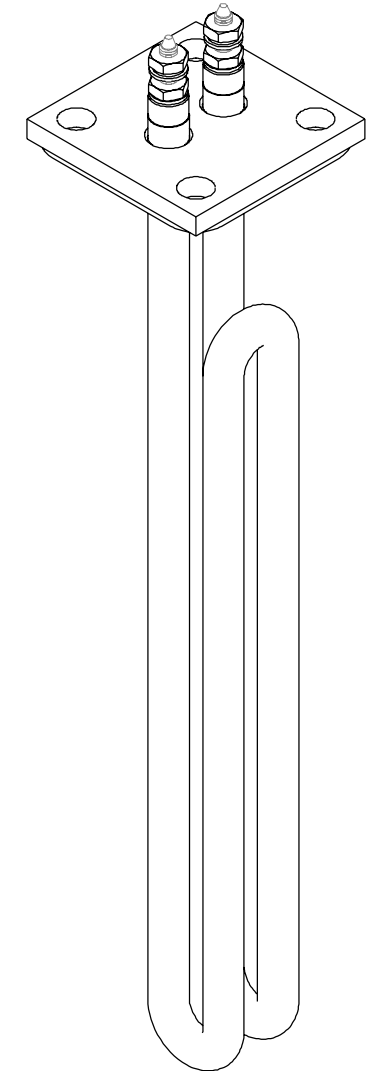
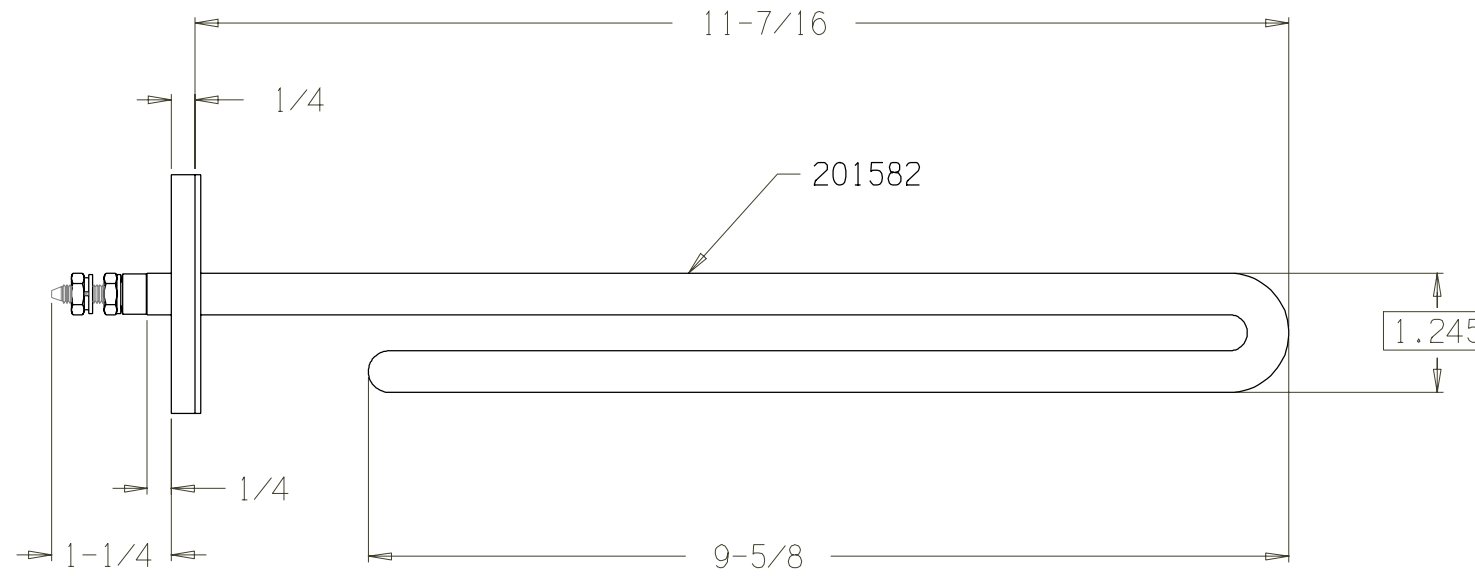
REVISIONS			
LTR/NO	DESCRIPTION	DATE	APPROVED
1	PRODUCTION RELEASE (WAS P1066C)	04/10/03	SJH
2	REVISED PER ECN 009-17	04/06/17	MN

NOTES:

1. DIMENSIONS IN INCHES
2. FLANGE MATERIAL: STEEL
3. TUBE MATERIAL: 1.4571
4. TERMINAL PINS: #10-32 WITH NUTS & WASHERS AS SHOWN.
5. COLD RESISTANCE: $34.8\Omega \pm 10\%/-5\%$ (38.2 - 33.1)
6. SHEATH WATT DENSITY: 123 W/IN²
7. UL FILE E76225, MODEL: 950-30-11



4X \varnothing .406 EQUALLY SPACED ON 2.50 B.C. DIAMETER



TOLERANCES UNLESS OTHERWISE SPECIFIED		EICHENAUER INC. 292 Sunapee St., Newport, NH 03773 TEL: 603-863-1454 FAX: 603-863-1248			
DEC	FRACTIONS ANGLES				
.X	$\pm .06$	TITLE: FLANGED IMMERSION HEATER 480V, 6.5KW 300464H			
.XX	$\pm .025 \pm 1/16 \pm 1^\circ$				
.XXX	$\pm .010$				
APPROVALS		DATE		SIZE	FSCM NO.
DRAWN S. HEBERT		04/10/03		B	
CHECKED				DWG. NO.	REV.
				300464H	2
SCALE 1:2				SHEET 1 of 1	