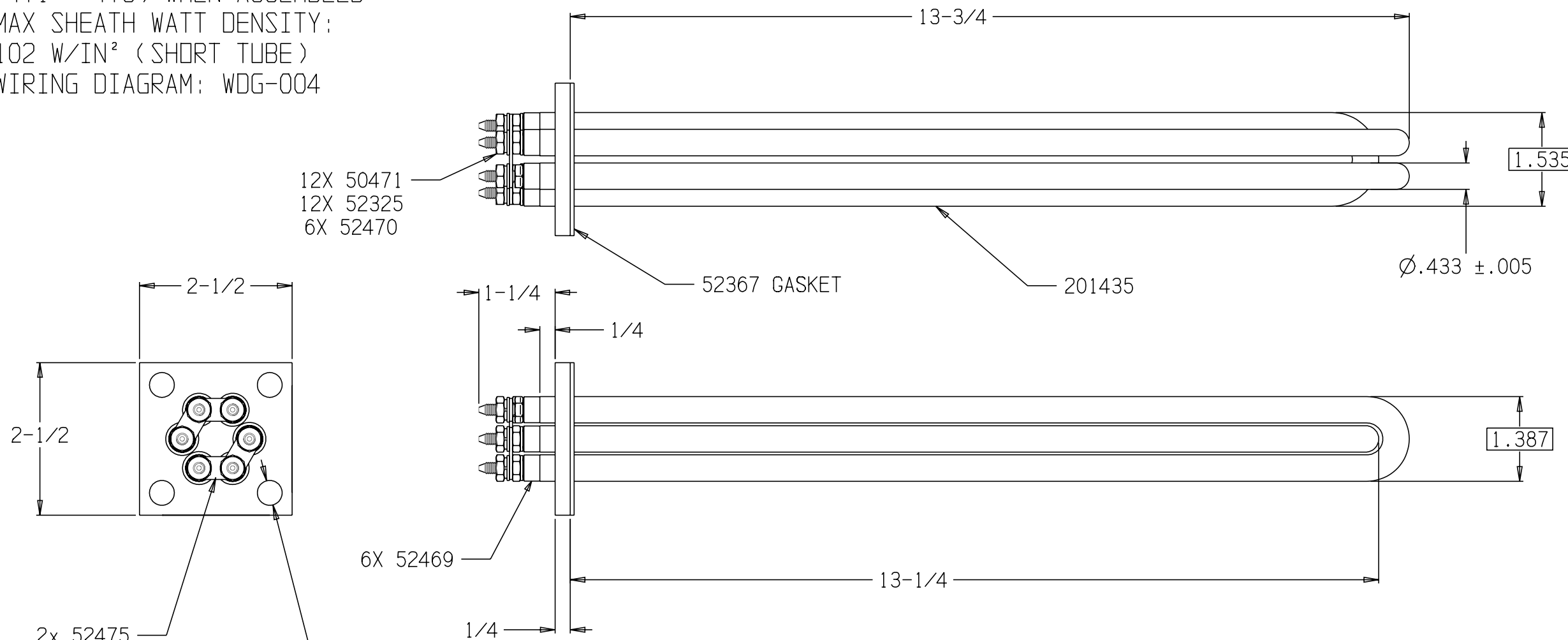
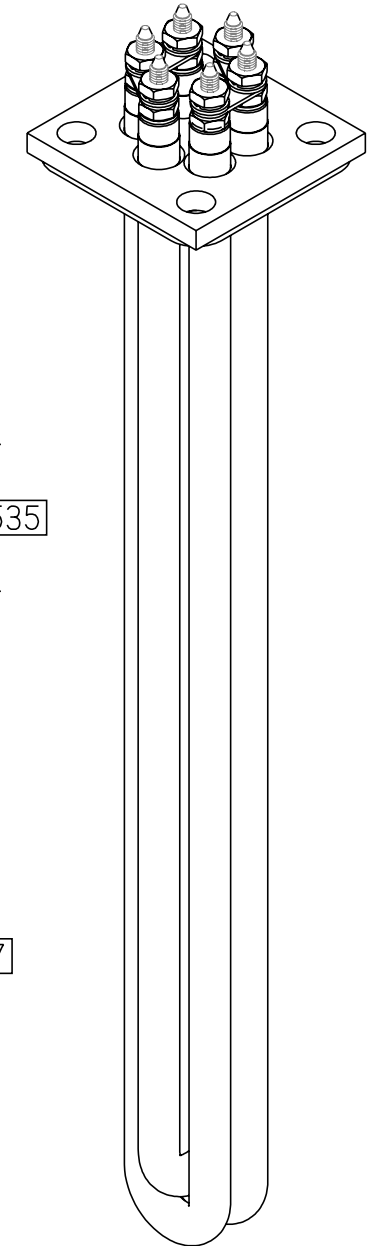


THIS DOCUMENT AND THE DATA DISCLOSED HEREIN OR HEREWITH IS NOT TO BE REPRODUCED, USED, OR DISCLOSED IN WHOLE OR IN PART TO ANYONE WITHOUT THE PERMISSION OF EICHENAUER, INC.

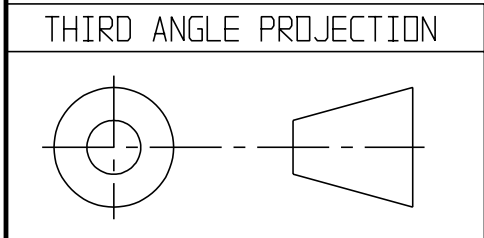
REVISIONS			
LTR/NO	DESCRIPTION	DATE	APPROVED
1	PRODUCTION RELEASE	6/12/06	SJH
2	REVISED PER ECN 031-10	4/10/10	SJH
3	UL # REVISED PER ECN 010-13	6/18/13	SJH

NOTES:

1. DIMENSIONS IN INCHES
2. FLANGE MATERIAL: STEEL
3. TUBE MATERIAL: STAINLESS STEEL
4. TERMINAL PINS: 10-32 WITH NUTS & WASHERS AS SHOWN. TOP NUTS TIGHTENED TO 25 IN-LBS TORQUE
5. COLD RESISTANCE: $13.1\Omega \pm 10\%/-5\%$ (12.4 - 14.4) PER TUBE
6. BUSS TO BUSS RESISTANCE: $4.4\Omega \pm 10\%/-5\%$ (4.1 - 4.8) WHEN ASSEMBLED
7. MAX SHEATH WATT DENSITY: 102 W/IN² (SHORT TUBE)
8. WIRING DIAGRAM: WDG-004



4X $\phi .406$ EQUALLY SPACED ON 2.50 B.C. DIA



TOLERANCES UNLESS OTHERWISE SPECIFIED		EICHENAUER INC.			
DEC	FRACTIONS	ANGLES	292 Sunapee St., Newport, NH 03773 TEL: 603-863-1454 FAX: 603-863-1248		
.X $\pm .06$			TITLE FLANGED IMMERSION HTR		
.XX $\pm .025$	$\pm 1/16$	$\pm 1^\circ$	208V, 9.75KW, 1PH		
.XXX $\pm .010$			SIZE B	FSCM NO.	REV. 3
APPROVALS		DATE	DWG. NO. 300465J	SHEET 1 of 1	
DRAWN S. HEBERT		6/12/06			
CHECKED					
SCALE 1:2					