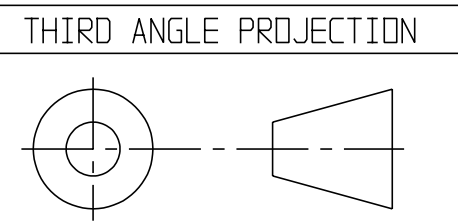
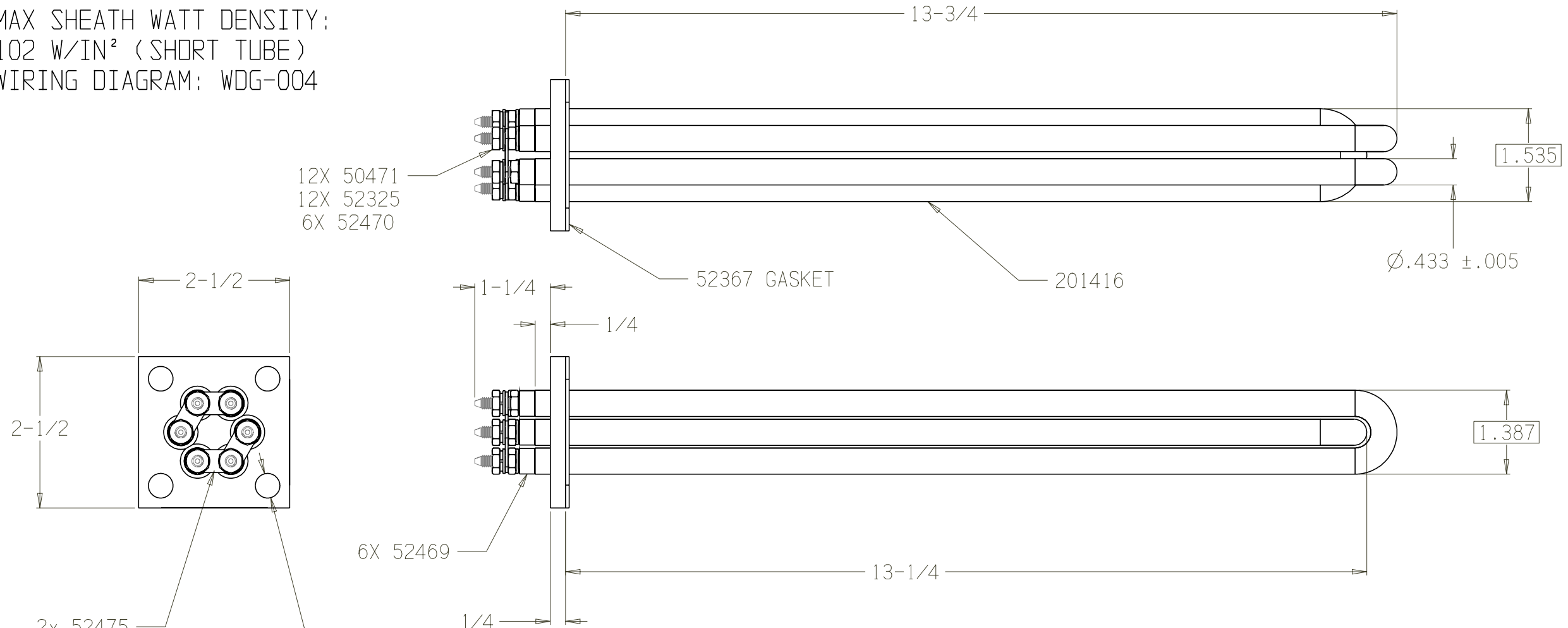
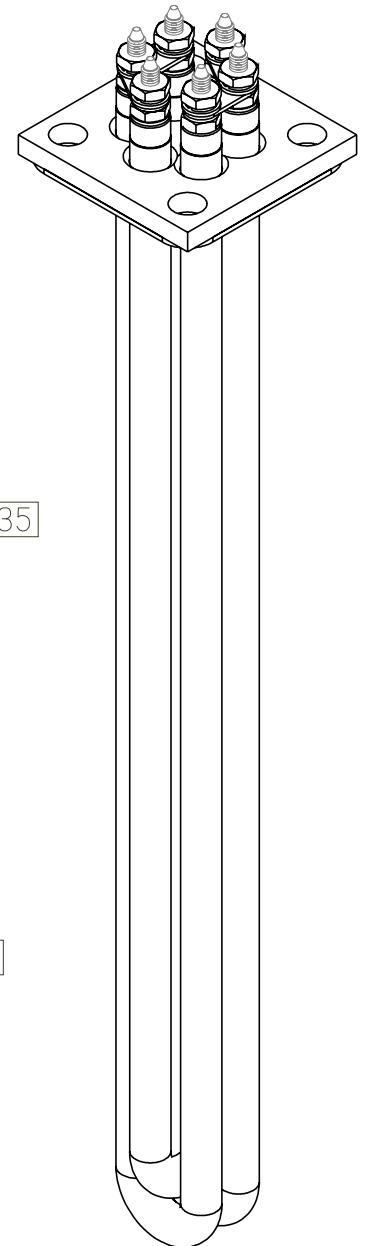


THIS DOCUMENT AND THE DATA DISCLOSED HEREIN OR HEREWITH IS NOT TO BE REPRODUCED, USED, OR DISCLOSED IN WHOLE OR IN PART TO ANYONE WITHOUT THE PERMISSION OF EICHENAUER, INC.

REVISIONS			
LTR/NO	DESCRIPTION	DATE	APPROVED
1	PRODUCTION RELEASE (WAS P1067C)	9/13/04	SJH
2	REVISED PER ECN 017-10	4/01/10	SJH
3	UL # REVISED PER ECN 010-13	6/18/13	SJH
4	UL # REMOVED PER ECN 011-18	3/02/18	SJH

NOTES:

1. DIMENSIONS IN INCHES
2. FLANGE MATERIAL: STEEL
3. TUBE MATERIAL: STAINLESS STEEL
4. TERMINAL PINS: 10-32 WITH NUTS & WASHERS AS SHOWN
TOP NUTS TIGHTENED TO 25 IN-LBS TORQUE
5. COLD RESISTANCE: $69.5 \Omega +10\%/-5\%$
(76.5 - 66.2) PER TUBE
6. BUSS TO BUSS RESISTANCE: $23.2 \Omega +10\%/-5\%$
(22.1 - 25.5) WHEN ASSEMBLED
7. MAX SHEATH WATT DENSITY:
102 W/IN² (SHORT TUBE)
8. WIRING DIAGRAM: WDG-004



TOLERANCES UNLESS OTHERWISE SPECIFIED		EICHENAUER INC. 292 Sunapee St., Newport, NH 03773 TEL: 603-863-1454 FAX: 603-863-1248		
DEC	FRACTIONS ANGLES			
.X ±.06			FLANGED IMMERSION HTR 480V, 9.75KW, 1PH	
.XX ±.025 ±1/16	±1°			
.XXX ±.010			TITLE 300467J	REV. 4
APPROVALS	DATE	SIZE	FSCM NO.	DWG. NO.
DRAWN S. HEBERT	9/13/04	B		
CHECKED		SCALE	1:2	SHEET
				1 of 1