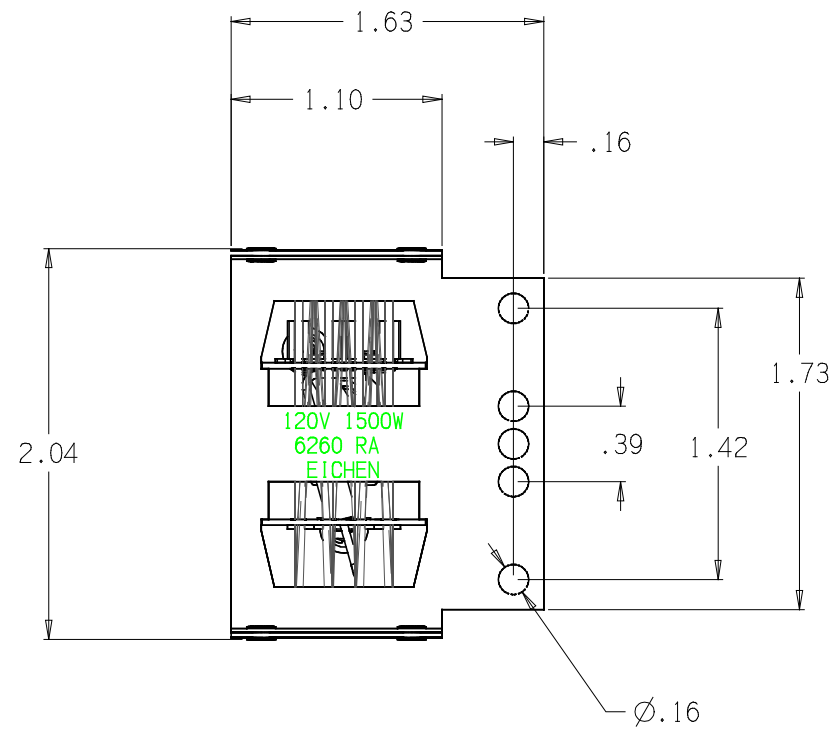


THIS DOCUMENT AND THE DATA DISCLOSED HEREIN OR HERewith IS NOT TO BE REPRODUCED, USED, OR DISCLOSED IN WHOLE OR IN PART TO ANYONE WITHOUT THE PERMISSION OF HARTFORD EICHENAUER, INC.

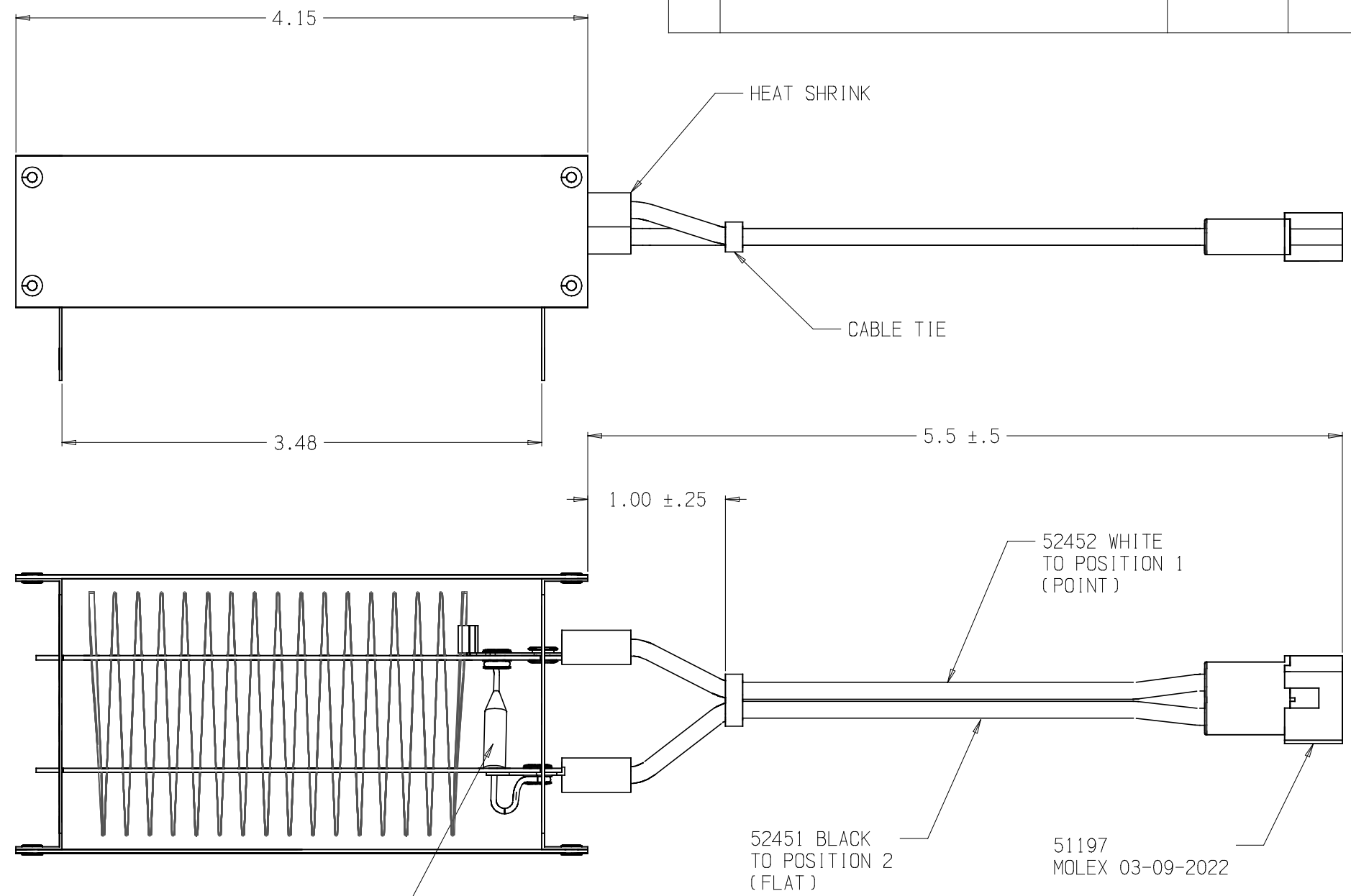
REVISIONS			
LTR/NO	DESCRIPTION	DATE	APPROVED
D	RELEASED FOR APPROVAL	01/23/04	SJH
1	PRODUCTION RELEASE (WAS P1139)	02/26/04	SJH
2	REVISED PER ECN 010-04	04/23/04	SJH

NOTES:

1. DIMENSIONS IN INCHES
2. UL FILE E76225
CAT. DES. 6260 120 1500 M109
3. COLD RESISTANCE: $9.3\Omega \pm 10\% / -0\%$
(9.3 - 10.3)
2. PVC HEAT SHRINK RATED 105°C
3. UL1015 LEAD WIRES RATED 105°C
WITH MOLEX 02-09-2611 TERMINALS

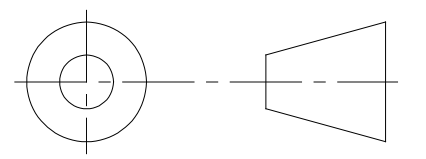


120V 1500W
6260 RA
EICHEN



MICROTEMP G4
 109°C

THIRD ANGLE PROJECTION



TOLERANCES UNLESS OTHERWISE SPECIFIED		HARTFORD EICHENAUER		292 Sunapee St., Newport, NH 03773	
DEC	FRACTIONS	ANGLES	TEL: 603-863-1454 FAX: 603-863-1248		
.0 ± .06		± 1°	TITLE 6260 120V 1500W (6260 - C01)		
.00 ± .025	± 1/16				
.000 ± .010			SIZE	FSCM NO.	DWG. NO.
APPROVALS		DATE	B		300483
DRAWN	S. HEBERT	01/23/04	SCALE	1:1	SHEET
CHECKED	-	-			1 of 1
			REV.		2

