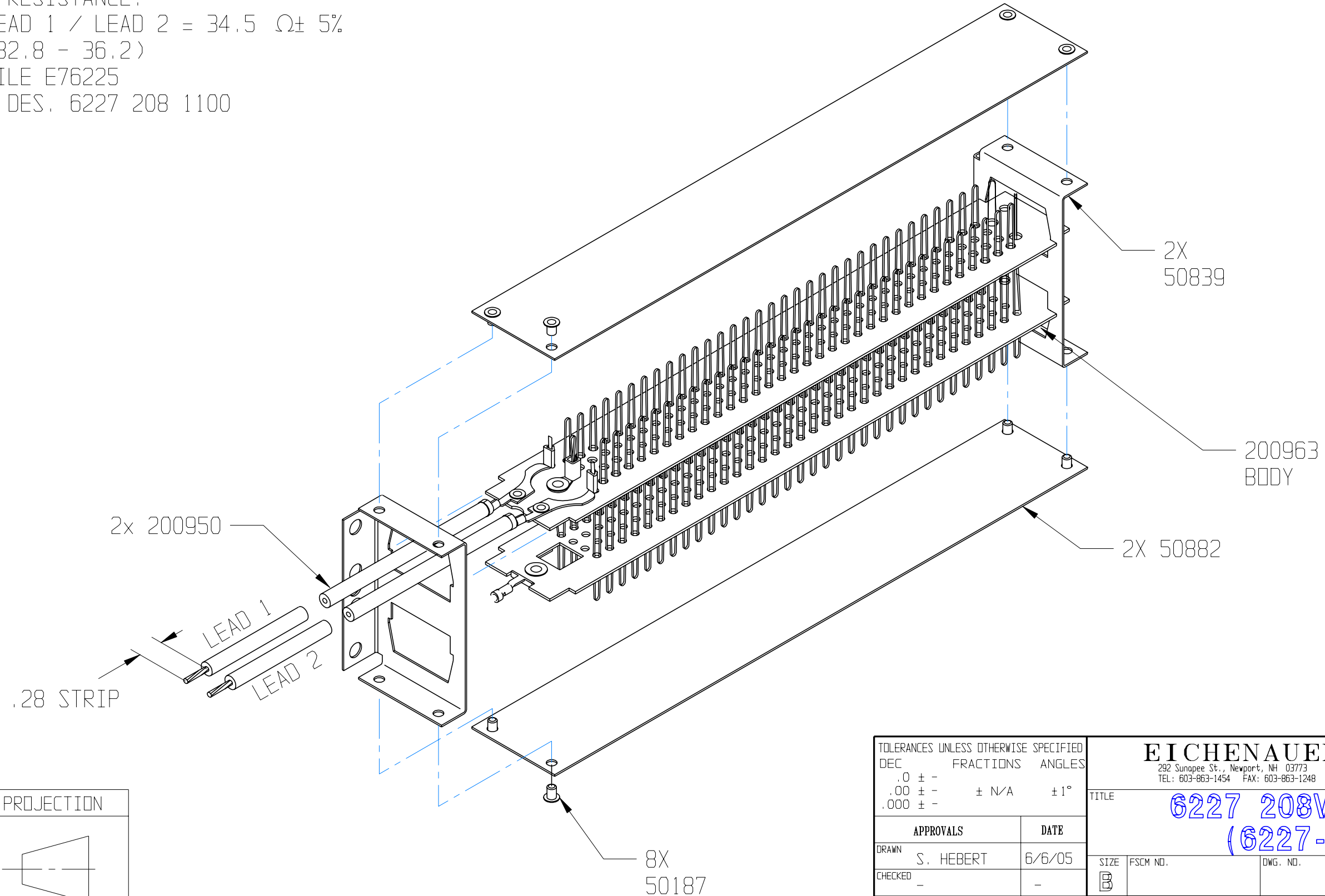


THIS DOCUMENT AND THE DATA DISCLOSED HEREIN OR HEREWITH IS NOT TO BE REPRODUCED, USED, OR DISCLOSED IN WHOLE OR IN PART TO ANYONE WITHOUT THE PERMISSION OF HARTFORD EICHENAUER, INC.

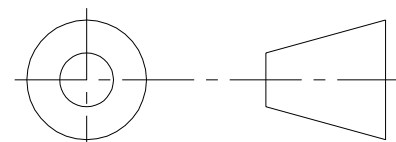
| REVISIONS | | | |
|-----------|---------------------------------|---------|----------|
| LTR/NO | DESCRIPTION | DATE | APPROVED |
| 1 | PRODUCTION RELEASE | 6/6/05 | SJH |
| 2 | ASSEMBLY REVISED PER ECN 010-06 | 9/18/06 | SJH |
| | | | |
| | | | |

NOTES:

- DIMENSIONS IN INCHES
- COLD RESISTANCE:
LEAD 1 / LEAD 2 = $34.5 \Omega \pm 5\%$
(32.8 - 36.2)
- UL FILE E76225
CAT. DES. 6227 208 1100



THIRD ANGLE PROJECTION



| | |
|---------------------------------------|------------------|
| TOLERANCES UNLESS OTHERWISE SPECIFIED | |
| DEC | FRACTIONS ANGLES |
| .0 ± - | |
| .00 ± - | ± N/A ± 1° |
| .000 ± - | |
| APPROVALS | DATE |
| DRAWN S. HEBERT | 6/6/05 |
| CHECKED - | - |

EICHENAUER INC.
292 Sunapee St., Newport, NH 03773
TEL: 603-863-1454 FAX: 603-863-1248



6227 208V 1100W
(6227-A02)

| | | | |
|-----------|----------|-----------------|--------|
| SIZE B | FSCM NO. | DWG. NO. 300512 | REV. 2 |
| SCALE 1:1 | | SHEET 1 of 1 | |