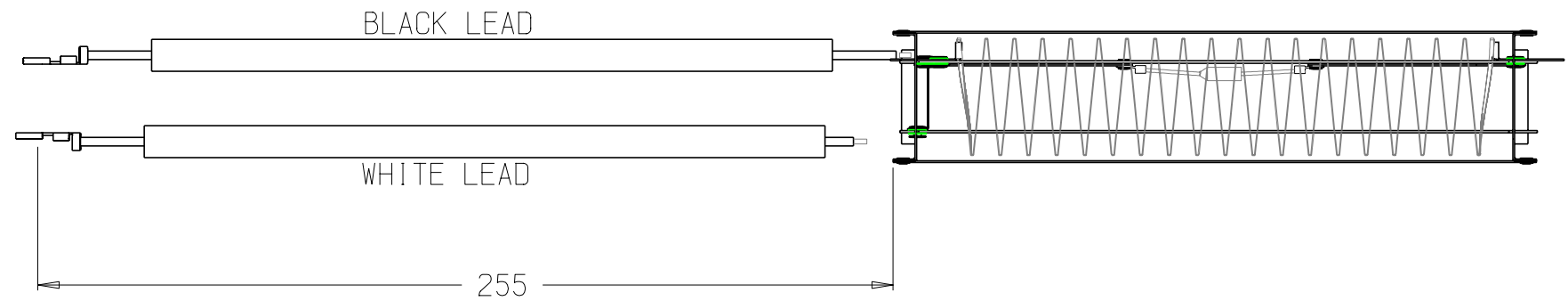
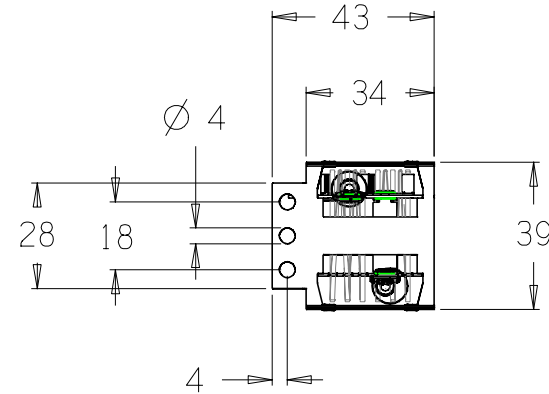
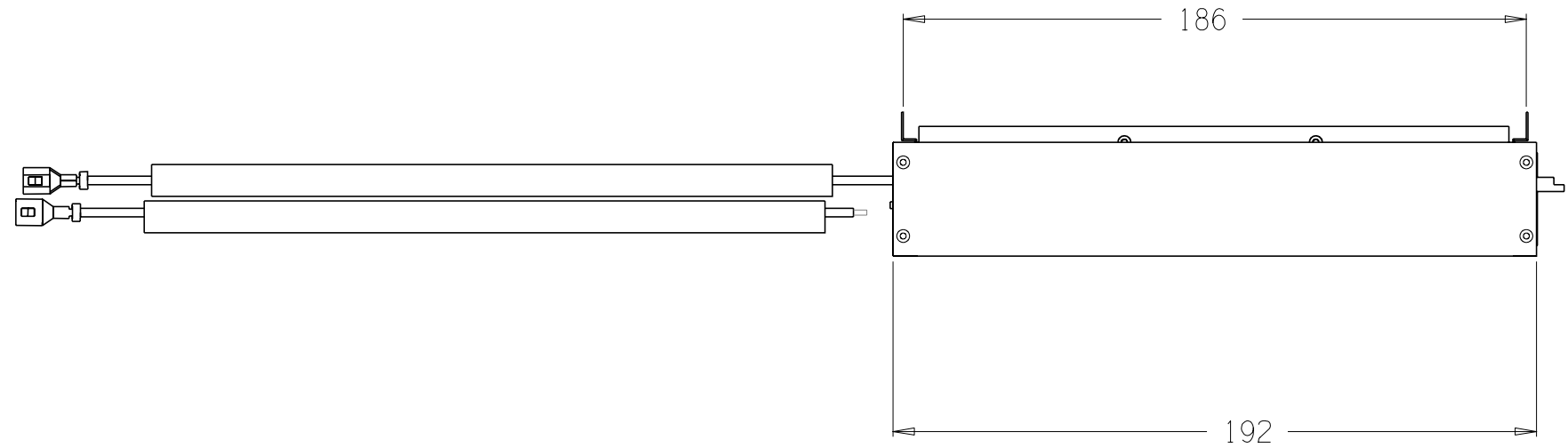


THIS DOCUMENT AND THE DATA DISCLOSED HEREIN OR HEREWITH IS NOT TO BE REPRODUCED, USED, OR DISCLOSED IN WHOLE OR IN PART TO ANYONE WITHOUT THE PERMISSION OF HARTFORD EICHENAUER, INC.

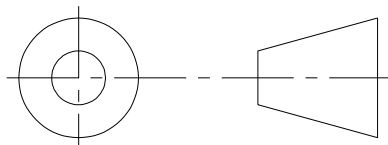
REVISIONS			
LTR/NO	DESCRIPTION	DATE	APPROVED
1	PRODUCTION RELEASE	09/07/05	RAN
2	AS-BUILT	03/05/08	RAN
3	Q/C TERMINALS AND SLEEVES	07/15/08	RAN
4	T' STAT REMOVED PER ECN 001-11	1/17/11	SJH

NOTES:

1. DIMENSIONS IN MM
2. COLD RESISTANCE:  
8.9Ω ±5% (8.5 - 9.4)
3. LEAD WIRE: UL SF-2, 16 AWG
4. UL FILE E76225  
TYPE 6220 120 1450 M192
5. FUSE RATED 192°C
6. MARK TOP MICA COVER WITH RATING
7. THIS ELEMENT REPLACES 300499



THIRD ANGLE PROJECTION



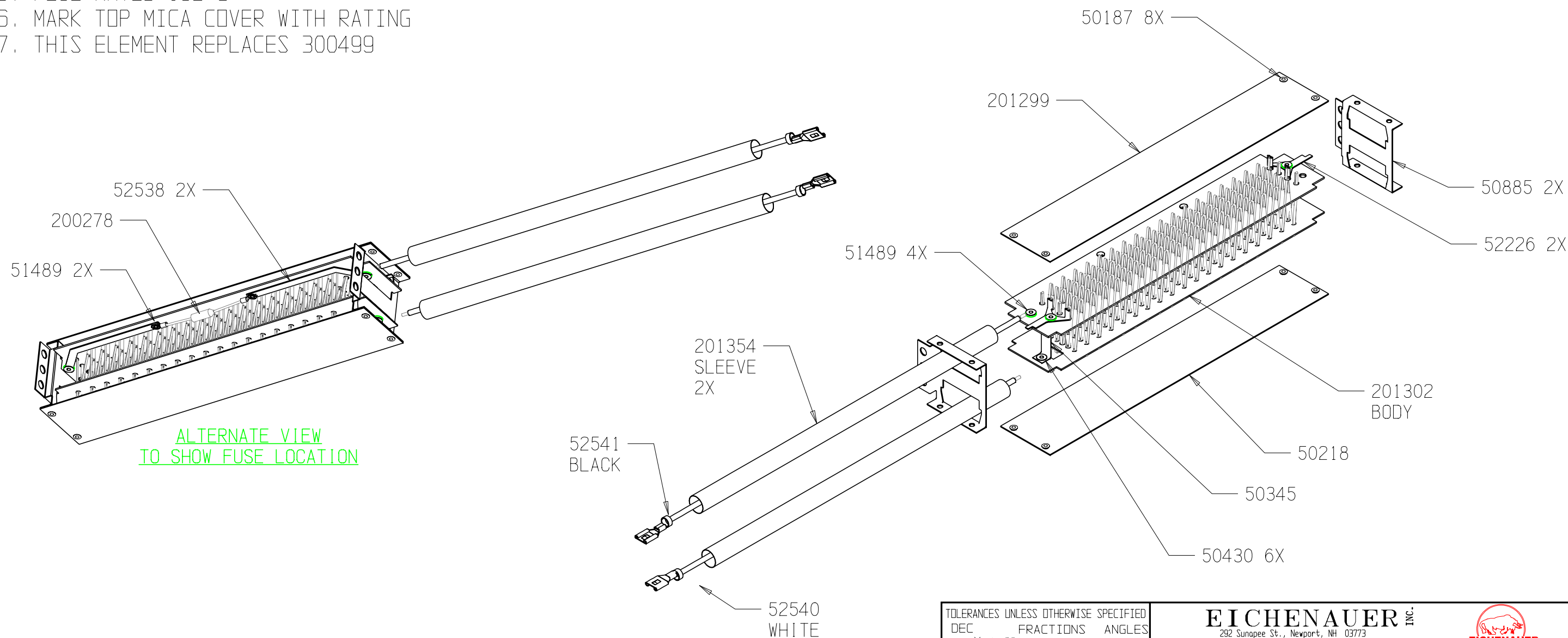
TOLERANCES UNLESS OTHERWISE SPECIFIED DEC FRACTIONS ANGLES .X ±.06 .XX ±.025 ± 1/16 ± 1° .XXX ±.010		<b>EICHENAUER INC.</b> 292 Sunapee St., Newport, NH 03773 TEL: 603-863-1454 FAX: 603-863-1248			
APPROVALS DRAWN S. HEBERT CHECKED		DATE 09/14/05		TITLE <b>6220 120V 1450W (6220-Z01)</b>	
		SIZE B	FSCM NO.	DWG. NO. 300529	REV. 4
		SCALE 1:2		SHEET 1 of 2	

THIS DOCUMENT AND THE DATA DISCLOSED HEREIN OR HERewith IS NOT TO BE REPRODUCED, USED, OR DISCLOSED IN WHOLE OR IN PART TO ANYONE WITHOUT THE PERMISSION OF HARTFORD EICHENAUER, INC.

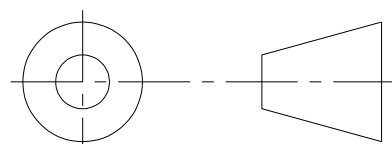
REVISIONS			
LTR/NO	DESCRIPTION	DATE	APPROVED
1	PRODUCTION RELEASE	09/07/05	RAN
2	AS-BUILT	03/05/08	RAN
3	Q/C TERMINALS AND SLEEVES	07/15/08	RAN
4	T' STAT REMOVED PER ECN 001-11	1/17/11	SJH

NOTES:

1. DIMENSIONS IN MM
2. COLD RESISTANCE:  
8.9Ω (8.5 - 9.4)
3. LEAD WIRE: UL SF-2, 16 AWG
4. UL FILE E76225  
TYPE 6220 120 1450 M192
5. FUSE RATED 192°C
6. MARK TOP MICA COVER WITH RATING
7. THIS ELEMENT REPLACES 300499



THIRD ANGLE PROJECTION



TOLERANCES UNLESS OTHERWISE SPECIFIED  
 DEC FRACTIONS ANGLES  
 .X ±.06  
 .XX ±.025 ± 1/16 ±1°  
 .XXX ±.010

**EICHENAUER INC.**  
 292 Sunapee St., Newport, NH 03773  
 TEL: 603-863-1454 FAX: 603-863-1248



**6220 120V 1450W  
 (6220-Z01)**

APPROVALS	DATE
DRAWN S. HEBERT	09/14/05
CHECKED	

SIZE	FSCM NO.	DWG. NO.	REV.
B		300529	4
SCALE 1:2		SHEET 2 of 2	