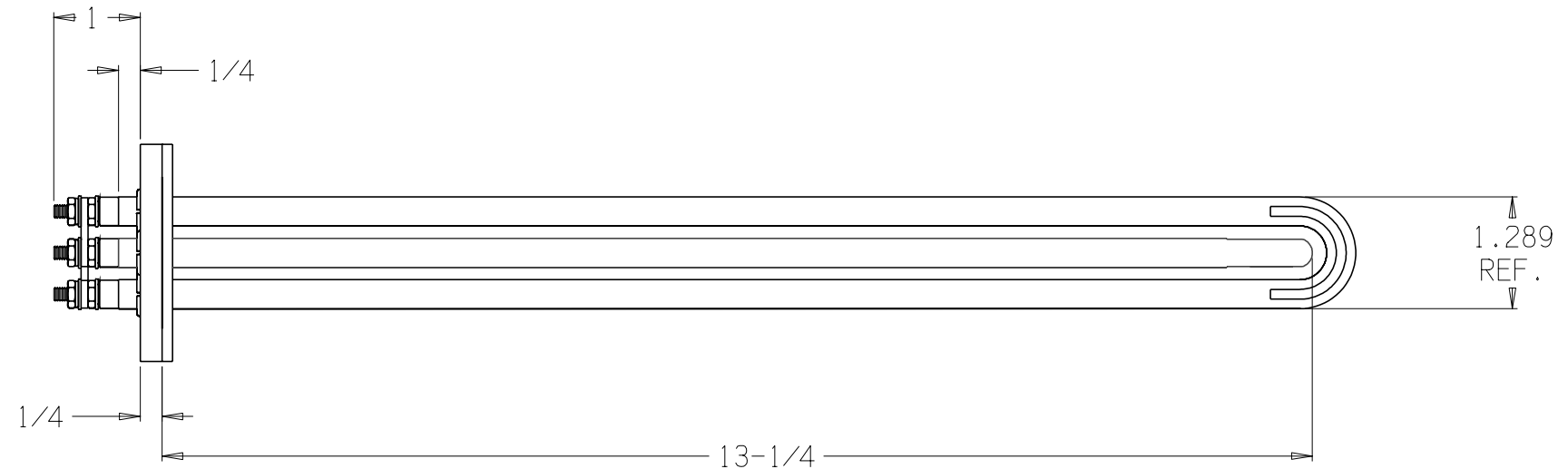
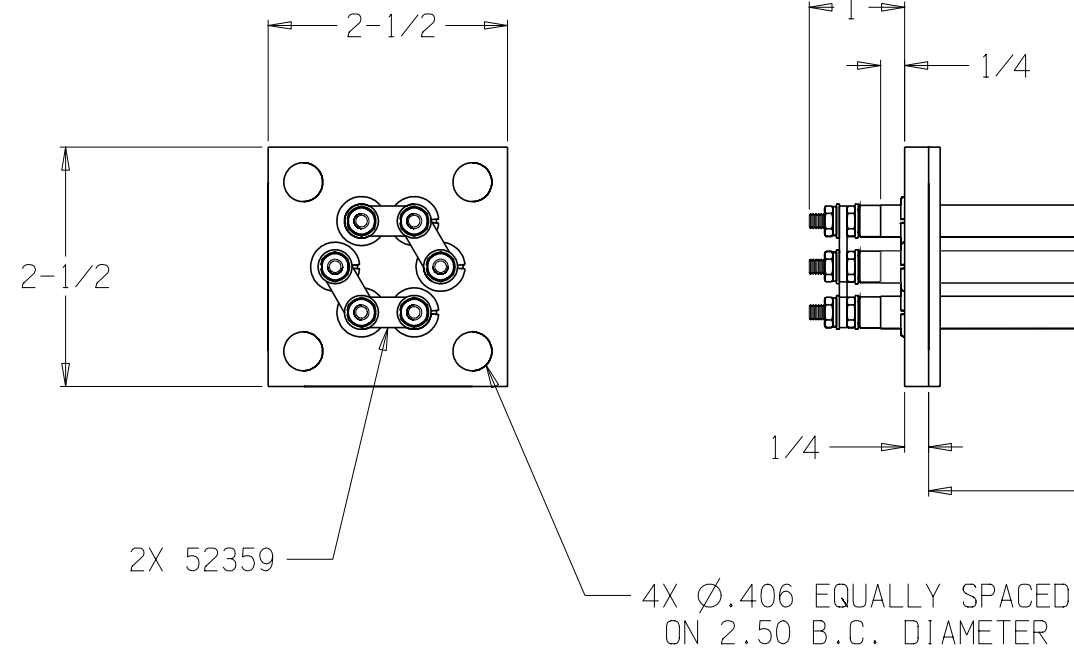
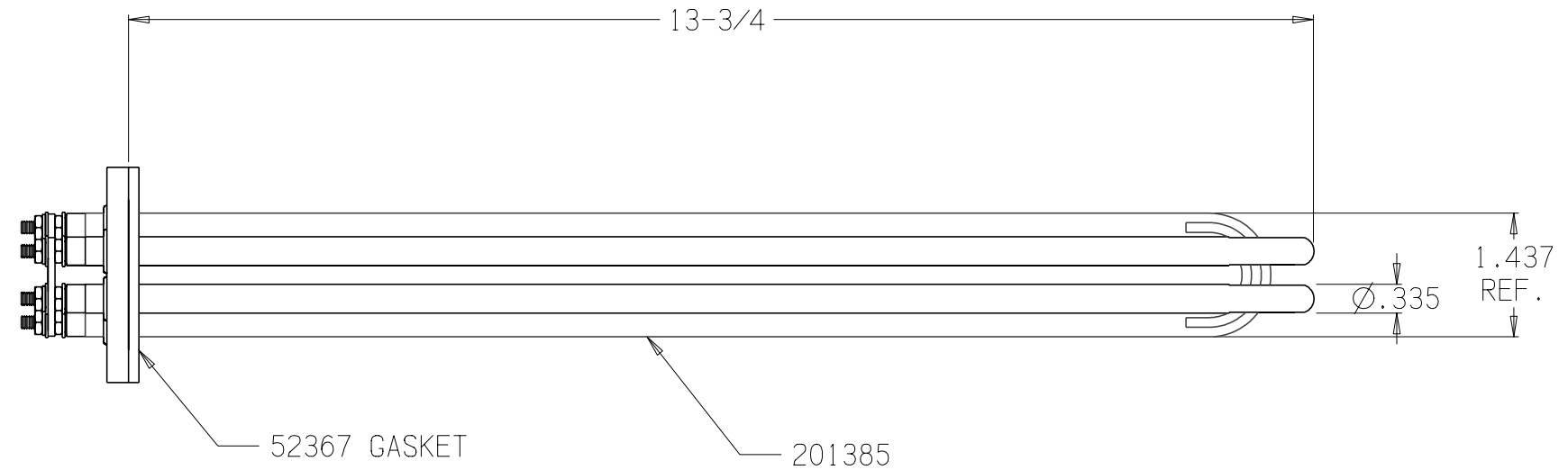


THIS DOCUMENT AND THE DATA DISCLOSED HEREIN OR HEREWITH IS NOT TO BE REPRODUCED, USED, OR DISCLOSED IN WHOLE OR IN PART TO ANYONE WITHOUT THE PERMISSION OF EICHENAUER, INC.

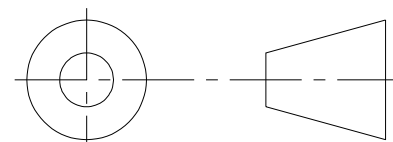
REVISIONS			
LTR/NO	DESCRIPTION	DATE	APPROVED
1	PRODUCTION RELEASE	09/25/09	SJH


NOTES:

1. DIMENSIONS IN INCHES
2. FLANGE MATERIAL: MILD STEEL
3. TUBE MATERIAL: 1.4571
4. TERMINAL PINS: M4 X .7 WITH WASHERS & NUTS AS SHOWN
5. COLD RESISTANCE: $13.1 \Omega \pm 10\%/-5\%$ (12.4 - 14.4) PER TUBE
6. BUSS TO BUSS RESISTANCE: $4.4 \Omega \pm 10\%/-5\%$ (4.1 - 4.8) WHEN ASSEMBLED
7. TUBES SILVER BRAZED TO FLANGE
8. SHEATH WATT DENSITY: 128 W/IN² (SHORT TUBE)



THIRD ANGLE PROJECTION



TOLERANCES UNLESS OTHERWISE SPECIFIED		EICHENAUER INC. 292 Sunapee St., Newport, NH 03773 TEL: 603-863-1454 FAX: 603-863-1248				
DEC	FRACTIONS					ANGLES
.X ± .06		± 1°	TITLE FLANGED TUBULAR HEATER 208V, 9.75KW			
.XX ± .025	± 1/16					
.XXX ± .010			SIZE	FSCM NO.	DWG. NO.	REV.
APPROVALS		DATE	B		300562J	1
DRAWN S. HEBERT		09/25/09	SCALE			
CHECKED			1:1			SHEET 1 of 1