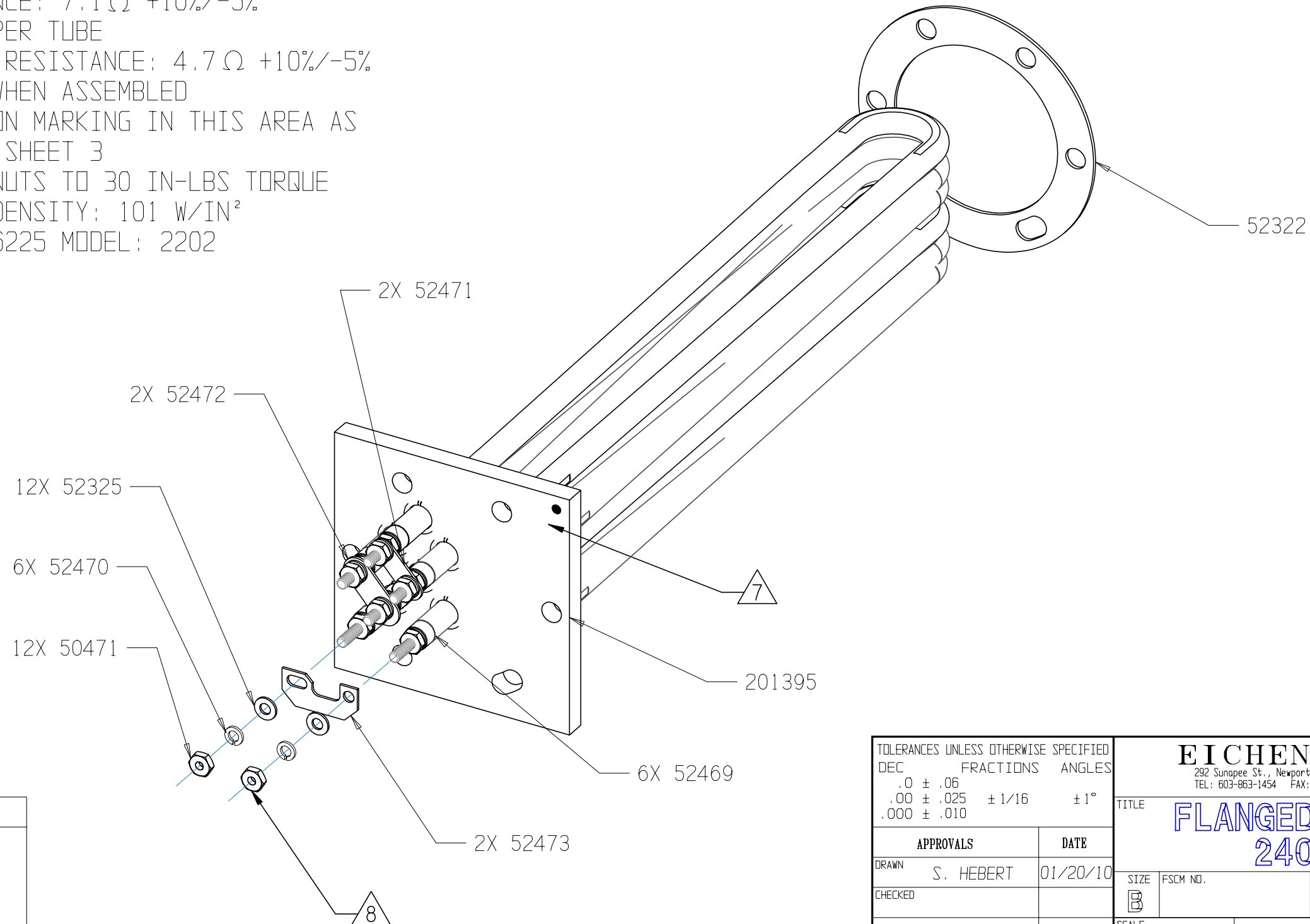


THIS DOCUMENT AND THE DATA DISCLOSED HEREIN OR HEREWITH IS NOT TO BE REPRODUCED, USED, OR DISCLOSED IN WHOLE OR IN PART TO ANYONE WITHOUT THE PERMISSION OF HARTFORD EICHENAUER, INC.

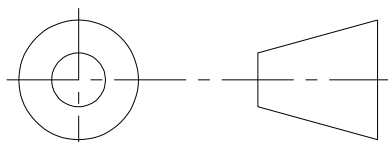
REVISIONS			
LTR/NO	DESCRIPTION	DATE	APPROVED
1	PRODUCTION RELEASE	01/20/10	SJH

NOTES:

1. DIMENSIONS IN INCHES
2. FLANGE MATERIAL: MILD STEEL
3. SHEATH MATERIAL: 1.4571
4. TERMINAL PINS: 10-32 WITH NUTS AND WASHERS AS SHOWN
5. COLD RESISTANCE: 7.1Ω +10%/-5% (6.7 - 7.8) PER TUBE
6. BUSS TO BUSS RESISTANCE: 4.7Ω +10%/-5% (4.5 - 5.2) WHEN ASSEMBLED
7. IDENTIFICATION MARKING IN THIS AREA AS SPECIFIED ON SHEET 3
8. TIGHTEN TOP NUTS TO 30 IN-LBS TORQUE
9. SHEATH WATT DENSITY: 101 W/IN²
10. UL FILE: E76225 MODEL: 2202



THIRD ANGLE PROJECTION



TOLERANCES UNLESS OTHERWISE SPECIFIED	
DEC	FRACTIONS ANGLES
.0 ± .06	
.00 ± .025	± 1/16 ± 1°
.000 ± .010	
APPROVALS	DATE
DRAWN S. HEBERT	01/20/10
CHECKED	

EICHENAUER INC.
 292 Sunapee St., Newport, NH 03773
 TEL: 603-863-1454 FAX: 603-863-1248



FLANGED BOILER HEATER
240V 24KW 3PH

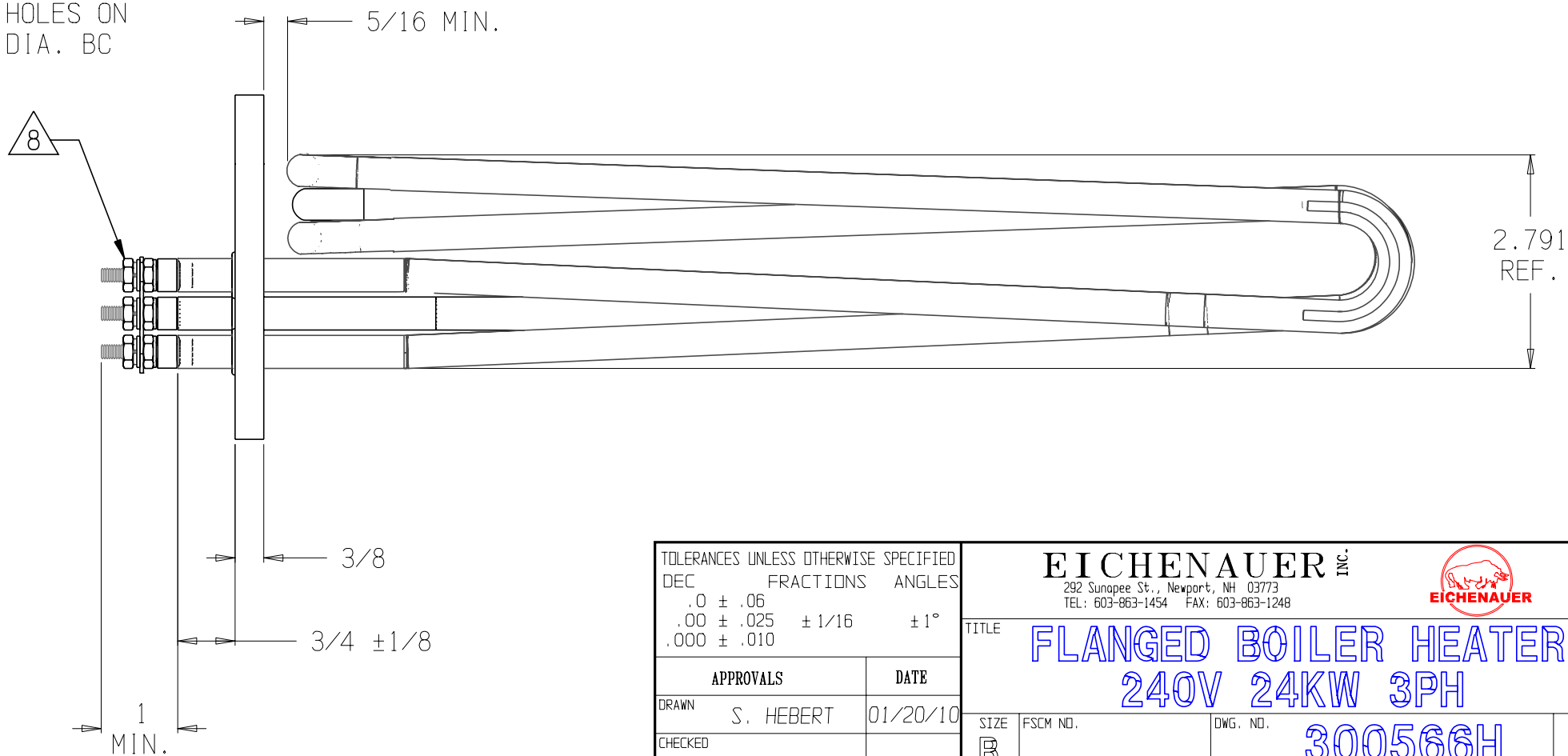
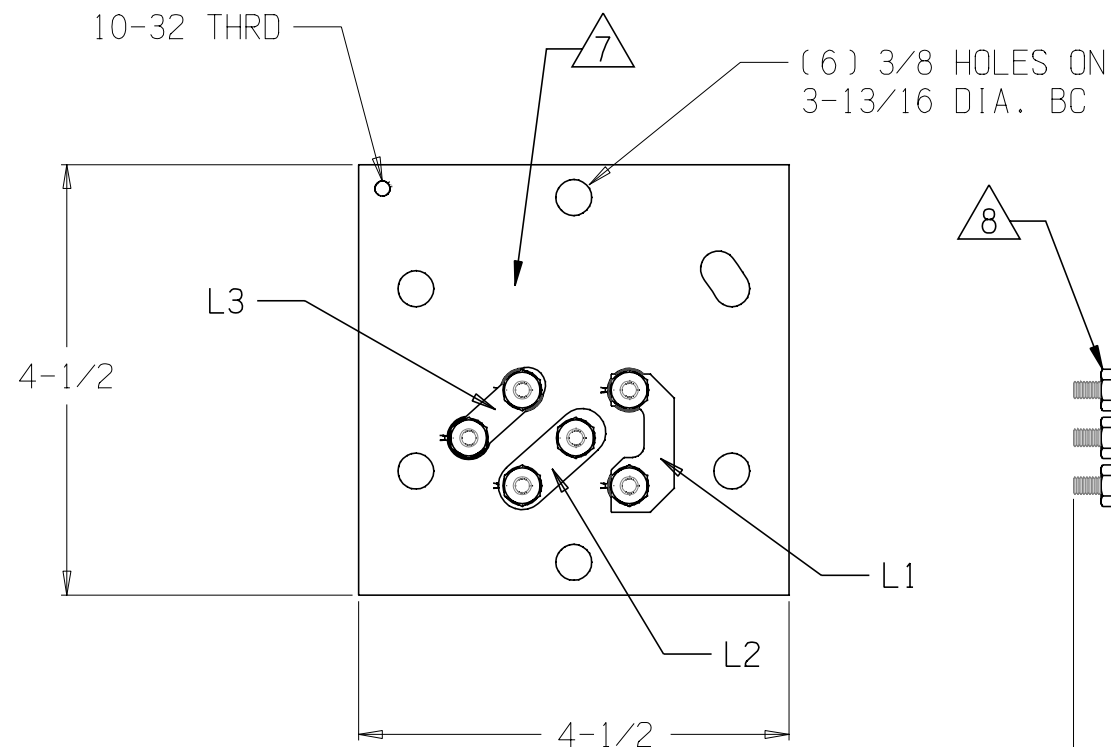
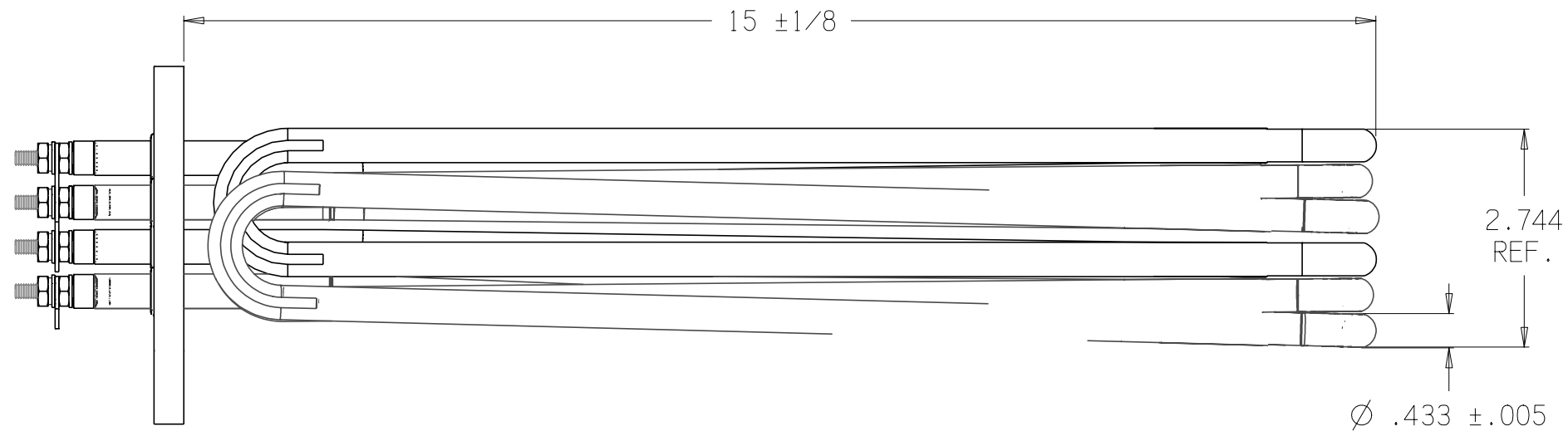
SIZE	FSCM NO.	DWG. NO.	REV.
B		300566H	1
SCALE	SHEET		
1:2	1 of 3		

THIS DOCUMENT AND THE DATA DISCLOSED HEREIN OR HERewith IS NOT TO BE REPRODUCED, USED, OR DISCLOSED IN WHOLE OR IN PART TO ANYONE WITHOUT THE PERMISSION OF HARTFORD EICHENAUER, INC.

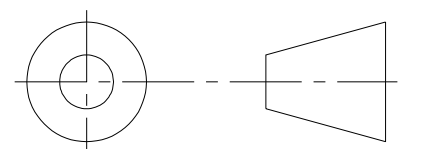
REVISIONS			
LTR/NO	DESCRIPTION	DATE	APPROVED
1	PRODUCTION RELEASE	01/20/10	SJH


NOTES:

1. DIMENSIONS IN INCHES
2. FLANGE MATERIAL: MILD STEEL
3. SHEATH MATERIAL: 1.4571
4. TERMINAL PINS: 10-32 WITH NUTS AND WASHERS AS SHOWN
5. COLD RESISTANCE: $7.1 \Omega \pm 10\% / -5\%$ (6.7 - 7.8) PER TUBE
6. BUSS TO BUSS RESISTANCE: $4.7 \Omega \pm 10\% / -5\%$ (4.5 - 5.2) WHEN ASSEMBLED
7. IDENTIFICATION MARKING IN THIS AREA AS SPECIFIED ON SHEET 3
8. TIGHTEN TOP NUTS TO 30 IN-LBS TORQUE
9. SHEATH WATT DENSITY: 101 W/IN²
10. UL FILE: E76225 MODEL: 2202



THIRD ANGLE PROJECTION



TOLERANCES UNLESS OTHERWISE SPECIFIED		EICHENAUER INC. 292 Sunapee St., Newport, NH 03773 TEL: 603-863-1454 FAX: 603-863-1248		
DEC	FRACTIONS			
.0 ± .06			TITLE	FLANGED BOILER HEATER 240V 24KW 3PH
.00 ± .025	± 1/16	± 1°	SIZE	
.000 ± .010			CHECKED	DWG. NO.
APPROVALS		DATE	300566H	
DRAWN S. HEBERT		01/20/10	SCALE	1:2
SHEET		2 of 3		REV. 1